

Service
Service
Service



1. For repair information on the SD4.00SA DVD Module, refer to Service Manual "DVD Module SD-4.00SA_CH - 3122 785 12480".
2. For repair information on the Subwoofer SW8000SA/00S, refer to Service Manual "SW8000SA/00S/01S/17S - 3139 785 30099".

Service Manual

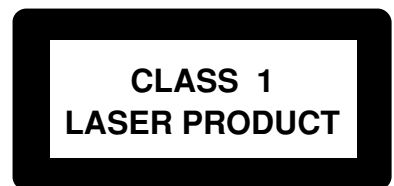
TABLE OF CONTENTS

	Page
Location of pc boards & Version variations	1-2
Technical Specifications	1-3
Measurement setup	1-4
Service Aids, Safety Instruction, etc.	1-5
Reprogramming of DVD version matrix	1-7
Setting the TV system default	1-8
Disassembly Instructions & Service positions	2
Service Test Programs	3
Set Block diagram	4-1
Set Wiring diagram	5-1
Key & Control Boards	6
ECO6 Tuner Board : Systems Cenelec.....	7B
Supply & Main Boards	8
Power Amplifier Board	9
AVC Board	10
P-Scan Board	11
Set Mechanical Exploded view & parts list	12



© Copyright 2003 Philips Consumer Electronics B.V. Eindhoven, The Netherlands
 All rights reserved. No part of this publication may be reproduced, stored in a retrieval system or transmitted, in any form or by any means, electronic, mechanical, photocopying, or otherwise without the prior permission of Philips.

Published by BB 0316 Service Audio Printed in The Netherlands Subject to modification



3139 785 30360

Version 1.0



PHILIPS

SPECIFICATIONS**GENERAL:**

Mains voltage : 110-127V/220-240V Switchable for /21
 120V for /37
 220-230V for /22

Mains frequency : 50/60Hz

Power consumption : < 0.5W at ECO Power Standby
 : < 20W at Standby (DEMO mode off)
 : 160W at Active

Clock accuracy : < 4 seconds per day

Dimension centre unit : 390 x 73 x 360mm

TUNER:**FM**

Tuning range : 87.5-108MHz

Grid : 50kHz
 100kHz for /37

IF frequency : 10.7MHz \pm 25kHz

Aerial input : 75 ohm coaxial

Sensitivity at 26dB S/N : < 7 μ V

Selectivity at 600kHz bandwidth : > 25dB

Image rejection : > 25dB

Distortion at RF=1mV, dev. 75kHz : < 3%

-3dB Limiting point : < 8 μ V

Crosstalk at RF=1mV, dev. 40kHz : > 18dB

MW

Tuning range : 531-1602kHz
 530-1700kHz for /21/37

Grid : 9kHz
 10kHz for /21/37

IF frequency : 450kHz \pm 1kHz

Aerial input : Frame aerial

Sensitivity at 26dB S/N : < 4.0mV/M

Selectivity at 18kHz bandwidth : > 18dB

IF rejection : > 45dB

Image rejection : > 28dB

Distortion at RF=50mV, M=80% : < 5%

AMPLIFIER:

Output power (6 ohm, 1kHz, 10% THD)
 L & R, Center, Surround : 40W RMS / channel

Amplifier Frequency Response (-3dB) : 250Hz-32kHz

SURROUND : Multichannel, Stereo, 3D Sound

SOUND : JAZZ, ROCK, DIGITAL, CLASSIC
 [DRAMA, ACTION, SCI-FI, CONCERT]

[.....] Sound effect available when playing a DVD/VCD disc.

AUDIO INPUTS / OUTPUTS:**Input sensitivity**

Aux in (at 1kHz) : 880mV \pm 3dB

TV in (at 1kHz) : 350mV \pm 3dB

Output sensitivity

Line out (Left/Right) : 0.6V \pm 2dB at 100 kohm

Center out (Vol. Max.) : 500mV \pm 2dB at 47 kohm

Subwoofer out (Vol. Max.) : 0.76V \pm 2dB at 47 kohm

Headphone output at 32 ohm : 660mV \pm 2dB (Vol. Max.)

VIDEO OUTPUTS:

All output terminals to be terminated with 75 ohm.

CVBS Out

CVBS Level : 1Vpp \pm 0.1V

Luminance S/N : \geq 45dB (unweighted)

S-Video Out

Y Level : 1Vpp \pm 0.1V

Y S/N : \geq 48dB (unweighted)

C Level (burst) : 286mVpp +1/-4dB

RGB / YUV Out

Amplitude : 0.7Vpp \pm 0.1V

S/N : \geq 50dB (unweighted)

DIGITAL INPUT / OUTPUT:

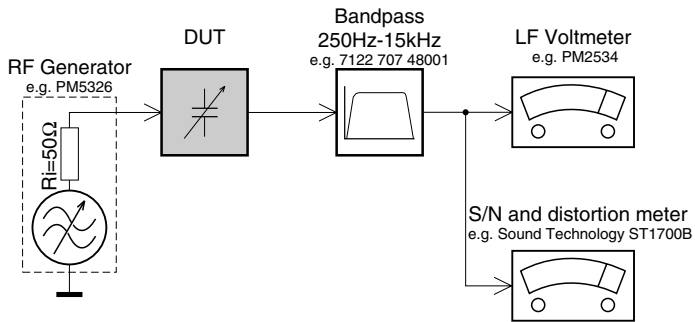
To be terminated with 75 ohm.

Digital in : IEC 60958

Digital out : SPDIF Coaxial

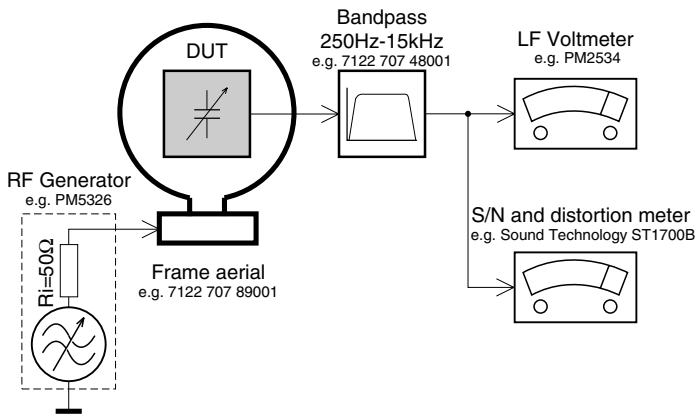
MEASUREMENT SETUP

Tuner FM



Use a bandpass filter to eliminate hum (50Hz, 100Hz) and disturbance from the pilotone (19kHz, 38kHz).

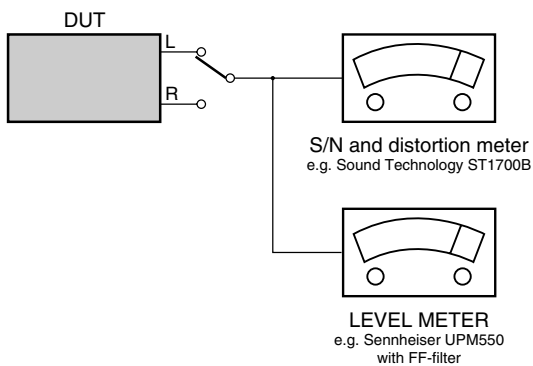
Tuner AM (MW,LW)



To avoid atmospheric interference all AM-measurements have to be carried out in a Faraday's cage.
Use a bandpass filter (or at least a high pass filter with 250Hz) to eliminate hum (50Hz, 100Hz).

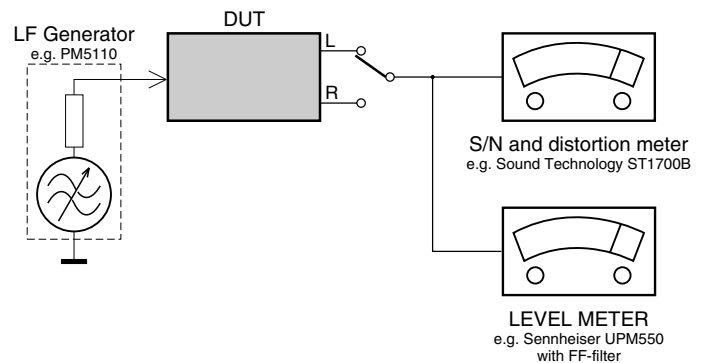
CD

Use Audio Signal Disc SBC429 4822 397 30184
(replaces test disc 3)



Recorder

Use Universal Test Cassette **CrO2** SBC419 4822 397 30069
or Universal Test Cassette **Fe** SBC420 4822 397 30071



SERVICE AIDS

Service Tools:

Universal Torx driver holder	4822 395 91019
Torx bit T10 150mm	4822 395 50456
Torx driver set T6 - T20	4822 395 50145
Torx driver T10 extended	4822 395 50423

Cassette:

SBC419 Test cassette CrO2	4822 397 30069
SBC420 Test cassette Fe	4822 397 30071
MTT150 Dolby level 200nWb/M	4822 397 30271

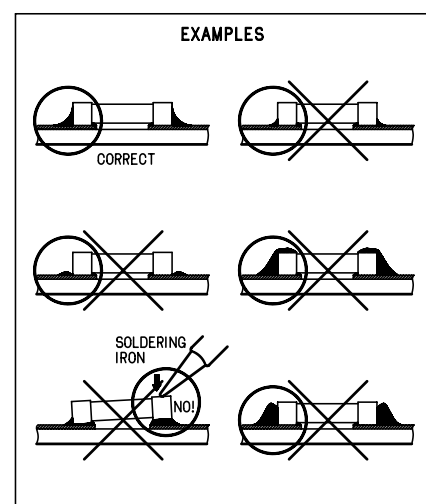
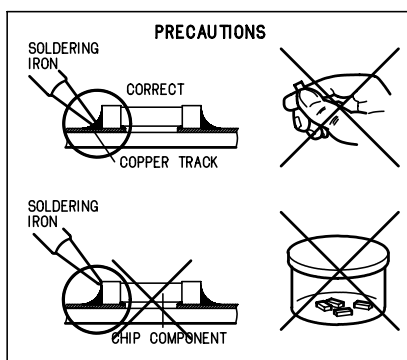
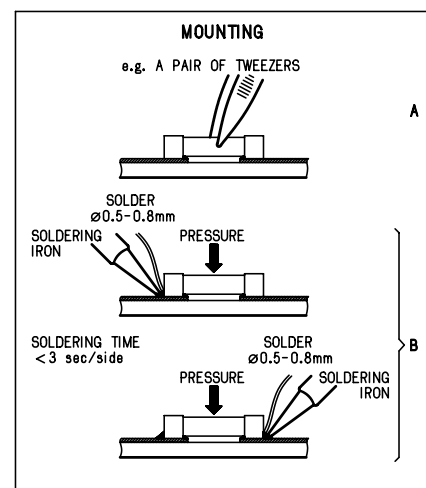
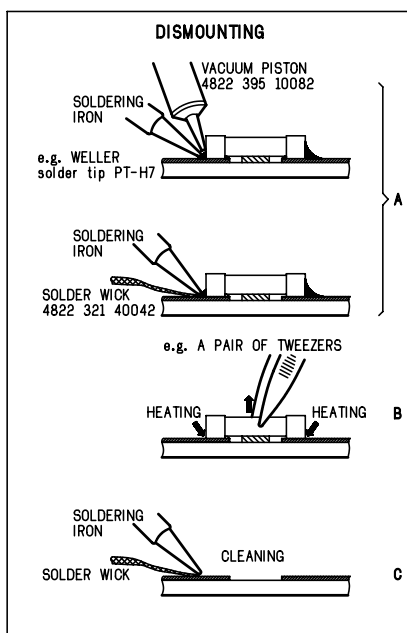
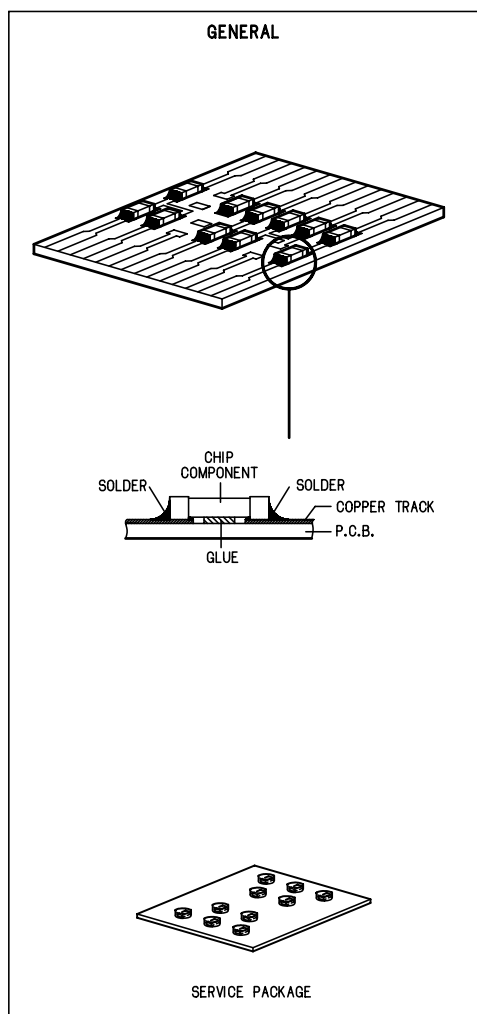
Compact Disc:

SBC426/426A Test disc 5 + 5A	4822 397 30096
SBC442 Audio Burn-in Test disc 1kHz	4822 397 30155
SBC429 Audio Signals disc	4822 397 30184
Dolby Pro-logic Test Disc	4822 395 10216

ESD Equipment:

Anti-static table mat - large 1200x650x1.25mm ...	4822 466 10953
Anti-static table mat - small 600x650x1.25mm	4822 466 10958
Anti-static wristband	4822 395 10223
Connector box (1M Ω)	4822 320 11307
Extension cable (to connect wristband to conn. box)	4822 320 11305
Connecting cable (to connect table mat to conn. box)	4822 320 11306
Earth cable (to connect product to mat or box)	4822 320 11308
Complete kit ESD3 (combining all above products)	4822 320 10671
Wristband tester	4822 344 13999

HANDLING CHIP COMPONENTS



(GB) WARNING

All ICs and many other semi-conductors are susceptible to electrostatic discharges (ESD). Careless handling during repair can reduce life drastically.

When repairing, make sure that you are connected with the same potential as the mass of the set via a wrist wrap with resistance. Keep components and tools also at this potential.

(F) ATTENTION

Tous les IC et beaucoup d'autres semi-conducteurs sont sensibles aux décharges statiques (ESD).

Leur longévité pourrait être considérablement écourtée par le fait qu'aucune précaution n'est prise à leur manipulation.

Lors de réparations, s'assurer de bien être relié au même potentiel que la masse de l'appareil et enfilez le braceleterti d'une résistance de sécurité.

Veiller à ce que les composants ainsi que les outils que l'on utilise soient également à ce potentiel.

(GB)

Safety regulations require that the set be restored to its original condition and that parts which are identical with those specified, be used.

(NL)

Veiligheidsbepalingen vereisen, dat het apparaat bij reparatie in zijn oorspronkelijke toestand wordt teruggebracht en dat onderdelen, identiek aan de gespecificeerde, worden toegepast.

(F)

Les normes de sécurité exigent que l'appareil soit remis à l'état d'origine et que soient utilisées les pièces de rechange identiques à celles spécifiées.

(D)

Bei jeder Reparatur sind die geltenden Sicherheitsvorschriften zu beachten. Der Originalzustand des Geräts darf nicht verändert werden; für Reparaturen sind Original-Ersatzteile zu verwenden.

(I)

Le norme di sicurezza esigono che l'apparecchio venga rimesso nelle condizioni originali e che siano utilizzati i pezzi di ricambio identici a quelli specificati.

"After servicing and before returning set to customer perform a leakage current measurement test from all exposed metal parts to earth ground to assure no shock hazard exist. The leakage current must not exceed 0.5mA."

ESD**(D) WARNUNG**

Alle ICs und viele andere Halbleiter sind empfindlich gegenüber elektrostatischen Entladungen (ESD).
Unvorsichtige Behandlung im Reparaturfall kann die Lebensdauer drastisch reduzieren.
Veranlassen Sie, dass Sie im Reparaturfall über ein Pulsarmband mit Widerstand verbunden sind mit dem gleichen Potential wie die Masse des Gerätes.
Bauteile und Hilfsmittel auch auf dieses gleiche Potential halten.

(NL) WAARSCHUWING

Alle IC's en vele andere halfgeleiders zijn gevoelig voor electrostatische ontladingen (ESD).
Onzorgvuldig behandelen tijdens reparatie kan de levensduur drastisch doen verminderen.
Zorg ervoor dat u tijdens reparatie via een polsband met weerstand verbonden bent met hetzelfde potentiaal als de massa van het apparaat.
Houd componenten en hulpmiddelen ook op ditzelfde potentiaal.

(I) AVVERTIMENTO

Tutti IC e parecchi semi-conduttori sono sensibili alle scariche statiche (ESD).
La loro longevità potrebbe essere fortemente ridotta in caso di non osservazione della più grande cauzione alla loro manipolazione.
Durante le riparazioni occorre quindi essere collegato allo stesso potenziale che quello della massa dell'apparecchio tramite un braccialetto a resistenza.
Assicurarsi che i componenti e anche gli utensili con quali si lavora siano anche a questo potenziale.

"Pour votre sécurité, ces documents doivent être utilisés par des spécialistes agréés, seuls habilités à réparer votre appareil en panne".

**(GB) Warning !**

Invisible laser radiation when open.
Avoid direct exposure to beam.

(S) Varning !

Osynlig laserstrålning när apparaten är öppnad och spärren är urkopplad. Betrakta ej strålen.

(SF) Varoitus !

Avatussa laitteessa ja suojalukituksen ohitettaessa olet alltiina näkymättömälle laserisäteilylle. Älä katso säteeseen!

(DK) Advarse !

Usynlig laserstråling ved åbning når sikkerhedsafbrydere er ude af funktion. Undgå udsættelse for stråling.

Reprogramming of DVD version matrix

Caution:

This information is confidential and may not be distributed. Only a qualified service person should do the reprogramming.

After replacement/repair, the customer settings and also the region code may be lost. Reprogramming will put the set back in the state in which it has left the factory, i.e. with the default settings and the allowed region code.

Reprogramming will be done by way of the Remote Control.
Complete version matrix to be enter is '**PLAY 159 XXX XXX XX PLAY**'.

Do the following steps with the Remote Control:

- 1) Ensure no disc is loaded in the tray.
- 2) Set the Remote Control to **DISC** source.
- 3) Press **<PLAY>** followed by numerical keys **<1> <5> <9>**
Remark: Top left hand corner of the TV screen will display "**X**" for all these 4 keys that you have pressed.
- 4) Press now the following numerical keys (8 digits version matrix):
Remark: Nothing will be displayed on the TV screen for all these 8 digits that you have pressed.

for LX8200SA/22S : **<2> <2> <2> <0> <3> <6> <0> <8>**
- 5) Press **<PLAY>** again.
Caution: Wait for about 3 seconds for the set to reset to the required setting.
The TV screen will turn blue follow by a loud sound at the speaker output.
- 6) Disconnect mains to ensure proper reset.

How to check the version matrix and the software version number of the set:

- 1) Power up the set and select **DISC** source.
- 2) Press **<SYSTEM MENU>** on the Remote Control to enter the User Preference Manual (UPM), follow by pressing the following key:
 - **<Cursor Down>** key 4 times
 - **<Cursor Right>** key 1 time
 - **<Cursor Down>** key 4 times
- 3) Message "(C)PHILIPS 01- 02 5580 W.WW.WW PXXXXXXXXX Y.YY.Y" will be displayed on the TV screen:
 W.WW.WW - indicate the BEA software version number
 PXXXXXXXXX - indicate the version matrix programmed
 Y.YY.Y - indicate the FEA (servo) software version number
- 4) Press **<SYSTEM MENU>** on the Remote control to exit.

Setting the TV system default

- 1) Press **<SYSTEM MENU>** on the Remote Control to enter the User Preference Manual (UPM).
- 2) From the User Preference Manual on the TV screen, select **TV SYSTEM** to change the TV system default accordingly as shown in the table below:

Version	Region	TV system default
/21R	Region 3	AUTO
/21S	Region 4	NTSC
/22S	Region 2	PAL
/30S	Region 4	AUTO
/33S	Region 3	AUTO
/37S	Region 1	NTSC

- 3) Press **<SYSTEM MENU>** on the Remote control to exit.

DISMANTLING INSTRUCTIONS

Dismantling of the Tuner Board and Main Board and AVC Board

- 1) Loosen 6 screws A to remove the Cover Top (pos 260).
 - 2 screws each on the left & right side (see Figure 1)
 - 2 screws on the rear (see Figure 2)
 - See Service position A
- 2) Remove 3 screws B and uncatch 2 catches B1 (see Figure 2) to loosen the Tuner Board (pos 1101).



Figure 1

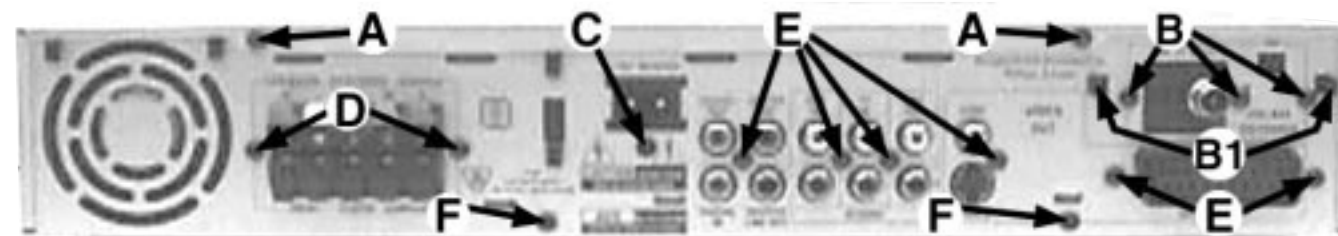


Figure 2

Dismantling of the Tuner Board and Main Board and AVC Board

- 3) Remove the Bracket PCB Mains (pos 259) by pressing the catch C1 inward and slide it up in the direction as shown in Figure 3.
- 4) Remove 1 screw C (see Figure 2) and uncatch 2 catches C2 (see Figure 4) to loosen the Main Board (pos 1104-B).
 - See Service position B

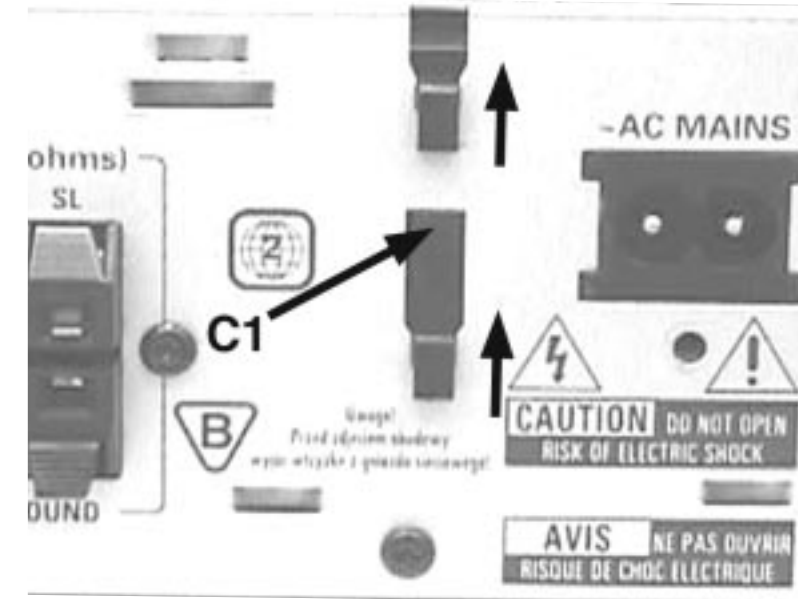


Figure 3

- 5) Remove 2 screws G (see Figure 4) to loosen the Bracket AV PCB (pos 255).
- 6) Remove 6 screws E and 2 screws F (see Figure 2) to loosen the Plate Rear (pos 251) and AVC Board (pos 1102).
 - See Service position D

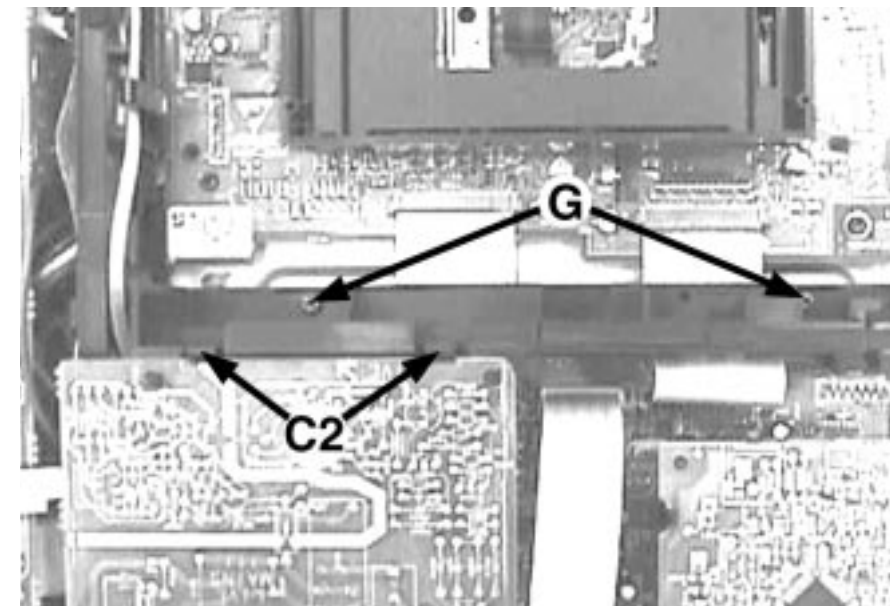


Figure 4

DISMANTLING INSTRUCTIONS

Dismantling of the Supply Board and Power Amplifier Board

- Remove 7 screws D to loosen the Supply Board (pos 1104-A) and Power Amplifier Board (pos 1103).
 - 2 screws on the Plate Rear (see Figure 2)
 - 5 screws on the Plate Bottom (see Figure 5, 6, 7 & 8)
 - See Service position C

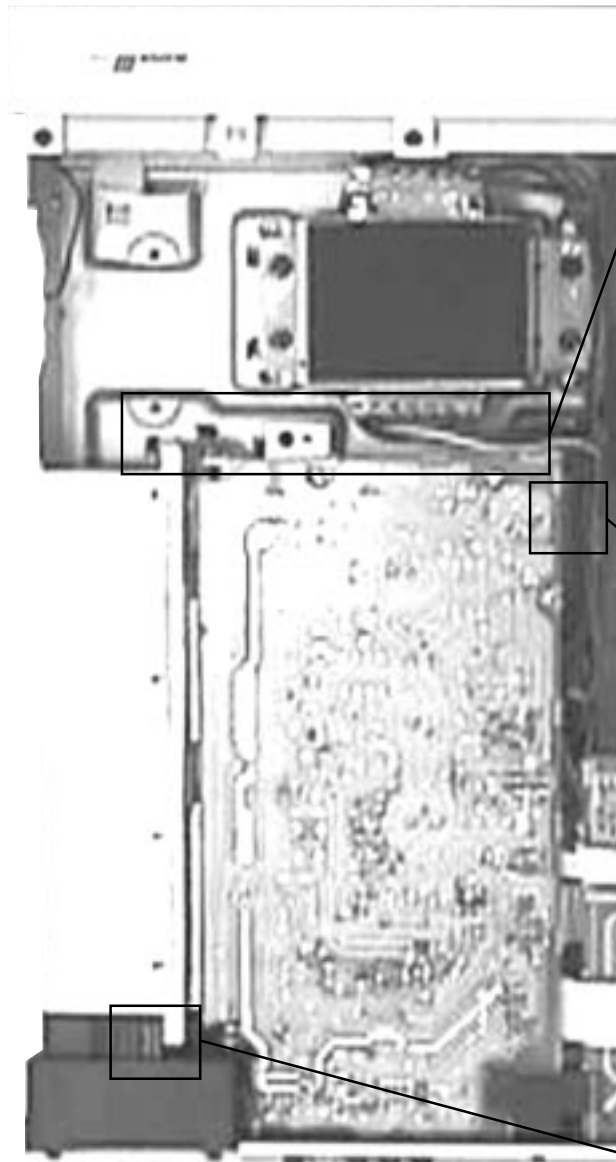


Figure 5

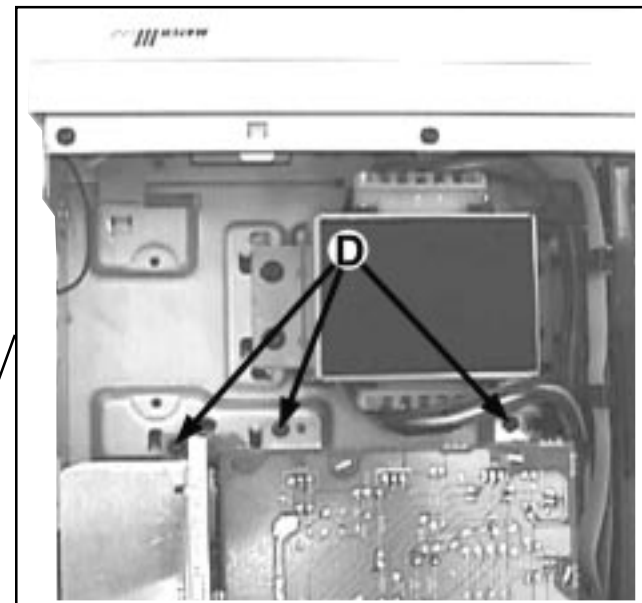


Figure 6

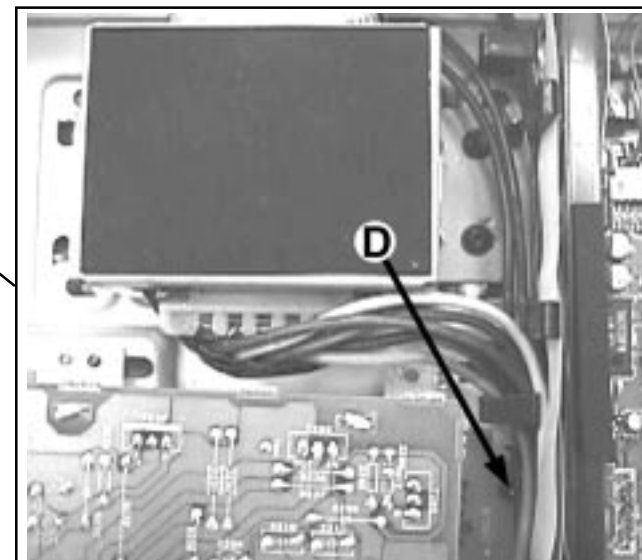


Figure 7

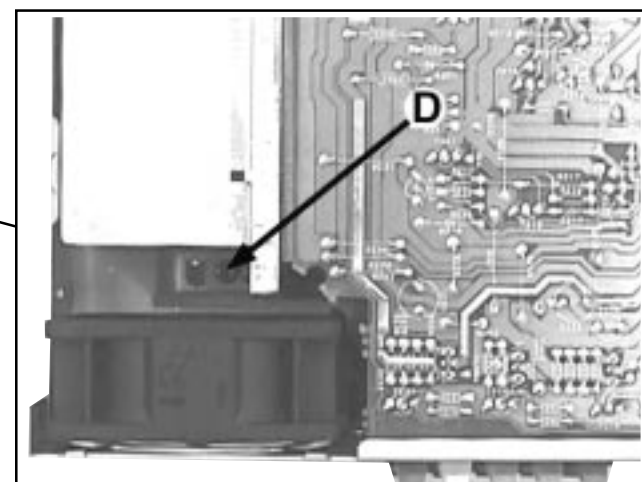


Figure 8

Dismantling of the DVD Module

- Use a Flat Head screw driver to give a push in the direction as shown in Figure 9 to unlock the DVD Tray before sliding it out.



Figure 9

- Slide out the DVD Tray and remove the Cover Tray DVD (pos 105) as shown in Figure 10.

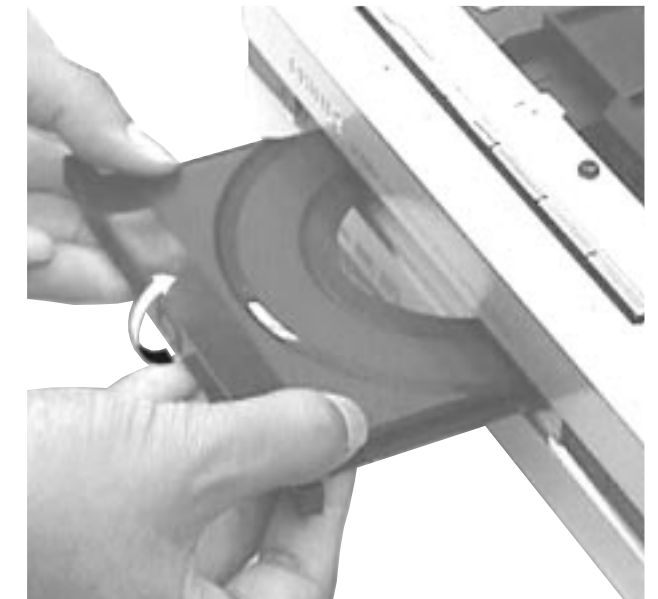


Figure 10

- Slide out the DVD Tray fully and remove 6 screws J (see Figure 11) to loosen the DVD Module (pos 1109).
 - See Service position E

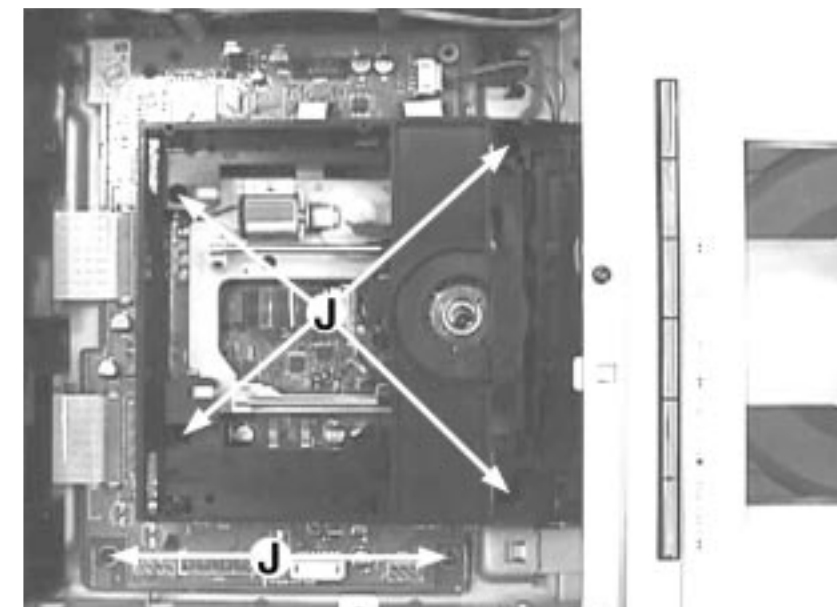


Figure 11

DISMANTLING INSTRUCTIONS

Dismantling of the Front Panel Assembly

- 1) Remove 7 screws H (see Figure 12 and Figure 13) and uncatch 2 catches H1 (see Figure 13) to loosen the Front Panel Assembly from the set.
 - 4 screws on top of the Front Panel Assembly
 - 3 screws and 2 catches H1 at the bottom of the Front Panel Assembly
 - See Service position F
- 2) Make sure to unplug the cable (if obstructed) before separate the Front Panel Assembly from the set (see Figure 14).

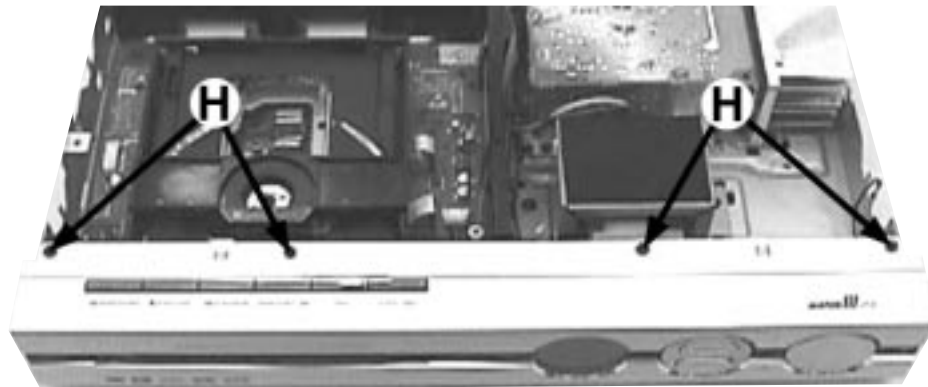


Figure 12

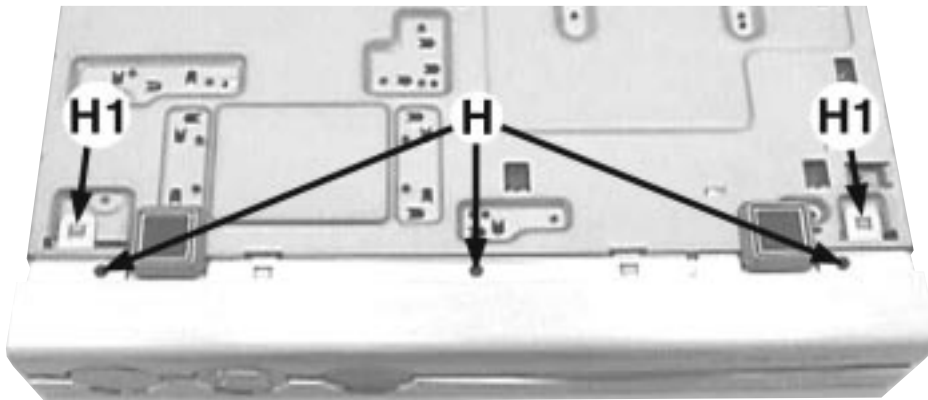


Figure 13

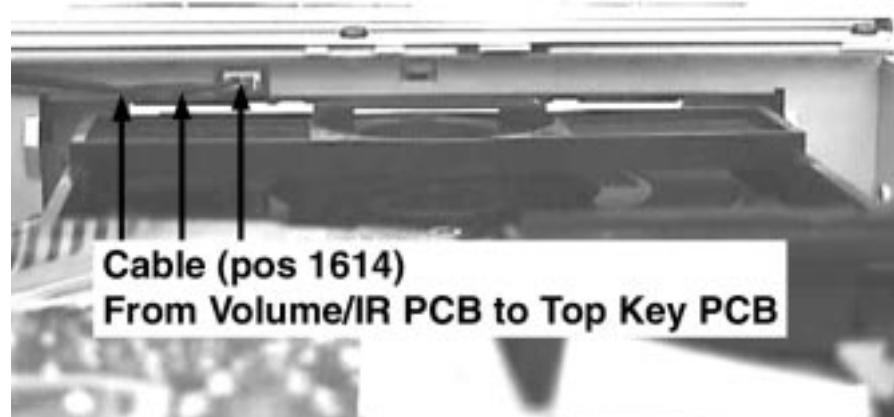


Figure 14

Dismantling of the Key & Control Boards

- 1) Remove 1 screw K (see Figure 15) to loosen the Headphone Board (pos 1105-D).
- 2) Remove 6 screws L (see Figure 15) to loosen the Volume & IR Board (pos 1105-C).
- 3) Remove 2 screws M (see Figure 16) to loosen the Power On/Off Board (pos 1105-A).
- 4) Remove 2 screws N (see Figure 16) to loosen the Bracket LED SACD (pos 109) and SACD LED Board (pos 1105-B).
- 5) Remove 3 screws P (for LX8000SA 2 screws only) and uncatch 2 catches P1 (see Figure 16) to loosen the Top Key Board (pos 1105-E).

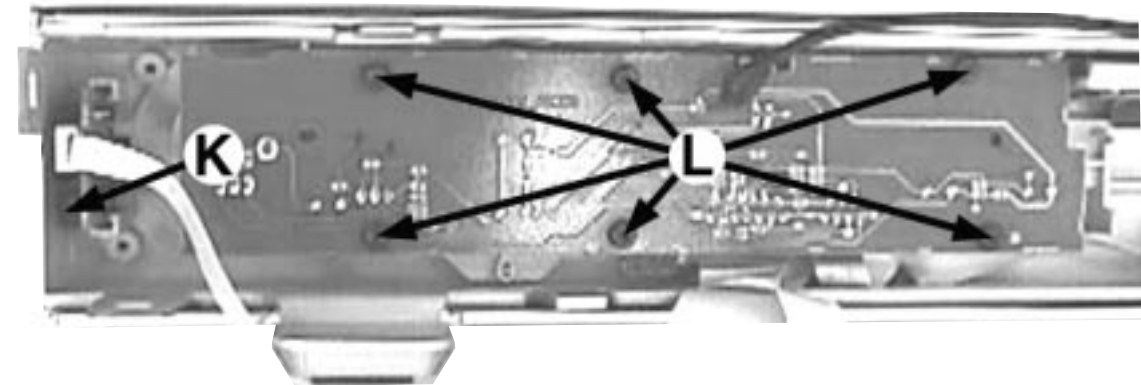


Figure 15

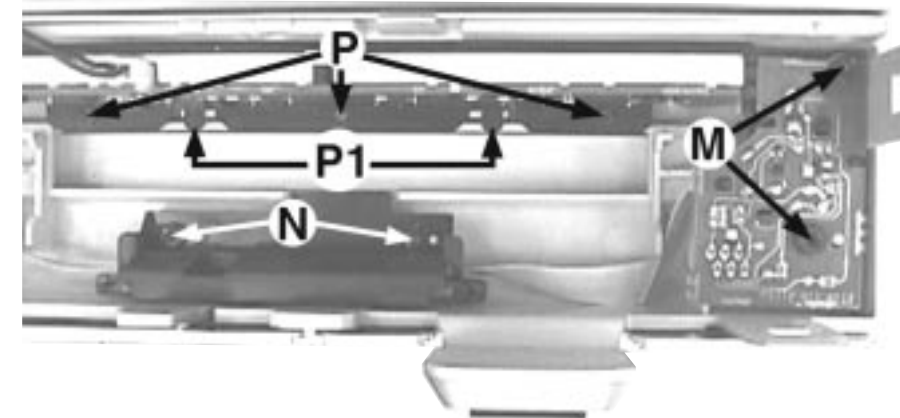


Figure 16

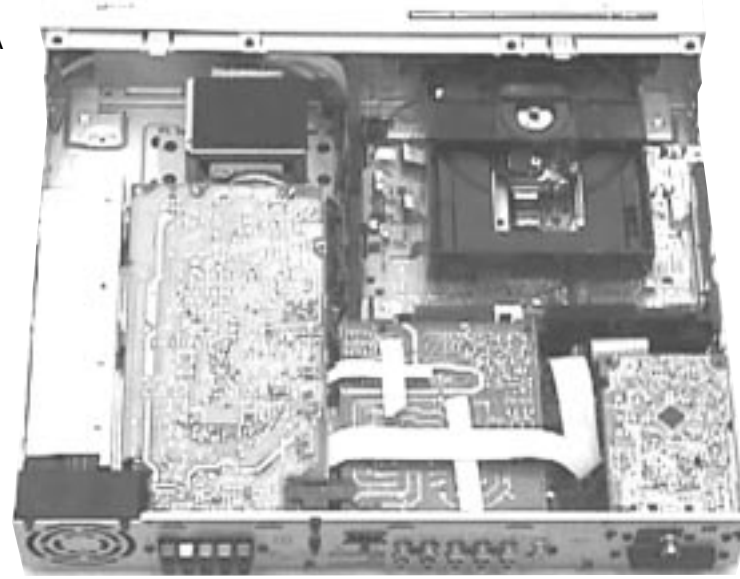
Repair Hints

- 1) During repair it is possible to disconnect the ECO6 Tuner Board completely unless the fault is suspected to be in that area. This will not affect the performance of the rest of the set.
- 2) The flex cables are very fragile, care should be taken not to damage them during repair. After repair, be very sure that the flex cables are inserted properly into the flex sockets before encasing, otherwise faults may occur.

DISMANTLING INSTRUCTIONS

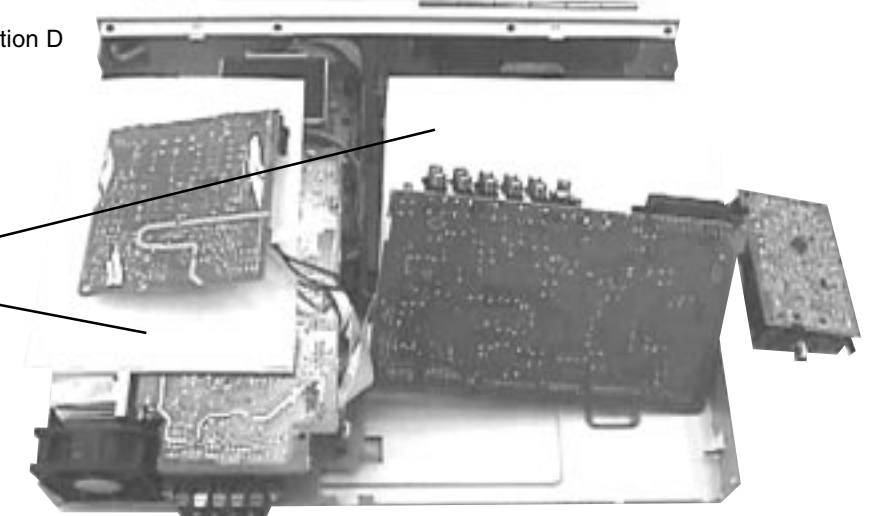
2-4

Service position A



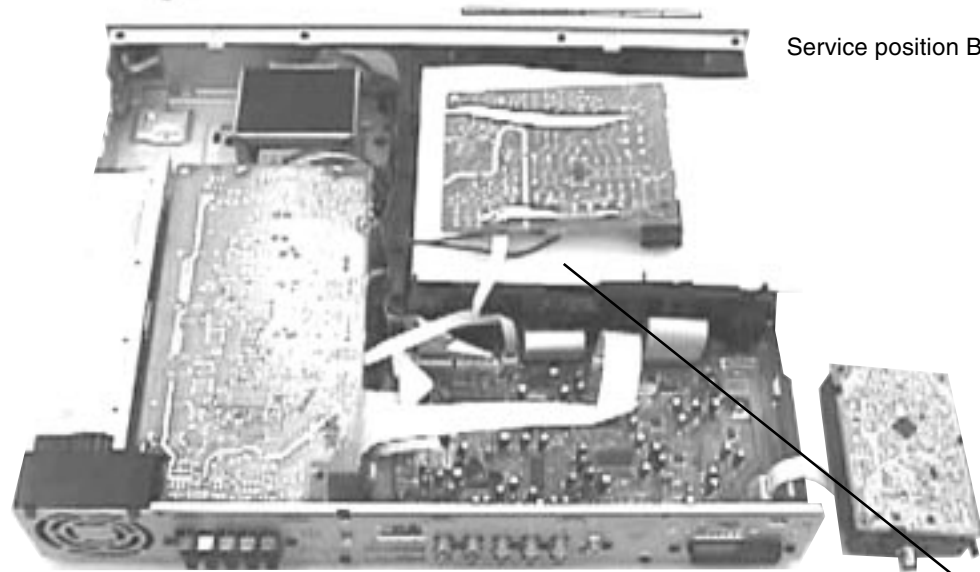
2-4

Service position D

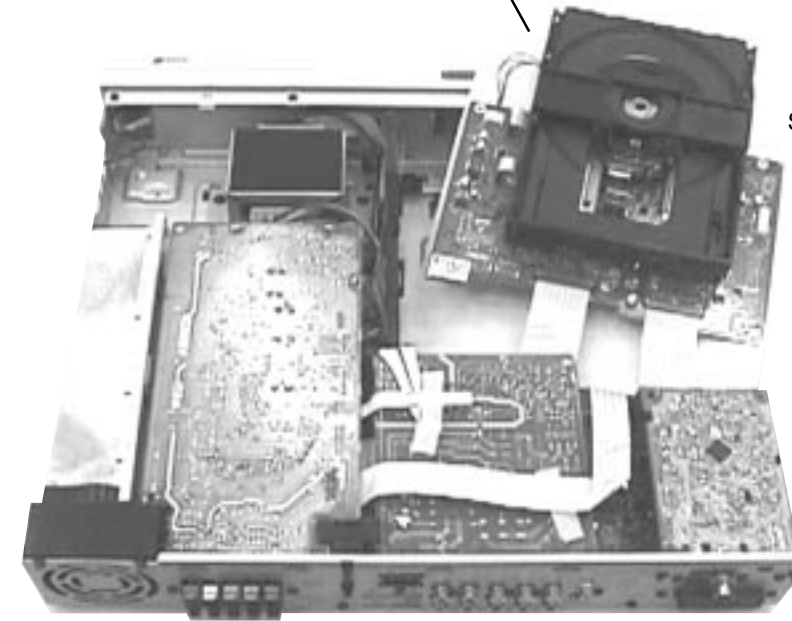


Use a insulation sheet to prevent any damaged or short-circuit of the boards.

Service position B

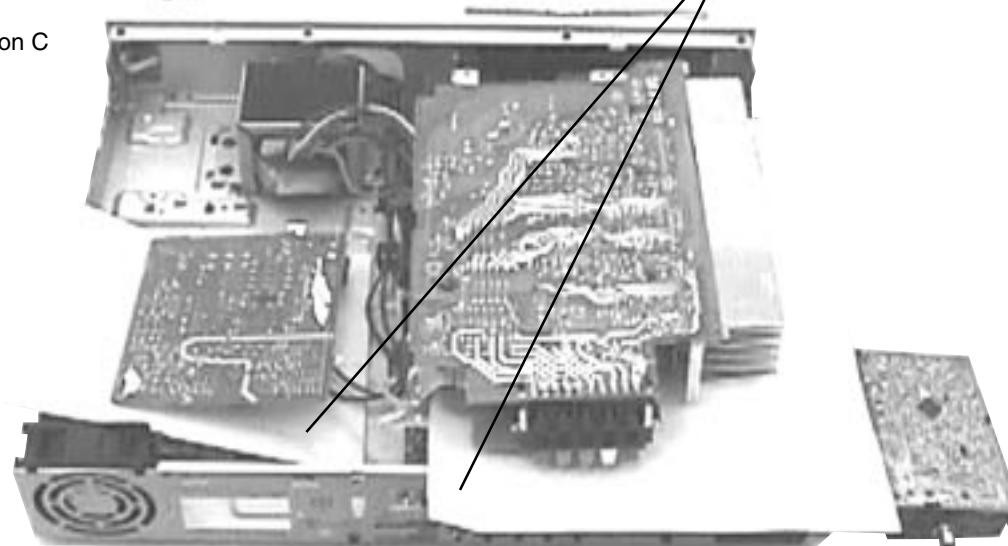


Service position E

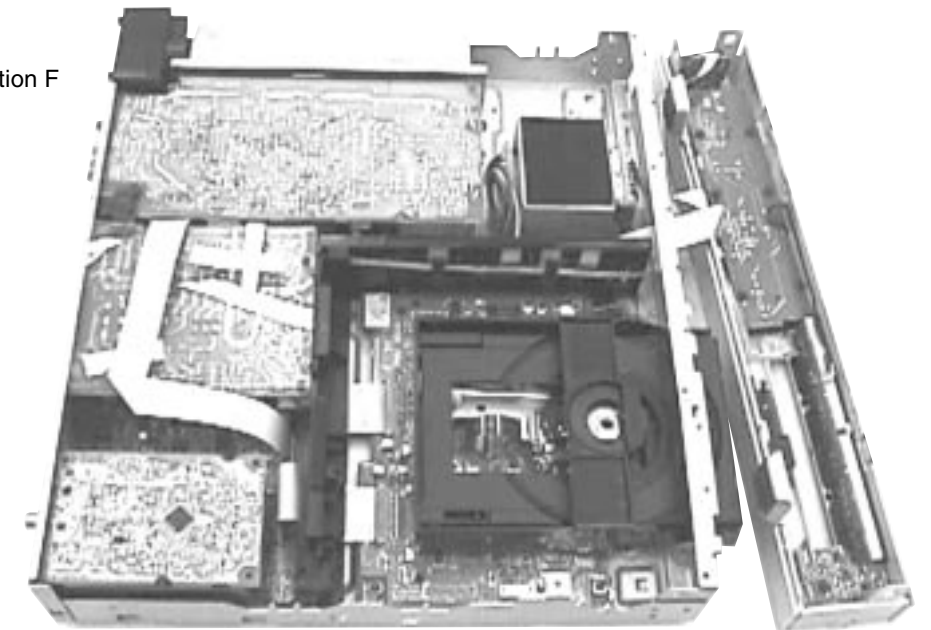


Use a insulation sheet to prevent any damaged or short-circuit of the boards.

Service position C



Service position F



SERVICE TEST PROGRAM

To start service test program hold **▶▶** & **SOURCE** depressed while plugging in the mains cord

Display shows the ROM version "S-Vyy" (Main menu)

S refers to Service Mode
V refers to Version
yy refers to Software version number of the uProcessor (counting up from 01 to 99)

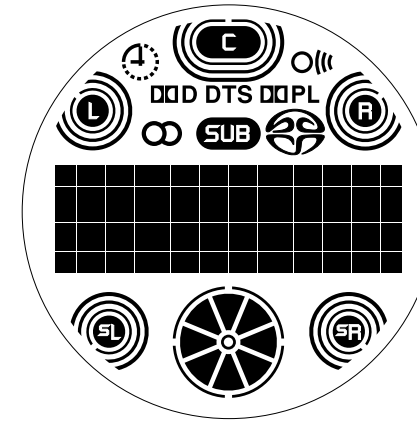
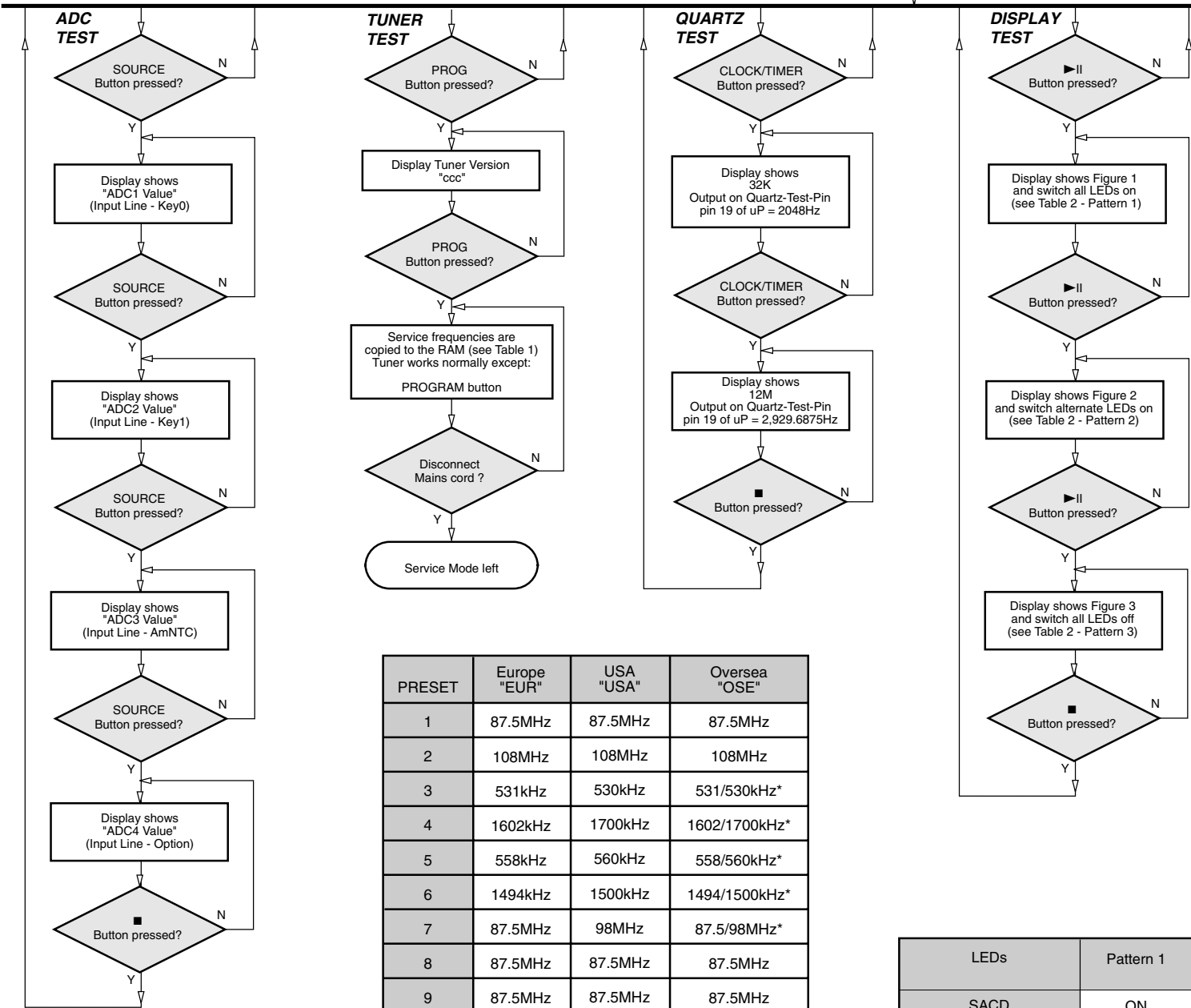


Figure 1

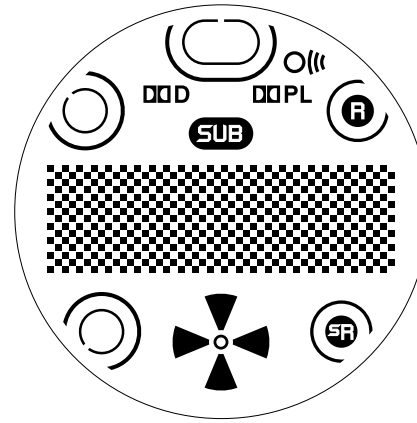


Figure 2

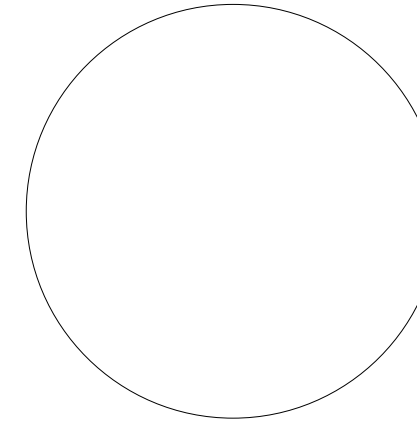


Figure 3

Various other Tests

PRESET	Europe "EUR"	USA "USA"	Oversea "OSE"
1	87.5MHz	87.5MHz	87.5MHz
2	108MHz	108MHz	108MHz
3	531kHz	530kHz	531/530kHz*
4	1602kHz	1700kHz	1602/1700kHz*
5	558kHz	560kHz	558/560kHz*
6	1494kHz	1500kHz	1494/1500kHz*
7	87.5MHz	98MHz	87.5/98MHz*
8	87.5MHz	87.5MHz	87.5MHz
9	87.5MHz	87.5MHz	87.5MHz
10	87.5MHz	87.5MHz	87.5MHz
11	98MHz	87.5MHz	98/87.5MHz*

Table 1

LEDs	Pattern 1	Pattern 2	Pattern 3
SACD	ON	OFF	OFF
STANDBY / ECO POWER	GREEN	RED	OFF
LCD BACKLIGHT	ON	ON	ON

Table 2

Note: * Depending on the selected grid frequency (9 or 10kHz). By holding the "SOURCE" and "PROG" buttons depressed while switching on the Mains supply, the tuning grid frequency is toggled between 9kHz and 10kHz for the Oversea (/21) version.

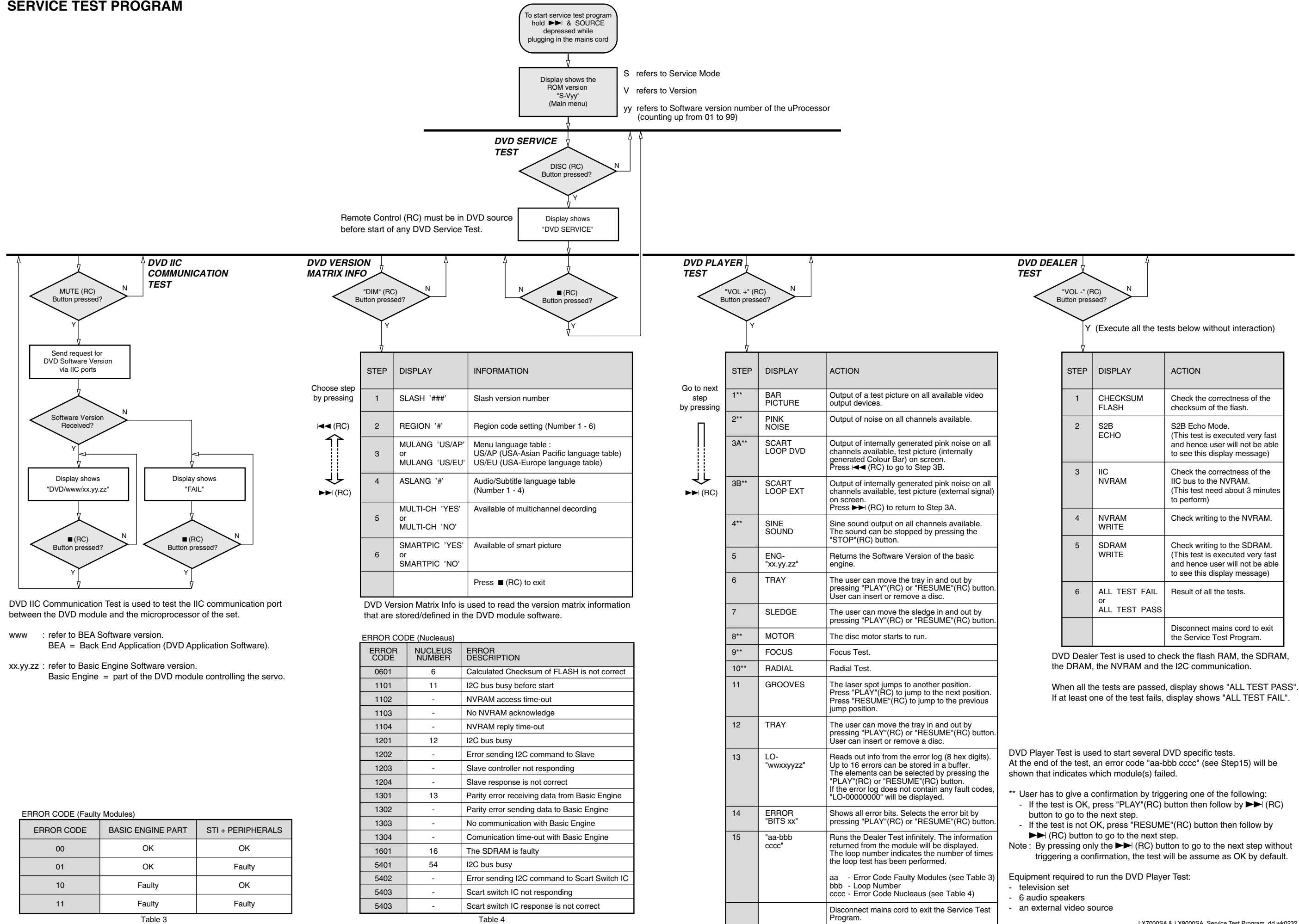
ADC Test is used for checking the ADC inputs to the microprocessor.

The display shows an ADC value between 0 and 255 for an input signal between 0 and 5V.

Note : If the ADC value on the NTC line is below 69, the set will go to standby mode because the temperature is too high.

TEST	Activated with	ACTION
EEPROM TEST	▶▶ ■ to Exit	A test pattern will be sent to the EEPROM. "PASS" is displayed if the uProcessor read back the test pattern correctly, otherwise "FAIL" will be displayed.
EEPROM FORMAT TEST	◀◀	Load default data. Display shows "NEW" for 1 second. Caution! All presets from the customer will be lost!!
AUTO STANDBY TOGGLE	CENTER - (RC)	Pressing this button will toggle between the status "AUTO STANDBY ON" and "AUTO STANDBY OFF". The status will scroll once across the Display.
ROTARY ENCODER TEST	Rotary Volume Knob	Display shows value for 2 seconds. Values increases or decreases in steps of 1 until 0 (Volume Min.) or 40 (Volume Max.) is reached.
LEAVE SERVICE TEST PROGRAM	Disconnect mains cord	

SERVICE TEST PROGRAM



DVD IIC Communication Test is used to test the IIC communication port between the DVD module and the microprocessor of the set.

www : refer to BEA Software version.
BEA = Back End Application (DVD Application Software).

xx.yy.zz : refer to Basic Engine Software version.
Basic Engine = part of the DVD module controlling the servo.

ERROR CODE (Faulty Modules)

ERROR CODE	BASIC ENGINE PART	ST1 + PERIPHERALS
00	OK	OK
01	OK	Faulty
10	Faulty	OK
11	Faulty	Faulty

Table 3

DVD Version Matrix Info is used to read the version matrix information that are stored/defined in the DVD module software.

ERROR CODE (Nucleaus)

ERROR CODE	NUCLEUS NUMBER	ERROR DESCRIPTION
0601	6	Calculated Checksum of FLASH is not correct
1101	11	I2C bus busy before start
1102	-	NVRAM access time-out
1103	-	No NVRAM acknowledge
1104	-	NVRAM reply time-out
1201	12	I2C bus busy
1202	-	Error sending I2C command to Slave
1203	-	Slave controller not responding
1204	-	Slave response is not correct
1301	13	Parity error receiving data from Basic Engine
1302	-	Parity error sending data to Basic Engine
1303	-	No communication with Basic Engine
1304	-	Communication time-out with Basic Engine
1601	16	The SDRAM is faulty
5401	54	I2C bus busy
5402	-	Error sending I2C command to Scart Switch IC
5403	-	Scart switch IC not responding
5403	-	Scart switch IC response is not correct

Table 4

DVD Dealer Test is used to check the flash RAM, the SDRAM, the DRAM, the NVRAM and the I2C communication.

When all the tests are passed, display shows "ALL TEST PASS".
If at least one of the test fails, display shows "ALL TEST FAIL".

DVD Player Test is used to start several DVD specific tests. At the end of the test, an error code "aa-bbb cccc" (see Step15) will be shown that indicates which module(s) failed.

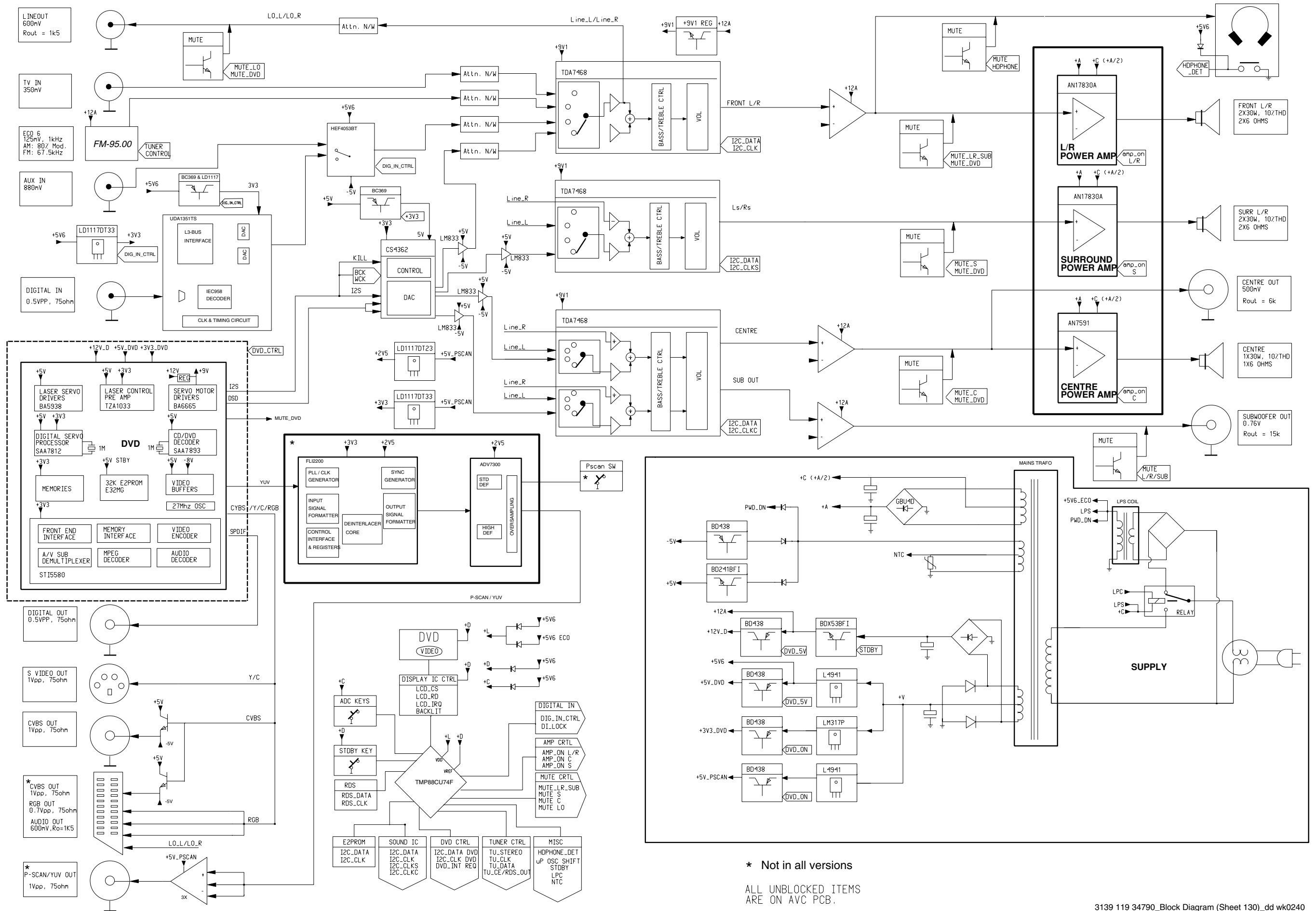
- ** User has to give a confirmation by triggering one of the following:
- If the test is OK, press "PLAY"(RC) button then follow by >>> (RC) button to go to the next step.
 - If the test is not OK, press "RESUME"(RC) button then follow by >>> (RC) button to go to the next step.

Note : By pressing only the >>> (RC) button to go to the next step without triggering a confirmation, the test will be assume as OK by default.

Equipment required to run the DVD Player Test:

- television set
- 6 audio speakers
- an external video source

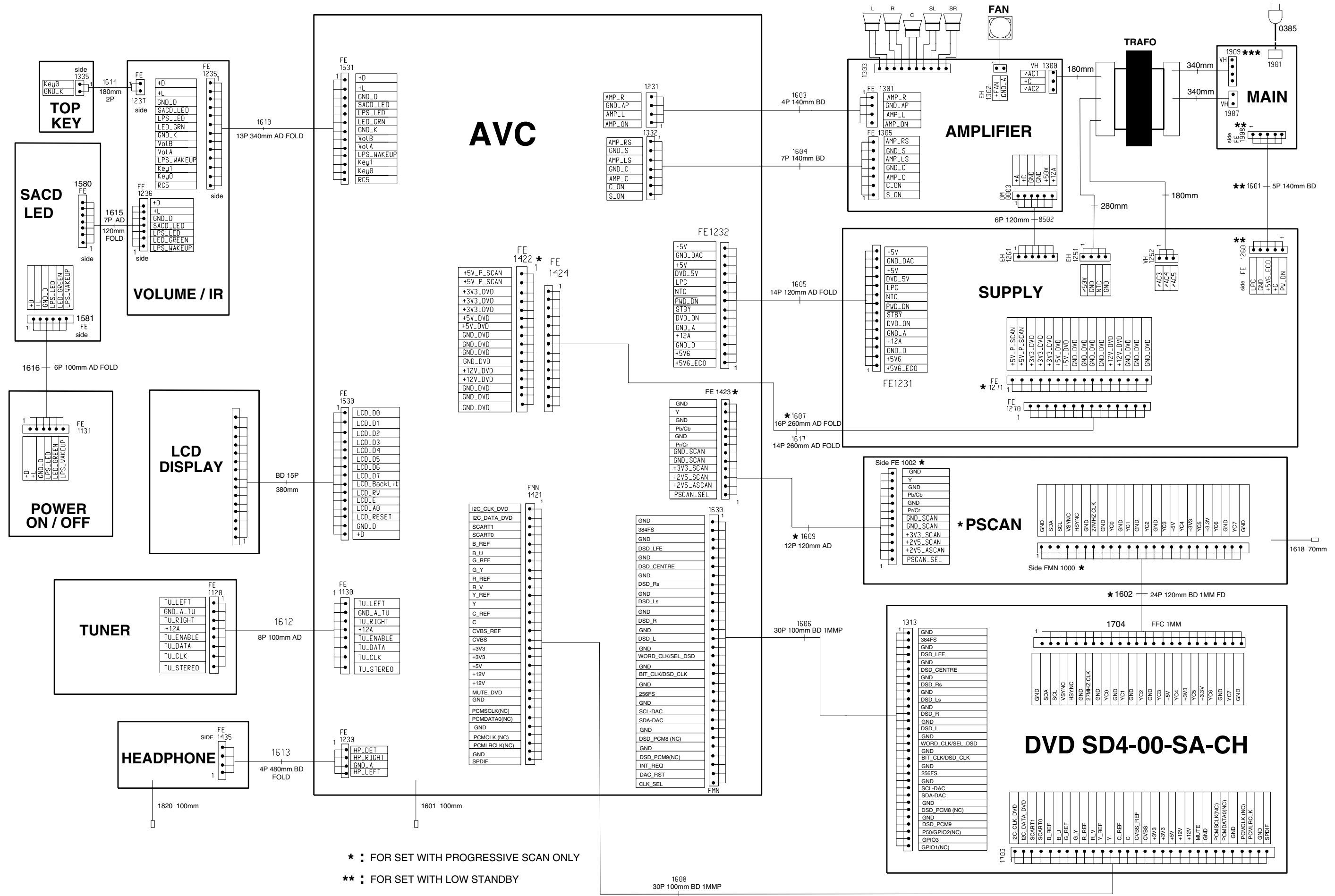
SET BLOCK DIAGRAM



* Not in all versions

ALL UNBLOCKED ITEMS ARE ON AVC PCB.

SET WIRING DIAGRAM



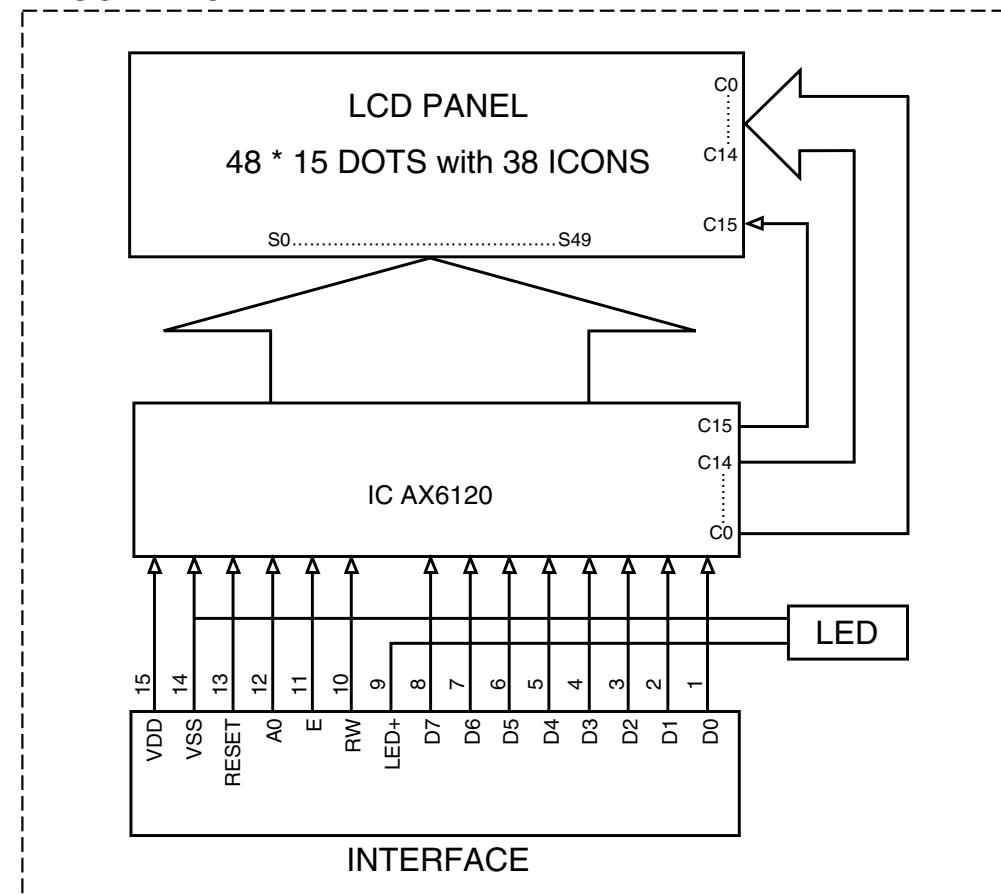
LCD MODULE

KEY & CONTROL BOARDS

TABLE OF CONTENTS

LCD Module - Block diagram 6-1
 LCD Module - Interface Pin Function 6-1
 Top Key Part - Layout & Circuit diagram 6-2
 SACD LED Part - Layout & Circuit diagram 6-3
 Volume & IR Part - Component & Chip layout 6-4
 Volume & IR Part - Circuit diagram 6-5
 Headphone Part - Layout & Circuit diagram 6-6
 Power ON/OFF Part - Layout & Circuit diagram 6-6
 Electrical parts list 6-7

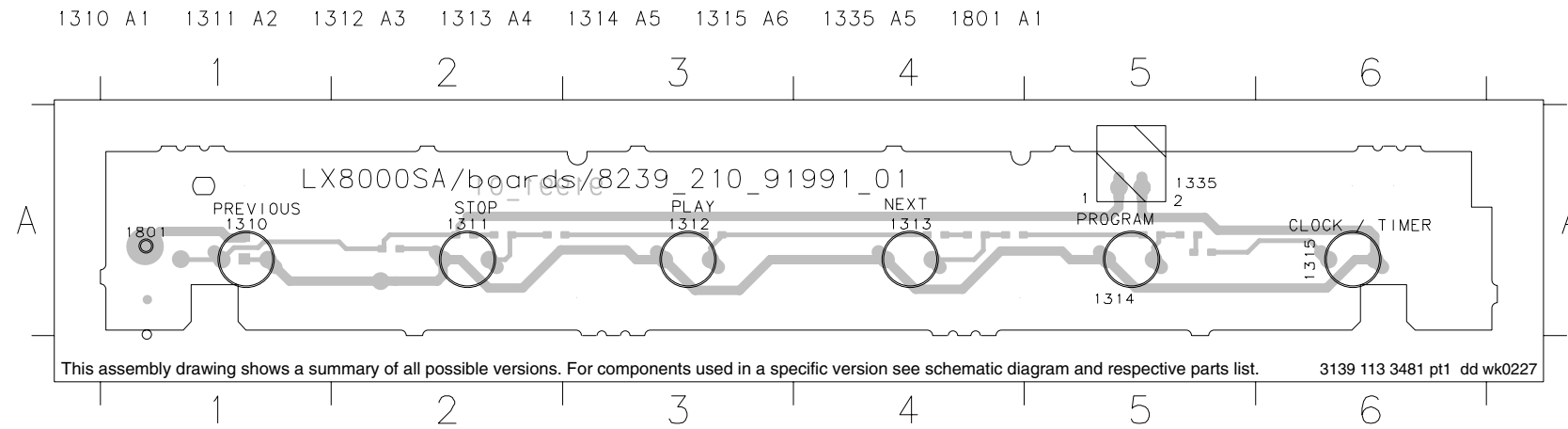
BLOCK DIAGRAM



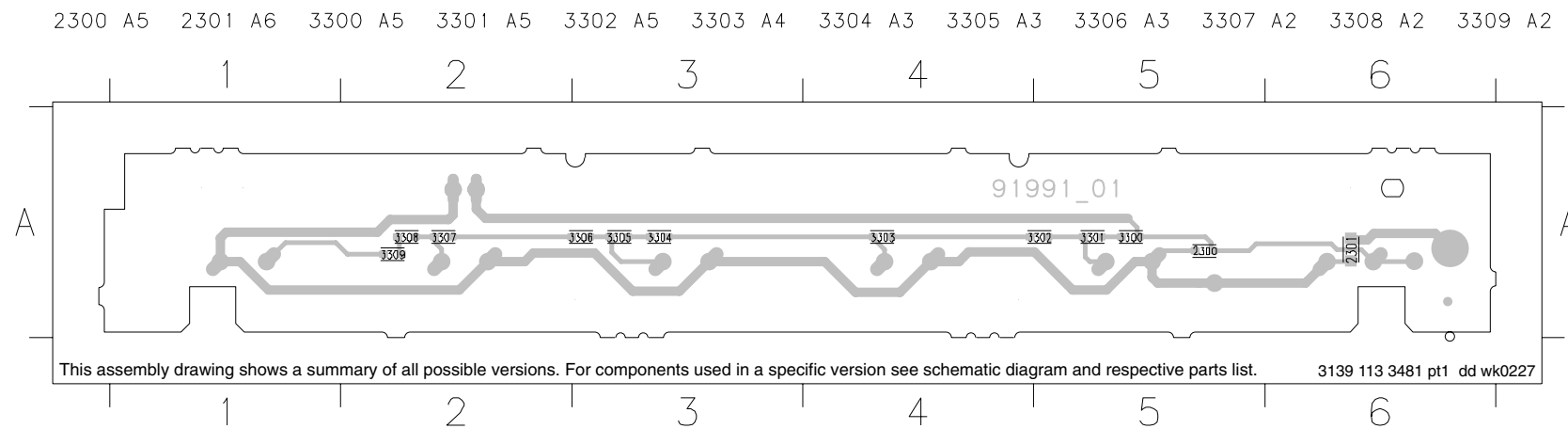
INTERFACE PIN FUNCTION

NO	SYMBOL	I/O	FUNCTION
1.	DB0	I/O	Data Bus
2.	DB1	I/O	Data Bus
3.	DB2	I/O	Data Bus
4.	DB3	I/O	Data Bus
5.	DB4	I/O	Data Bus
6.	DB5	I/O	Data Bus
7.	DB6	I/O	Data Bus
8.	DB7	I/O	Data Bus
9.	LED+	P	Power Supply for LED
10.	RW	I	Read/Write Execution Control
11.	E	I	Read/Write Start Signal
12.	A0	I	Register Select input
13.	RESET	I	Reset Input Pin
14.	VSS (LED-)	P	GND
15.	VDD	P	Power Supply for Logic

TOP KEY BOARD - COMPONENT LAYOUT

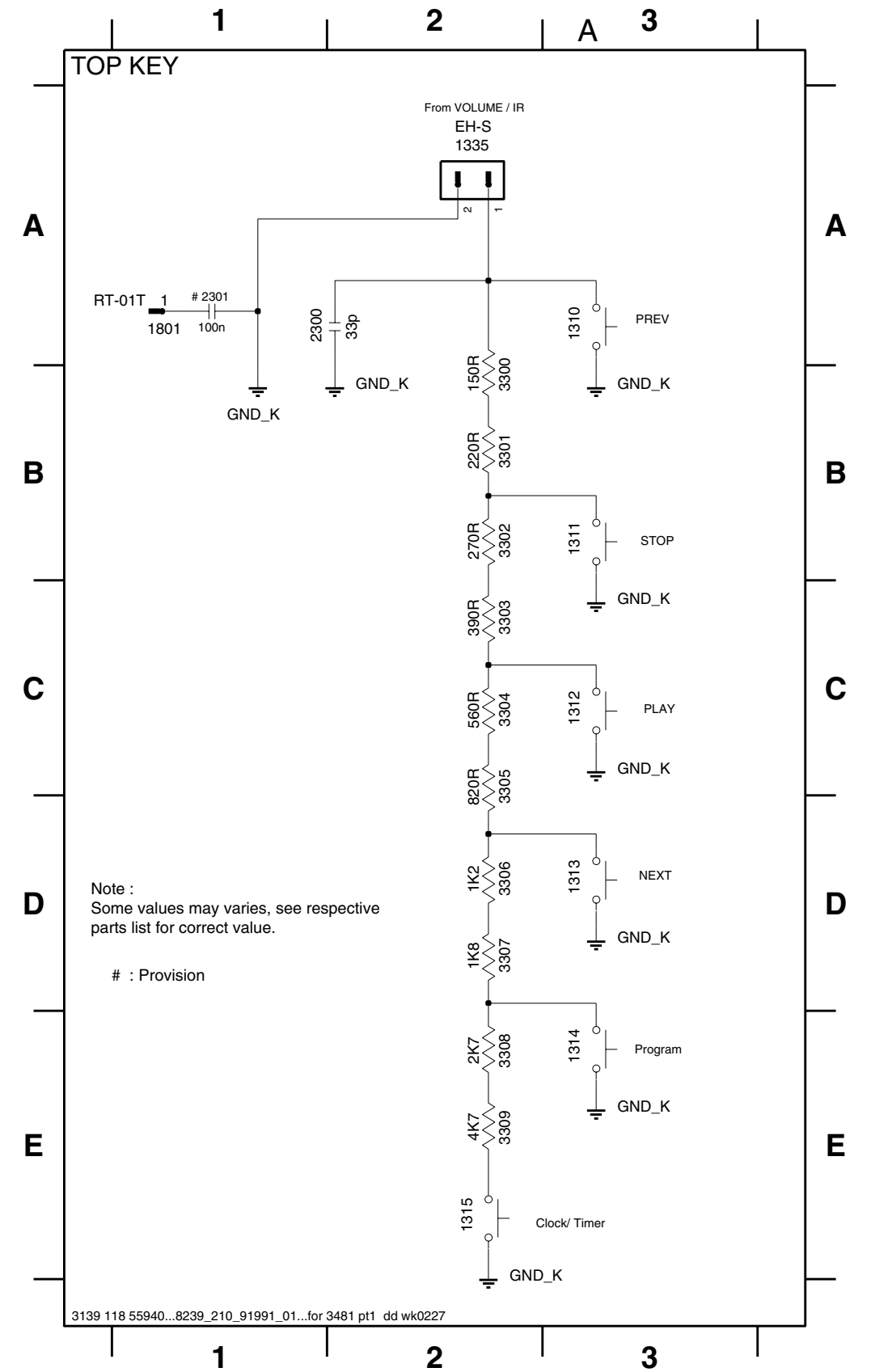


TOP KEY BOARD - CHIP LAYOUT

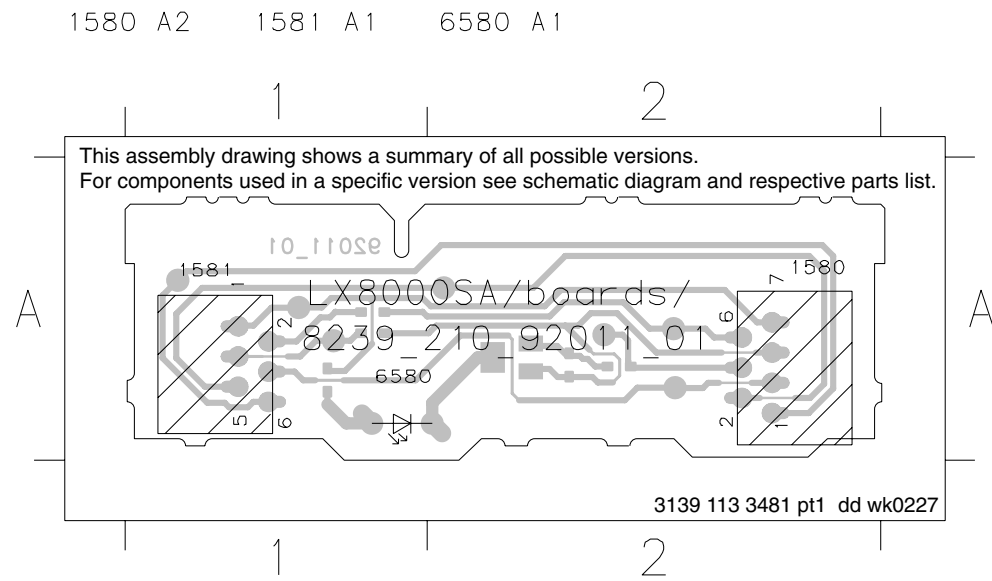


TOP KEY BOARD - CIRCUIT DIAGRAM

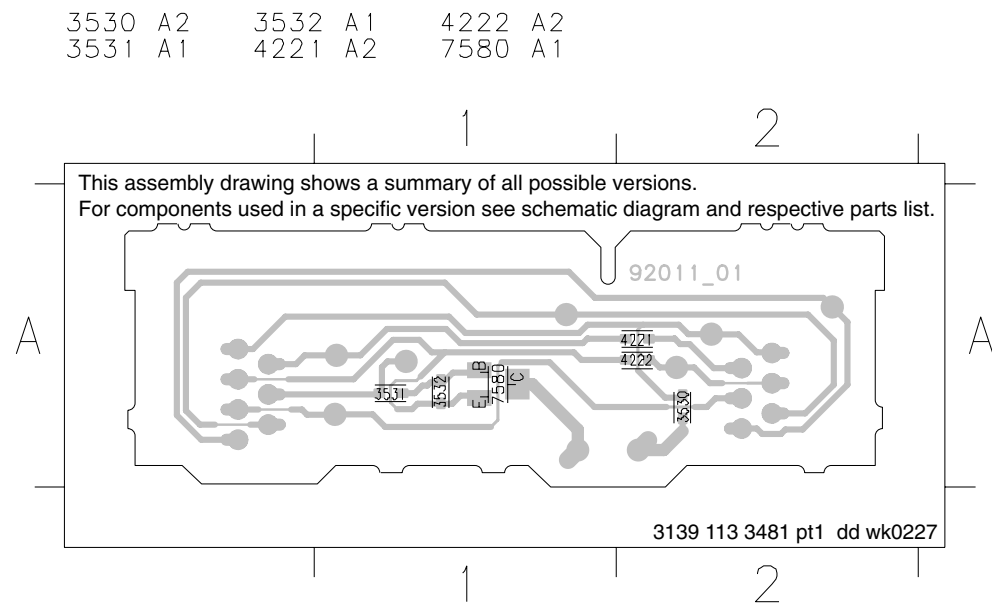
1310 A3	1313 D3	1335 A2	2301 A1	3302 B2	3305 C2	3308 E2
1311 B3	1314 E3	1801 A1	3300 B2	3303 C2	3306 D2	3309 E2
1312 C3	1315 E2	2300 A1	3301 B2	3304 C2	3307 D2	



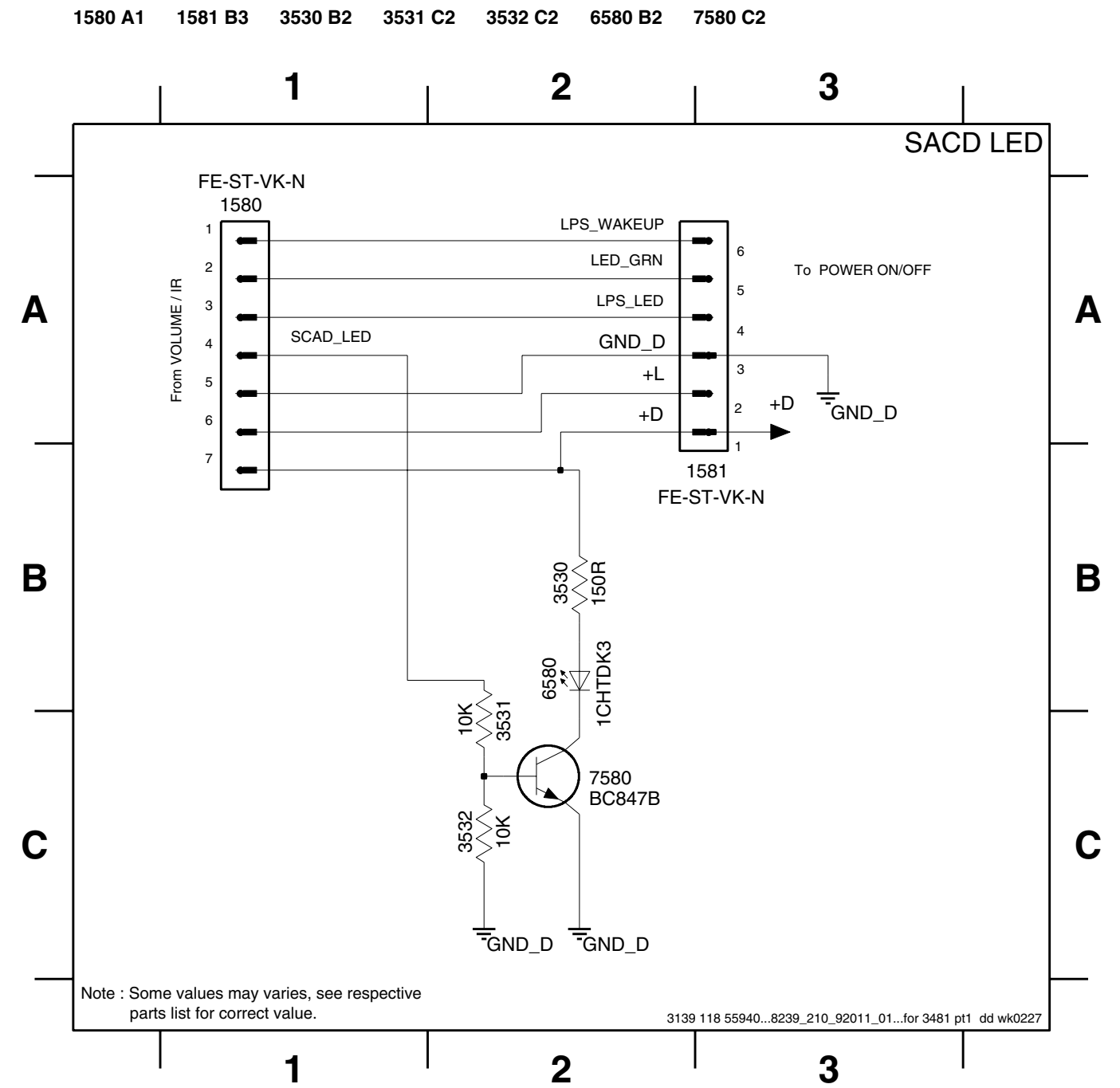
SACD LED BOARD - COMPONENT LAYOUT



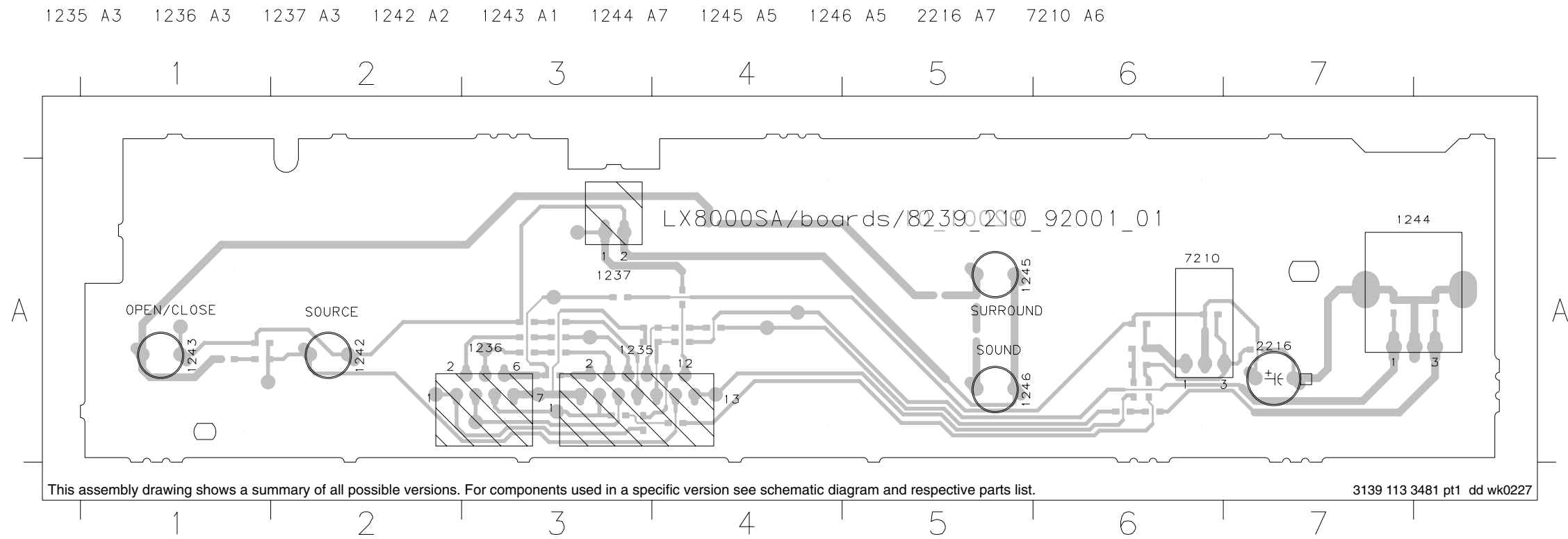
SACD LED BOARD - CHIP LAYOUT



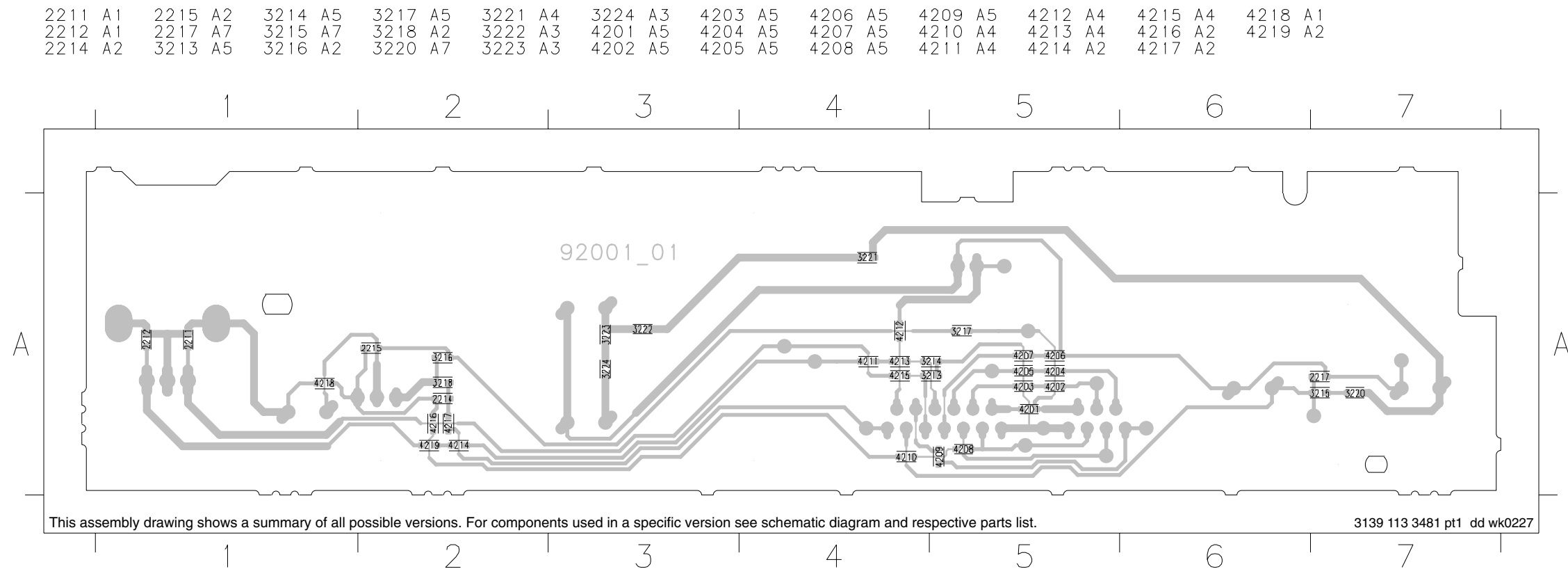
SACD LED BOARD - CIRCUIT DIAGRAM



VOLUME & IR BOARD - COMPONENT LAYOUT

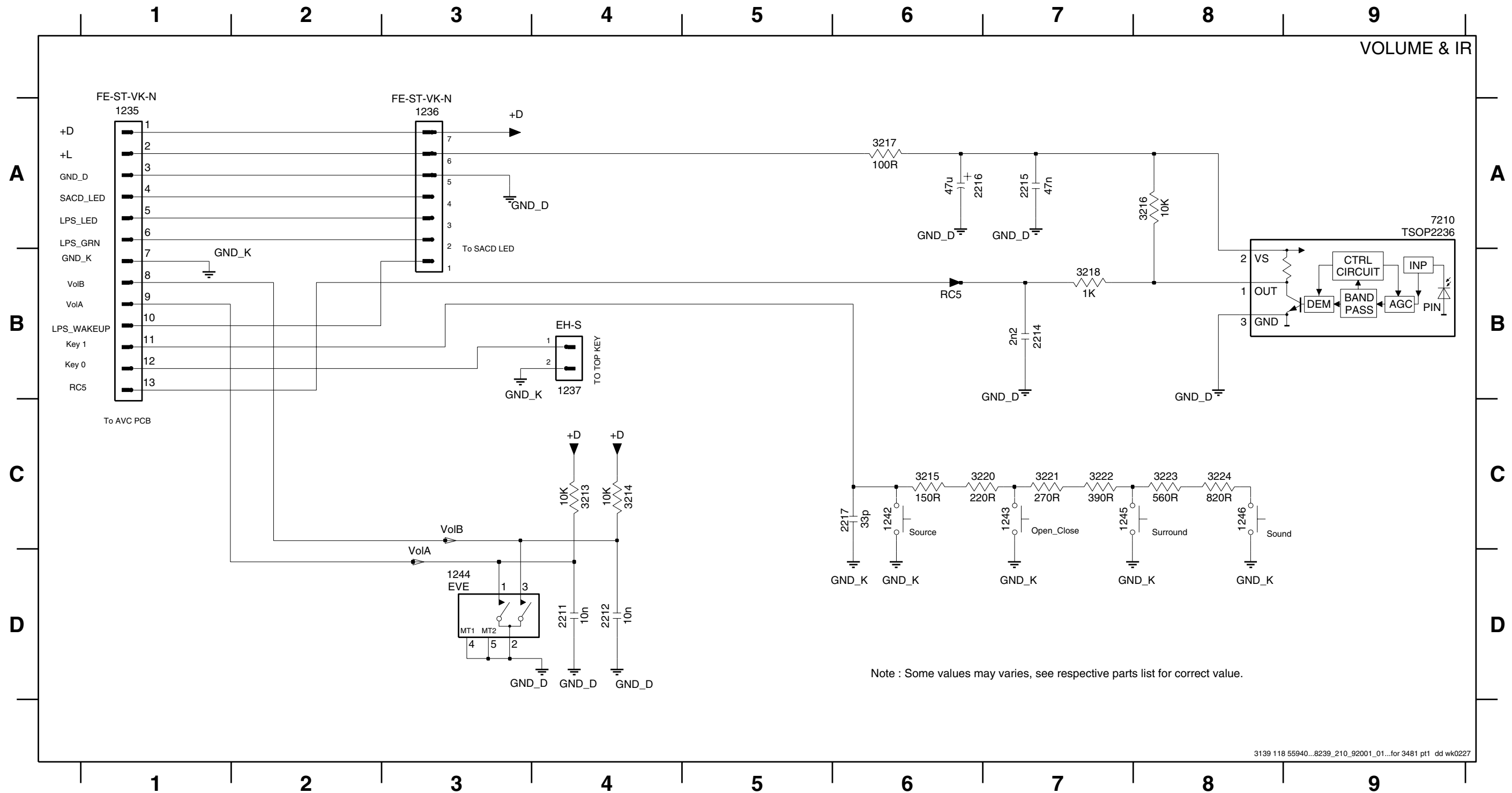


VOLUME & IR BOARD - CHIP LAYOUT



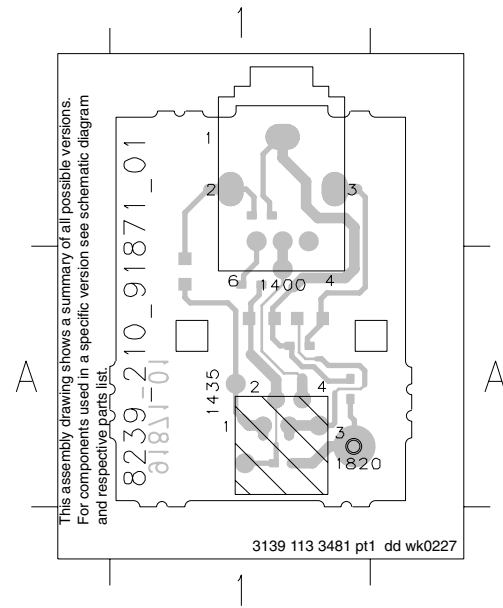
VOLUME & IR BOARD - CIRCUIT DIAGRAM

1235 A1 1236 A3 1237 C4 1242 C6 1243 C7 1244 D3 1245 C7 1246 C8 2211 D4 2212 D4 2214 B7 2215 A7 2216 A6 2217 C6 3213 C4 3214 C4 3215 C6 3216 A8 3217 A6 3218 B7 3220 C7 3221 C7 3222 C7 3223 C8 3224 C8 7210 A9



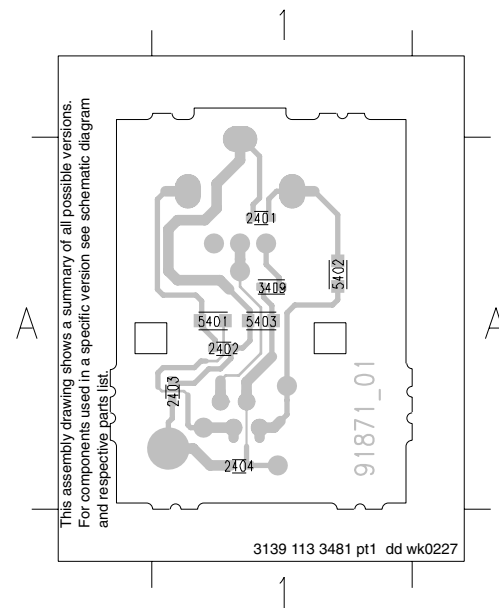
HEADPHONE BOARD - COMPONENT LAYOUT

1400 A1 1435 A1 1820 A1



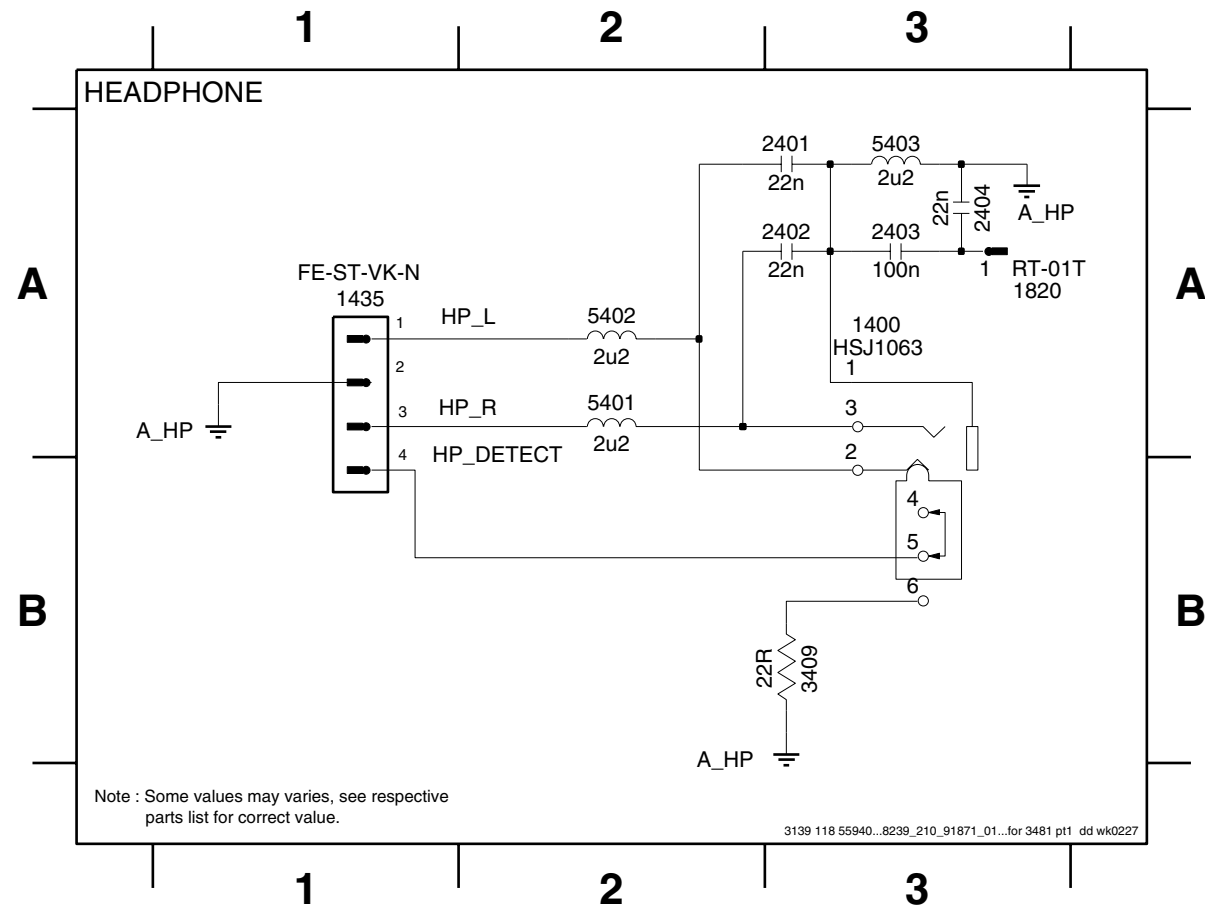
HEADPHONE BOARD - CHIP LAYOUT

2401 A1 2404 A1 5402 A1
 2402 A1 3409 A1 5403 A1
 2403 A1 5401 A1



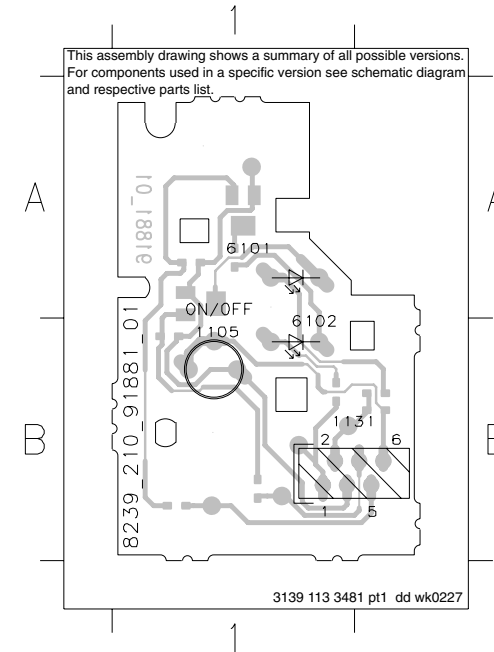
HEADPHONE BOARD - CIRCUIT DIAGRAM

1400 A3 1820 A3 2402 A3 2404 A3 5401 A2 5403 A3
 1435 A1 2401 A3 2403 A3 3409 B3 5402 A2



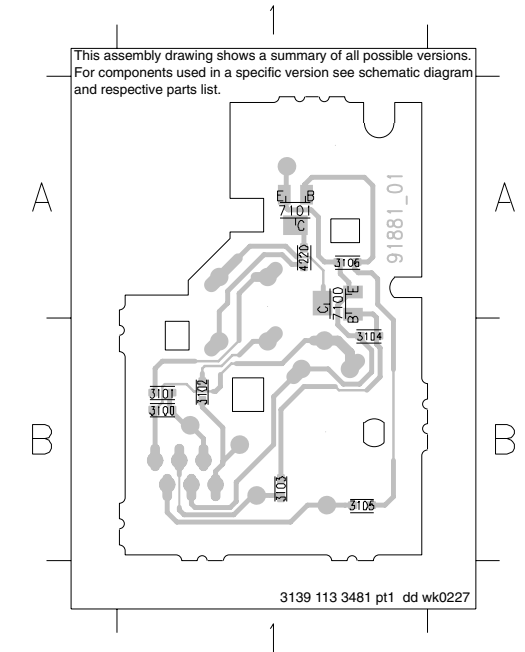
POWER ON/OFF BOARD - COMPONENT LAYOUT

1105 B1 6101 A1
 1131 B1 6102 B1



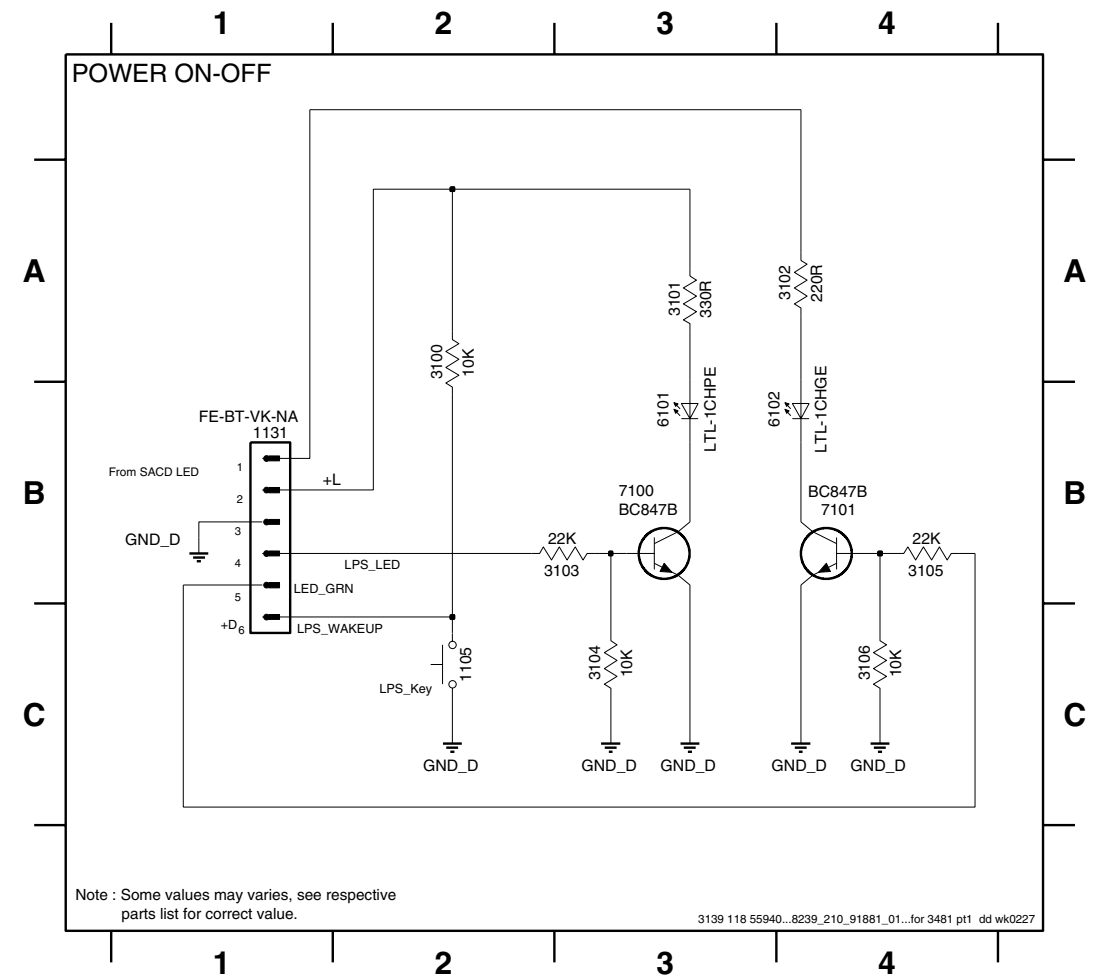
POWER ON/OFF BOARD - CHIP LAYOUT

3100 B1 3104 B1 7100 A1
 3101 B1 3105 B1 7101 A1
 3102 B1 3106 A1
 3103 B1 4220 A1



POWER ON/OFF BOARD - CIRCUIT DIAGRAM

1105 C2 3100 A2 3102 A4 3104 C3 3106 C4 6102 B4 7101 B4
 1131 B1 3101 A3 3103 B3 3105 B4 6101 B3 7100 B3



ELECTRICAL PARTS LIST - KEY & CONTROL BOARDS**MISCELLANEOUS**

1105	4822 276 13775	Tact Switch	3224	4822 117 12968	820R 5% 0,62W
1131	4822 267 10731	Flex Connector 6P	3300	4822 051 30151	150R 5% 0,062W
1235	4822 267 10756	Flex Connector 13P	3301	4822 051 30221	220R 5% 0,062W
1236	4822 267 10956	Flex Connector 7P	3302	4822 051 30271	270R 5% 0,062W
1242	4822 276 13775	Tact Switch	3303	4822 051 30391	390R 5% 0,062W
1243	4822 276 13775	Tact Switch	3304	4822 051 30561	560R 5% 0,062W
1244	2422 129 16836	Rotary Encoder 12P	3305	4822 117 12968	820R 5% 0,62W
1245	4822 276 13775	Tact Switch	3306	4822 117 11817	1k2 1% 1/16W
1246	4822 276 13775	Tact Switch	3307	4822 117 12903	1k8 1% 0,063W
1310	4822 276 13775	Tact Switch	3308	4822 051 30272	2k7 5% 0,062W
1311	4822 276 13775	Tact Switch	3309	4822 051 30472	4k7 5% 0,062W
1312	4822 276 13775	Tact Switch	3409	4822 117 12139	22R 5% 0,062W
1313	4822 276 13775	Tact Switch	3530	4822 051 30151	150R 5% 0,062W
1314	4822 276 13775	Tact Switch	3531	4822 051 30103	10k 5% 0,062W
1315	4822 276 13775	Tact Switch	3532	4822 051 30103	10k 5% 0,062W
1400	2422 026 05332	Headphone Socket	4201	4822 051 30008	0R Jumper 0603
1435	4822 265 11183	Flex Connector 4P	4202	4822 051 30008	0R Jumper 0603
1580	4822 267 10956	Flex Connector 7P	4203	4822 051 30008	0R Jumper 0603
1581	4822 265 11207	Flex Connector 6P	4204	4822 051 30008	0R Jumper 0603

CAPACITORS

2211	5322 126 11583	10nF 10% 50V	4205	4822 051 30008	0R Jumper 0603
2212	5322 126 11583	10nF 10% 50V	4206	4822 051 30008	0R Jumper 0603
2214	2238 786 11554	2,2nF 5% 16V	4207	4822 051 30008	0R Jumper 0603
2215	3198 017 34730	47nF 16V	4208	4822 051 30008	0R Jumper 0603
2216	4822 124 81286	47uF 20% 16V	4209	4822 051 30008	0R Jumper 0603
2217	2222 867 15339	33pF 5% 50V	4210	4822 051 30008	0R Jumper 0603
2300	2222 867 15339	33pF 5% 50V	4211	4822 051 30008	0R Jumper 0603
2401	3198 017 42230	22nF 50V	4212	4822 051 30008	0R Jumper 0603
2402	3198 017 42230	22nF 50V	4213	4822 051 30008	0R Jumper 0603
2403	2238 586 59812	100nF +80/-20% 50V	4214	4822 051 30008	0R Jumper 0603
2404	3198 017 42230	22nF 50V	4215	4822 051 30008	0R Jumper 0603

RESISTORS

3100	4822 051 30103	10k 5% 0,062W	4216	4822 051 30008	0R Jumper 0603
3101	4822 051 30331	330R 5% 0,062W	4217	4822 051 30008	0R Jumper 0603
3102	4822 051 30221	220R 5% 0,062W	4218	4822 051 30008	0R Jumper 0603
3103	4822 051 30223	22k 5% 0,062W	4219	4822 051 30008	0R Jumper 0603
3104	4822 051 30103	10k 5% 0,062W	4220	4822 051 30008	0R Jumper 0603
3105	4822 051 30223	22k 5% 0,062W	4221	4822 051 30008	0R Jumper 0603
3106	4822 051 30103	10k 5% 0,062W	4222	4822 051 30008	0R Jumper 0603
3213	4822 051 30103	10k 5% 0,062W			
3214	4822 051 30103	10k 5% 0,062W			
3215	4822 051 30151	150R 5% 0,062W			
3216	4822 051 30103	10k 5% 0,062W			
3217	4822 051 30101	100R 5% 0,062W			
3218	4822 051 30102	1k 5% 0,062W			
3220	4822 051 30221	220R 5% 0,062W			
3221	4822 051 30271	270R 5% 0,062W			
3222	4822 051 30391	390R 5% 0,062W			
3223	4822 051 30561	560R 5% 0,062W			

COILS & FILTERS

5401	4822 157 10586	Coil 2,2uH 10%
5402	4822 157 10586	Coil 2,2uH 10%
5403	4822 157 10586	Coil 2,2uH 10%

DIODES

6101	4822 130 82978	LED VS LTL-1CHPE
6102	4822 130 10791	LED VS LTL-1CHGE
6580	9322 185 23676	LED VS LTL-1CHTDK3

TRANSISTORS & INTEGRATED CIRCUITS

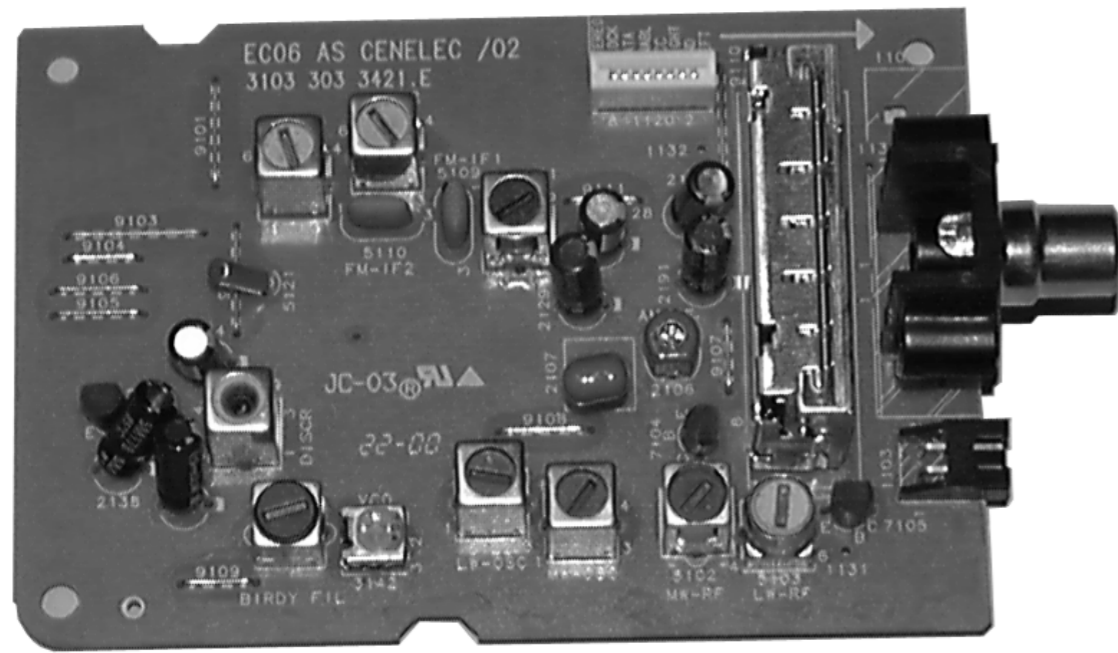
7100	5322 130 60159	BC847B
7101	5322 130 60159	BC847B

ELECTRICAL PARTS LIST - KEY & CONTROL BOARDS

TRANSISTORS & INTEGRATED CIRCUITS

7210	9322 155 82667	IR Receiver TSOP2236ZC1
7580	5322 130 60159	BC847B

Note : Only the parts mentioned in this list are normal service spare parts.



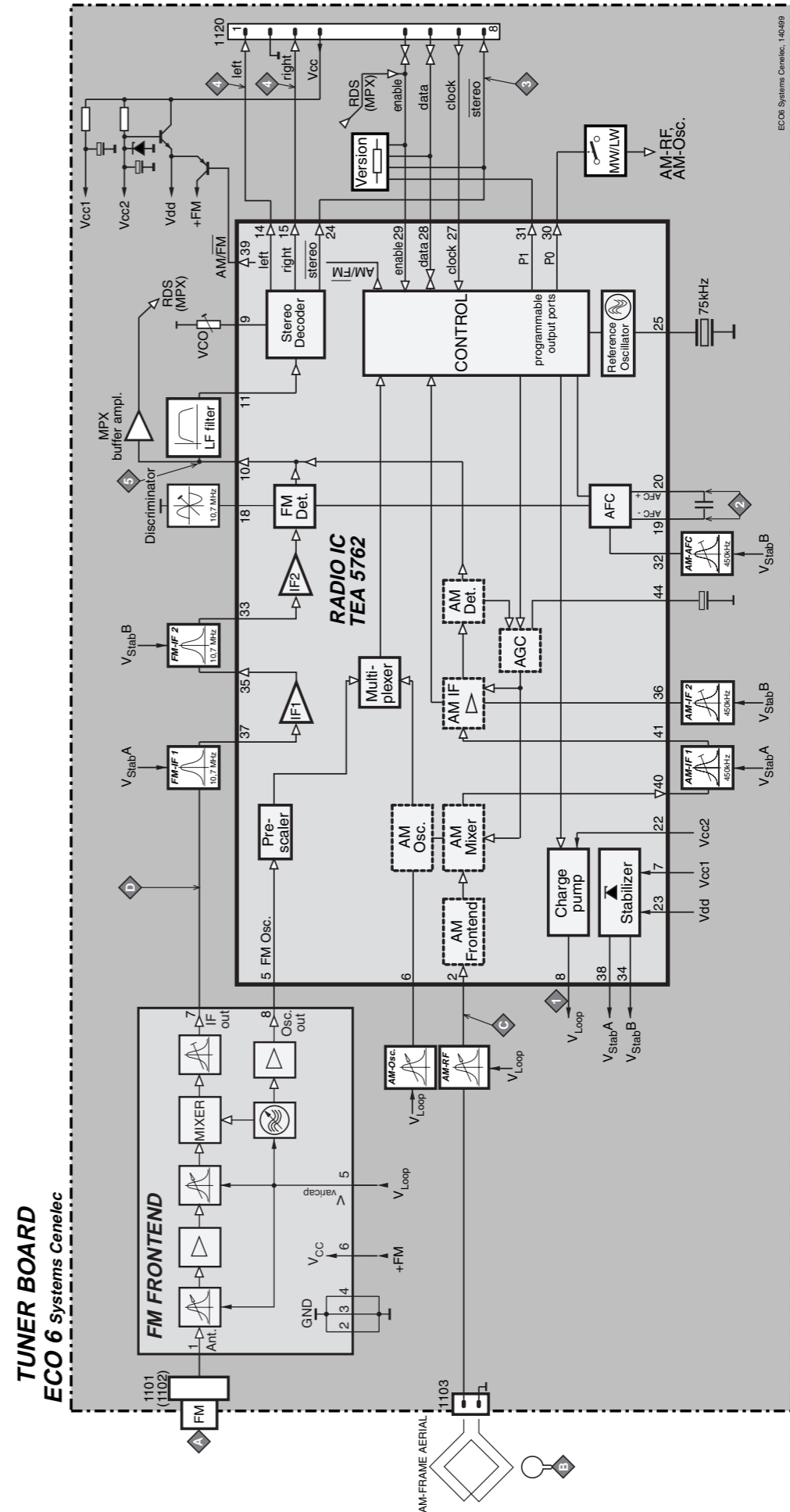
ECO6 Tuner Board

version: **SYSTEMS CENELEC**

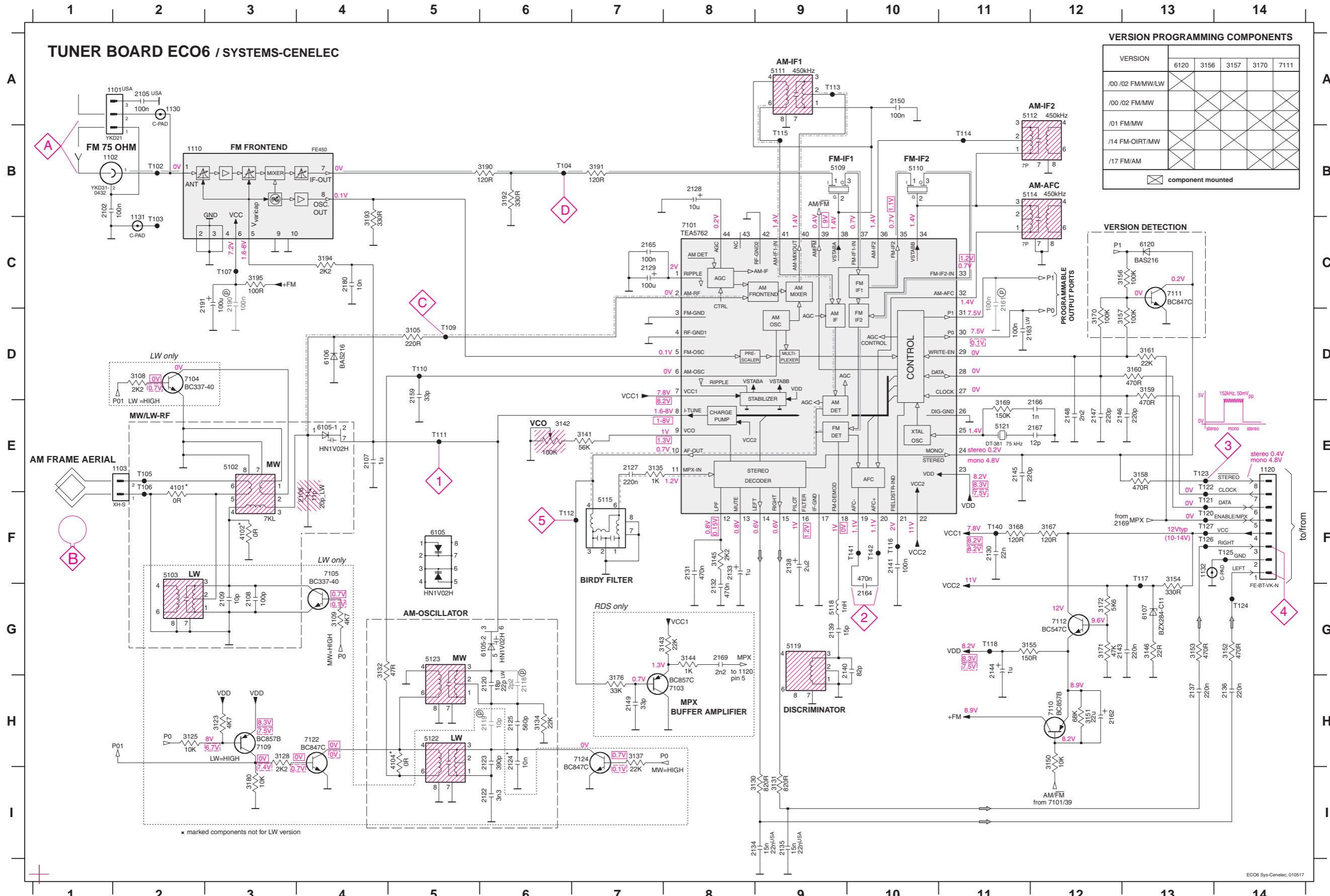
TABLE OF CONTENTS

Blockdiagram	7B-1
Schematic Diagram	7B-2
Component Layout	7B-3
Adjustment table	7B-3
Electrical Partslist	7B-4

BLOCK DIAGRAM



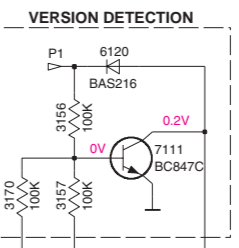
TUNER BOARD ECO6 / SYSTEMS-CENELEC



VERSION PROGRAMMING COMPONENTS

VERSION	6120	3156	3157	3170	7111
/00 /02 FM/MW/LW					
/00 /02 FM/MW					
/01 FM/MW					
/14 FM-OIRT/MW					
/17 FM/AM					

⊠ component mounted

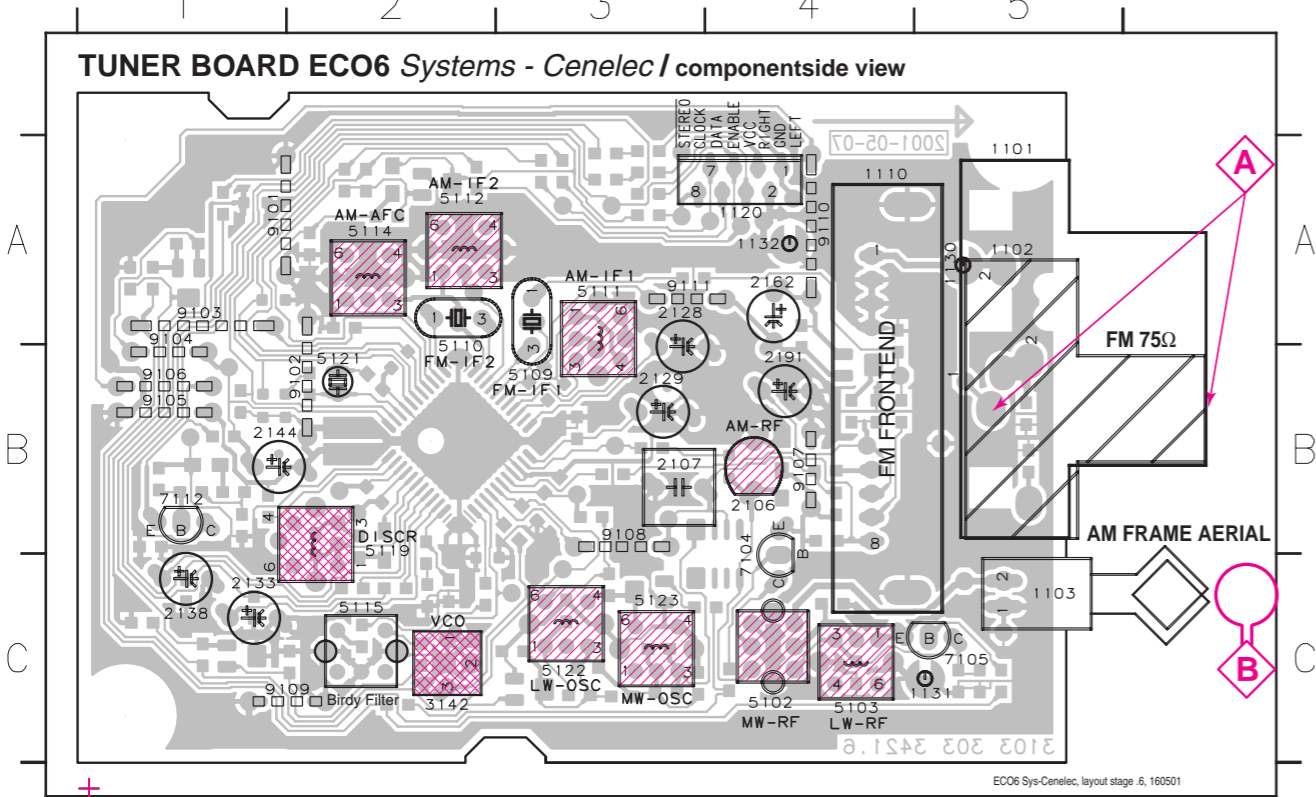


- 1101 A2
- 1102 B1
- 1103 E2
- 1110 B2
- 1120 E14
- 1130 A2
- 1131 C2
- 1132 F13
- 2102 B1
- 2105 A2
- 2106 E3
- 2107 E4
- 2108 G3
- 2109 G3
- 2118 H6
- 2119 H6
- 2120 H6
- 2122 I6
- 2123 H6
- 2124 H6
- 2125 H6
- 2127 F7
- 2128 B8
- 2129 C7
- 2130 F11
- 2131 F8
- 2132 F8
- 2133 F8
- 2134 I8
- 2135 I9
- 2136 H14
- 2137 H13
- 2138 F9
- 2139 G9
- 2140 G9
- 2141 F10
- 2143 G12
- 2144 G11
- 2145 E11
- 2146 E12
- 2147 E12
- 2148 E12
- 2149 A7
- 2150 H10
- 2159 D5
- 2161 C11
- 2162 H12
- 2163 D11
- 2164 G10
- 2165 C7
- 2166 E11
- 2167 E11
- 2169 G8
- 2180 C4
- 2190 C3
- 2191 C3
- 3105 D5
- 3108 D2
- 3109 G4
- 3123 H3
- 3125 H2
- 3128 H3
- 3130 I9
- 3131 I9
- 3132 G4
- 3134 H6
- 3135 E7
- 3137 H7
- 3141 E7
- 3142 E5
- 3143 G7
- 3144 G8
- 3145 F8
- 3146 G13
- 3150 H12
- 3151 H12
- 3152 G14
- 3153 G13
- 3154 F13
- 3155 G12
- 3156 C12
- 3157 D12
- 3158 E13
- 3159 D13
- 3160 D13
- 3161 D13
- 3167 F12
- 3168 F11
- 3169 E11
- 3170 D12
- 3171 G12
- 3172 G12
- 3176 H3
- 3180 I3
- 3190 B6
- 3191 B7
- 3192 B6
- 3193 B4
- 3194 C4
- 3195 C3
- 4101 E2
- 4102 F3
- 4104 H5
- 5102 E3
- 5103 F2
- 5108 B9
- 5110 B10
- 5111 A9
- 5112 A11
- 5114 B11
- 5115 E7
- 5118 G9
- 5119 G9
- 5121 E11
- 5122 H5
- 5123 G5
- 6105-1 E4
- 6105-2 G6
- 6106 D4
- 6107 G13
- 6120 C13
- 7101 C8
- 7103 H8
- 7104 D2
- 7105 F4
- 7109 H3
- 7110 H12
- 7111 C13
- 7112 H4
- 7124 H7
- 7125 B2
- 7126 B2
- 7104 B6
- 7105 E2
- 7106 E2
- 7107 C3
- 7109 D5
- 7111 E5
- 7112 F7
- 7113 A9
- 7114 B11
- 7116 F10
- 7117 F13
- 7118 G11
- 7120 F13
- 7121 F13
- 7122 E13
- 7123 E13
- 7124 G14
- 7125 F14
- 7126 F13
- 7127 F13
- 7140 F11
- 7141 F10
- 7142 F10

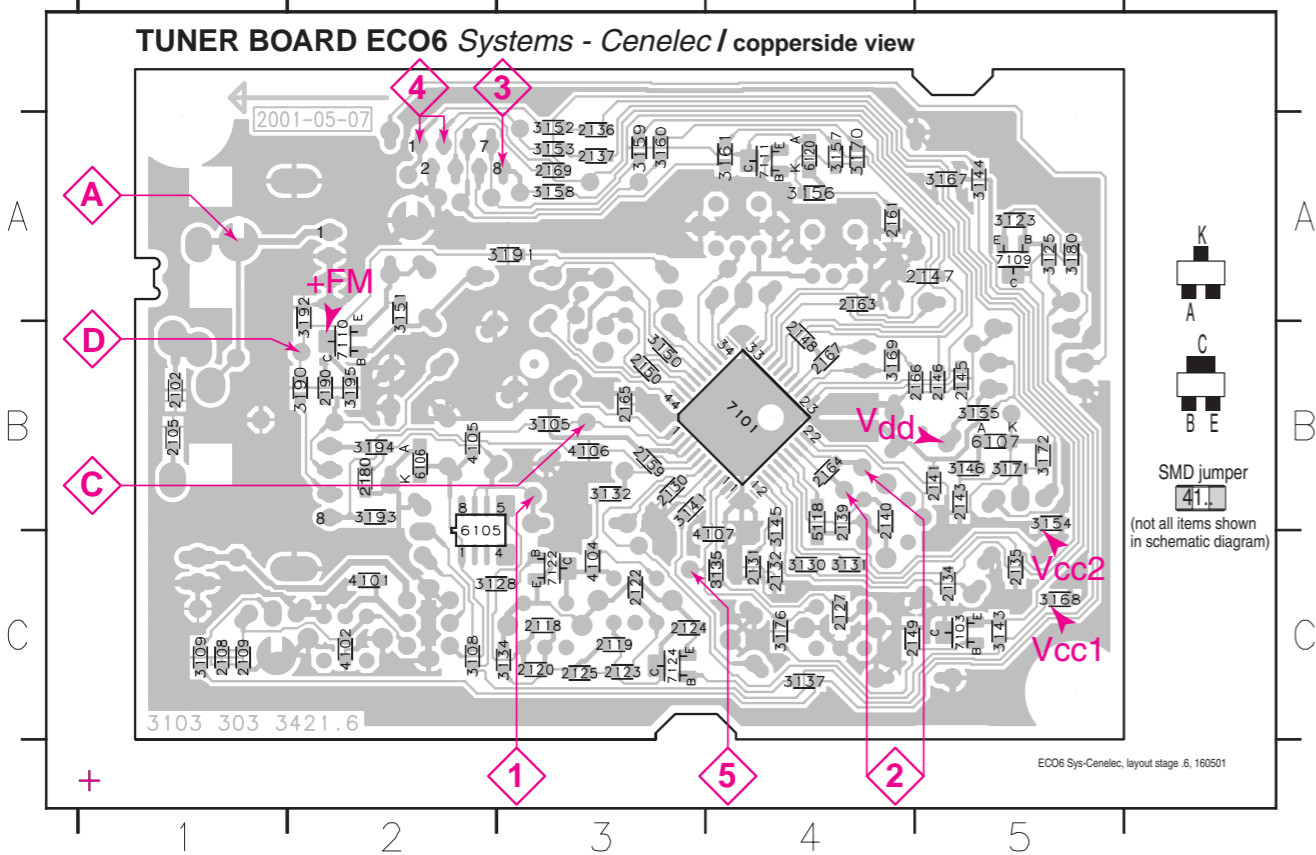
LEGEND

- *... only assembled in FM/AM-version
- Ⓧ... for provision only
- USA ... for USA version only
- LW ... for LW version only
- SMD jumper
- EVM
- ...V FM mode stereo
- ...V MW mode
- ...V LW mode
- voltages measured while set is tuned to a strong transmitter
- Signal path
- FM
- - - AM
- ... MPX (Audio Frequency)
- ⇒ AF - left/right

1101 B5 1110 B4 1131 C5 2107 B3 2133 C1 2162 A4 5102 C4 5110 A2 5114 A2 5121 B2 7104 C4 9101 A2 9104 B1 9107 B4 9110 A4
 1102 B5 1120 A4 1132 A4 2128 A3 2138 B1 2191 B4 5103 C4 5111 A3 5115 C2 5122 C3 7105 C5 9102 B2 9105 B1 9108 B3 9111 A3
 1103 C5 1130 A5 2106 B4 2129 B3 2144 B1 3142 C2 5109 B3 5112 A2 5119 B2 5123 C3 7112 B1 9103 A1 9106 B1 9109 C2



2102 B1 2120 C3 2130 B3 2137 A3 2146 B5 2161 A4 2169 A3 3123 A5 3134 C3 3145 C4 3154 B5 3160 A3 3171 B5 3192 A2 4104 C3 6106 B2 7110 B2
 2105 B1 2122 C3 2131 C4 2139 B4 2147 A5 2163 A4 2180 B2 3125 A5 3135 C4 3146 B5 3155 B5 3161 A4 3172 B5 3193 B2 4105 B2 6107 B5 7111 A4
 2108 C1 2123 C3 2132 C4 2140 B4 2148 B4 2164 B4 2190 B2 3128 C2 3137 C4 3150 B3 3156 A4 3167 A5 3176 C4 3194 B2 4106 B3 6120 A4 7122 C3
 2109 C1 2124 C3 2134 C5 2141 B5 2149 C4 2165 B3 3105 B3 3130 C4 3141 B3 3151 A2 3157 A4 3168 C5 3180 A5 3195 B2 4107 C4 7101 B4 7124 C3
 2118 C3 2125 C3 2135 C5 2143 B5 2150 B3 2166 B5 3108 C2 3131 C4 3143 C5 3152 A3 3158 A3 3169 B4 3190 B2 4101 C2 5118 C4 7103 C5
 2119 C3 2127 C4 2136 A3 2145 B5 2159 B3 2167 B4 3109 C1 3132 B3 3144 A5 3153 A3 3159 A3 3170 A4 3191 A3 4102 C2 6105 B2 7109 A5



These assembly drawings show a summary of all possible versions.
 For components used in a specific version see schematic diagram respectively partslist.

TUNER ADJUSTMENT TABLE (ECO6 Cenelec FM/MW - and FM/MW/LW - versions with AM-frame aerial)

Waverange	Input frequency	Input	Tuned to	Adjust	Output	Scope/Voltmeter
VARICAP ALIGNMENT						
FM 87.5 - 108MHz (50kHz grid)			108MHz	check		8V ±1.2V
			87.5MHz	check		1.6V ±0.5V
MW 531 - 1602kHz (9kHz grid)			1602kHz	5123	1	8V ±0.2V 3-band 6.9V ±0.2V 2-band
			531kHz	check		1.1V ±0.4V
LW 153 - 279kHz (3kHz grid)			279kHz	5122		8V ±0.2V
			153kHz	check		1.1V ±0.4V
FM - IF						
FM	10.7MHz, 45mV continuous wave	D		5119	2	0mV ±3mV
FM - VCO						
FM	98MHz, 1mV continuous wave	A	98MHz	3142	3	152kHz ±1kHz ¹⁾
FM RF (channel separation) Note: The FM-frontend unit has already been adjusted by the factory and needs therefore no further adjustments for service purposes.						
FM	98MHz, 1mV 90% Left + 9% pilot mod=1kHz	A	98MHz	IF coil inside FM frontend 1110	4	right channel min.
AM IF						
MW	450kHz connect pin 6 of IC 7101 (AM Osc.) with 3.3kΩ to Vcc	C		5111	5	
				5112		
AM AFC MW		C		5114	2	0mV ±2mV
AM RF³⁾						
MW	1494kHz	B		1494kHz	5	
	558kHz			5102		
LW	198kHz			198kHz	5103	

Use Service Testprogram. By selecting the TUNER TEST test frequencies will be stored as preset frequencies automatically.

- 1) If sensitivity of frequency counter is too low adjust to max. channel separation (input signal: stereo left 90% + 9%, adjust output on right channel to minimum)
- 2) RC network serves for damping the IF-filter while adjusting the other one.
- 3) For AM RF adjustments the original frame antenna has to be used!
 MW has to be aligned before LW.

↑ Repeat

MISCELLANEOUS

1101	2422 015 19376	SOCKET CLICKFIT 2P	USA only
1102	4822 267 10283	SOCKET COAX, IEC 75Ω	not USA
1103	4822 265 31184	JST CONNECTOR, 2 POLE	
1110	2422 542 90071	FM FRONTEND	
1120	4822 265 11515	FFC SOCKET, 8P	

CAPACITORS

2102	4822 126 13838	100nF 10% 50V	not USA
2105	4822 126 13838	100nF 10% 50V	USA only
2106	2020 800 00204	TRIMCAP. 4,2 - 20pF, N750	LW only
2106	2020 800 00191	TRIMCAP. 3 - 11pF, N450	FM/AM only
2107	4822 121 51319	1μF 20% 50V	
2108	5322 122 32531	100pF 5% 50V	LW only
2109	5322 122 32448	10pF 5% 50V	LW only
2120	4822 126 13689	18pF 1% 63V	FM/AM only
2120	5322 122 32658	22pF 5% 50V	LW only
2122	4822 122 33891	3,3nF 10% 63V	LW only
2123	2020 552 93494	390pF 1% 50V	LW only
2124	4822 122 33177	10nF 20% 50V	FM/AM only
2125	2020 552 96199	560pF 1% 50V	
2127	4822 126 14076	220nF 20% 25V	
2128	4822 124 40248	10μF 20% 63V	
2129	4822 124 41584	100μF 20% 10V	
2130	5322 122 32654	22nF 10% 63V	
2131	4822 126 13482	470nF 20% 16V	
2132	4822 126 13482	470nF 20% 16V	
2133	4822 124 21913	1μF 20% 63V	
2134	3198 017 31530	15nF 10% 50V	not USA
2134	5322 122 32654	22nF 10% 63V	USA only
2135	3198 017 31530	15nF 10% 50V	not USA
2135	3198 017 32230	22nF 10% 25V	USA only
2136	4822 126 14076	220nF 20% 25V	
2137	4822 126 14076	220nF 20% 25V	
2138	4822 124 22652	2,2μF 20% 50V	
2139	4822 126 14236	15pF 5% 50V	
2140	4822 126 13695	82pF 1% 63V	
2141	4822 126 13838	100nF 10% 50V	
2143	4822 126 14076	220nF 20% 25V	
2144	4822 124 21913	1μF 20% 63V	
2145	4822 122 33575	220pF 5% 50V	
2146	4822 122 33575	220pF 5% 50V	
2147	4822 122 33575	220pF 5% 50V	
2148	4822 122 33127	2,2nF 10% 63V	
2149	5322 122 32659	33pF 5% 50V	RDS only
2150	4822 126 13838	100nF 10% 50V	
2159	5322 122 31151	22μF 20% 50V	
2163	4822 126 13838	100nF 10% 50V	LW only
2164	4822 126 13482	470nF 20% 16V	
2165	4822 126 13838	100nF 10% 50V	
2166	5322 122 31647	1nF 10% 63V	
2167	4822 122 33926	12pF 5% 50V	
2169	4822 122 33127	2,2nF 10% 63V	RDS only
2180	3198 017 31030	10nF 10% 50V	
2190	4822 126 13838	100nF 10% 50V	
2191	4822 124 40178	100μF 20% 10V	

RESISTORS

3105	4822 117 11503	220Ω 5% 0,1W	
3108	4822 117 11449	2,2kΩ 1% 0,1W	LW only
3109	4822 051 20472	4,7kΩ 5% 0,1W	LW only
3123	4822 051 20472	4,7kΩ 5% 0,1W	LW only
3125	4822 117 10833	10kΩ 1% 0,1W	LW only

RESISTORS

3128	4822 117 11449	2,2kΩ 1% 0,1W	LW only
3130	3198 021 38210	820Ω 5% 0,06W	
3131	3198 021 38210	820Ω 5% 0,06W	
3132	4822 051 20479	47Ω 5% 0,1W	
3134	4822 051 20223	22kΩ 5% 0,1W	
3135	3198 021 31020	1kΩ 5% 0,06W	
3137	4822 051 20223	22kΩ 5% 0,1W	LW only
3141	4822 117 11148	56kΩ 1% 0,1W	
3142	4822 100 12159	TRIMPOT. 100kΩ	
3143	4822 051 20223	22kΩ 5% 0,1W	RDS only
3144	4822 051 10102	1kΩ 2% 0,25W	RDS only
3145	4822 117 11449	2,2kΩ 1% 0,1W	
3146	4822 051 20229	22Ω 5% 0,1W	
3150	4822 117 10833	10kΩ 1% 0,1W	
3151	4822 051 20683	68kΩ 5% 0,1W	
3152	4822 051 20471	470Ω 5% 0,1W	
3153	4822 051 20471	470Ω 5% 0,1W	
3154	4822 117 13577	330Ω 1% 0,1W	
3155	4822 117 10353	150Ω 5% 0,1W	
3156	4822 117 10837	100kΩ 1% 0,1W	
3157	4822 117 10837	100kΩ 1% 0,1W	
3158	4822 051 20471	470Ω 5% 0,1W	
3159	4822 051 20471	470Ω 5% 0,1W	
3160	4822 051 20471	470Ω 5% 0,1W	
3161	4822 051 20223	22kΩ 5% 0,1W	
3167	4822 051 20121	120Ω 5% 0,1W	
3168	4822 051 20121	120Ω 5% 0,1W	
3169	4822 051 20154	150kΩ 5% 0,1W	
3170	4822 117 10837	100kΩ 1% 0,1W	
3171	4822 117 10834	47kΩ 1% 0,1W	
3172	4822 051 20562	5,6kΩ 5% 0,1W	
3176	4822 051 20333	33kΩ 5% 0,1W	RDS only
3180	4822 117 10833	10kΩ 1% 0,1W	LW only
3190	4822 051 20121	120Ω 5% 0,1W	
3191	4822 051 20121	120Ω 5% 0,1W	
3192	4822 117 13577	330Ω 1% 0,1W	
3193	4822 117 13577	330Ω 1% 0,1W	
3194	4822 117 11449	2,2kΩ 1% 0,1W	
3195	4822 051 20101	100Ω 5% 0,1W	
4101	4822 051 20008	CHIP JUMPER 0805	FM/AM only
4102	4822 051 20008	CHIP JUMPER 0805	FM/AM only
4104	4822 051 20008	CHIP JUMPER 0805	FM/AM only
4105	4822 051 20008	CHIP JUMPER 0805	
4106	4822 051 20008	CHIP JUMPER 0805	
4107	4822 051 20008	CHIP JUMPER 0805	

COILS

5102	4822 157 71634	RF-COIL MW	
5103	2422 549 44107	RF-COIL LW	LW only
5109	4822 157 71639	FM-IF FILTER 10,7MHz	
5110	4822 242 70665	FM-IF FILTER 10,7MHz	
5111	2422 549 44023	AM-IF FILTER 450kHz	
5112	4822 157 70302	AM-IF FILTER 450kHz	
5114	4822 157 70302	AM-IF FILTER 450kHz	
5115	4822 157 71636	ANTI BIRDY FILTER	
5118	2422 535 95881	100nH	
5119	4822 157 11443	DISCRIMINATOR COIL	
5121	4822 242 10261	QUARTZ 75kHz	
5122	2422 549 44108	RF-COIL, LW-OSCILLATOR	LW only
5123	2422 549 44108	RF-COIL, MW-OSCILLATOR	

DIODES

6105	4822 130 83075	HN1V02H	
6106	4822 130 83757	BAS216	
6107	9340 386 90115	BZX284-C11	
6120	4822 130 83757	BAS216	

TRANSISTORS

7103	5322 130 42756	BC857C	RDS only
7104	9322 003 64676	TBC337-40	LW only
7105	9322 003 64676	TBC337-40	LW only
7109	4822 130 60373	BC856B	LW only
7110	4822 130 60373	BC856B	
7111	5322 130 42755	BC847C	
7112	4822 130 44503	BC547C	
7122	5322 130 42755	BC847C	LW only
7124	5322 130 42755	BC847C	LW only

INTEGRATED CIRCUITS

7101	4822 209 90315	TEA5762H/V1, RADIO IC	
------	----------------	-----------------------	--

SUPPLY & MAIN BOARDS

TABLE OF CONTENTS

Brief Introduction	8-1
Supply Board - Component layout	8-2
Supply Board - Circuit diagram	8-3
Main Board - Circuit diagram.....	8-4
Main Board - Component layout	8-5
Electrical parts list.....	8-5

Brief introduction of the Supply & Main Boards

Supply Board

The purpose of the Supply Board is to provide the rectified voltages for the other modules used in LX7000SA or LX8000SA with the exception of the Power Amplifier Module that has its own rectified supply circuitry onboard. The Supply Board provides outputs +12V, +5V6, +5V and +3V3 supply voltages.

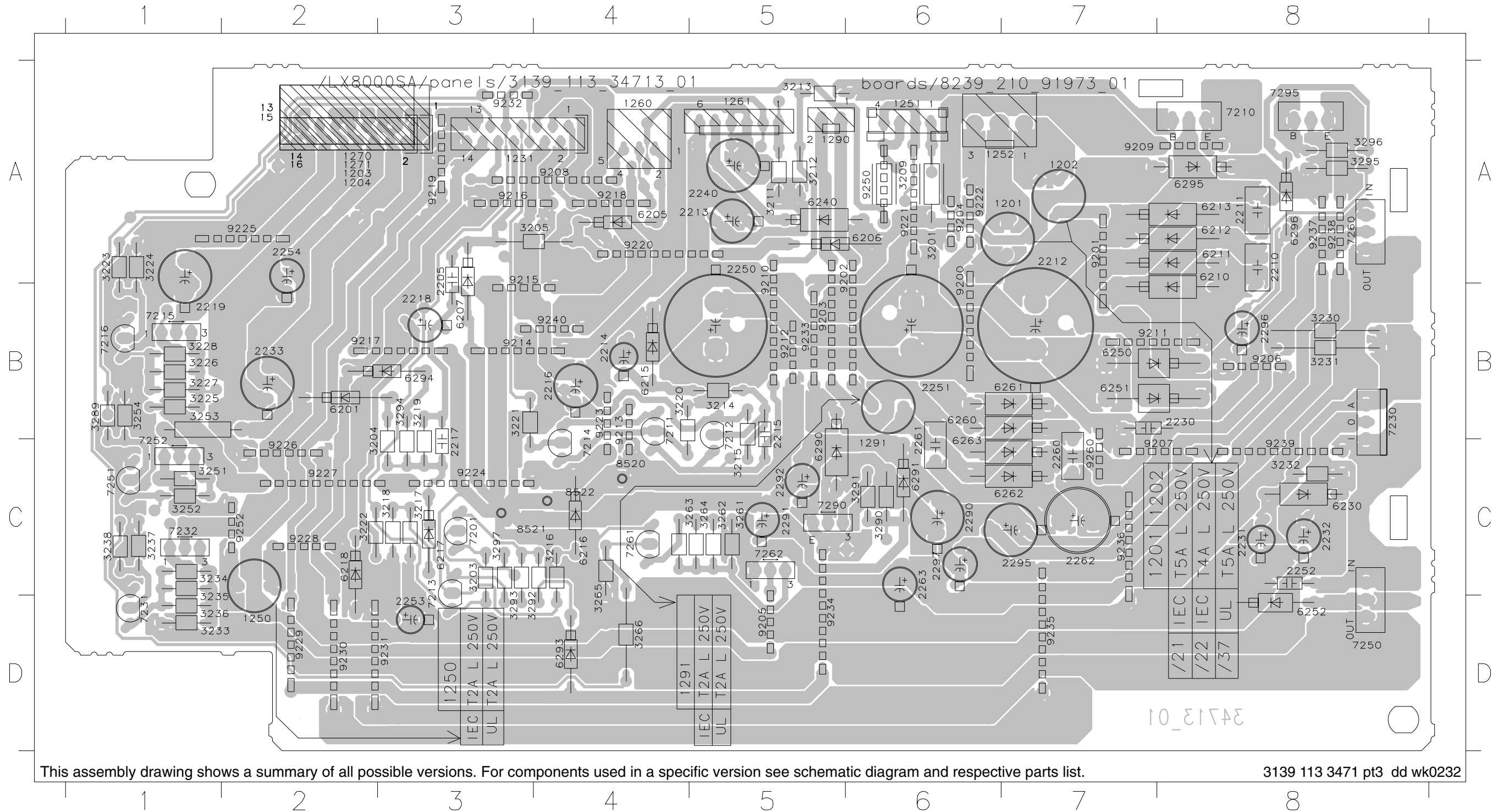
Main Board

The purpose of the Main Board is to provide a means of electrical connection between the mains supply and the transformer. The electronic Low Power Standby (LPS) circuit is also on the Main Board.

- a. Low Power Standby (LPS)
Standby Transformer (5905) provides the LPS supply to control the relay (1910), cutting of the mains supply to the transformer during the ECO Power (standby) mode.
- b. Voltage Selector (For /21 version)
The Voltage Selector (1911) and addition connector (1909) provide a means of switching to different mains supply voltages with the use of a /21 version transformer.

SUPPLY BOARD - COMPONENT LAYOUT

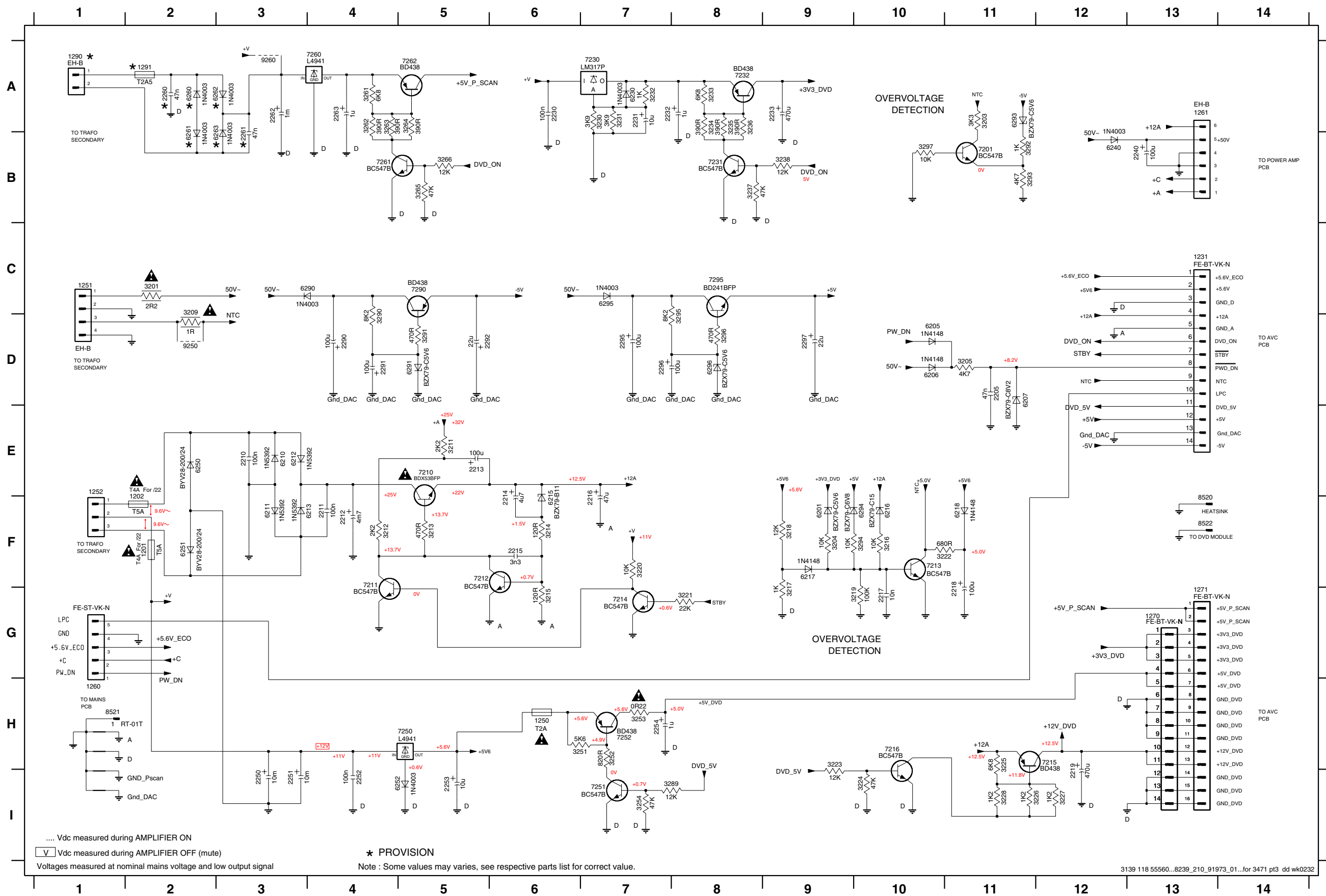
1201 A7	1290 A5	2219 B1	2261 C6	3205 A4	3221 B3	3234 C1	3264 C5	6201 B2	6230 C8	6294 B3	7231 D1	8522 C4	9211 B7	9223 B4	9235 D7
1202 A7	1291 C6	2230 B8	2262 C7	3209 A6	3222 C2	3235 D1	3265 D4	6205 A4	6240 A5	6295 A8	7232 C1	9200 A6	9212 B5	9224 C3	9236 C7
1203 A2	2205 A3	2231 C8	2263 C6	3211 A5	3223 A1	3236 D1	3266 B4	6206 A6	6250 B7	6296 A8	7250 D8	9201 A7	9213 B4	9225 A2	9237 A8
1204 A2	2210 A8	2232 C8	2290 C6	3212 A5	3224 A1	3237 C1	3289 B1	6207 B3	6251 B7	7201 C3	7251 C1	9202 A5	9214 B3	9226 C2	9238 A8
1231 A3	2211 A8	2233 B2	2291 C5	3213 A5	3225 B1	3238 C1	3290 C6	6210 A8	6252 D8	7210 A8	7252 C1	9203 B5	9215 A3	9227 C2	9239 C8
1250 D2	2212 A7	2240 A5	2292 C5	3214 B5	3226 B1	3251 C1	3291 C6	6211 A8	6260 B6	7211 B4	7260 A8	9204 A6	9216 A3	9228 C2	9240 B4
1251 A6	2213 A5	2250 A5	2295 C7	3215 C5	3227 B1	3252 C1	3292 D3	6212 A8	6261 B7	7212 B5	7261 C4	9205 D5	9217 B2	9229 D2	9250 A6
1252 A6	2214 B4	2251 B6	2296 B8	3216 C4	3228 B1	3253 B1	3293 D3	6213 A8	6262 C7	7213 C3	7262 C5	9206 B8	9218 A4	9230 D2	9252 C2
1260 A4	2215 B5	2252 C8	2297 C6	3217 C3	3230 B8	3254 B1	3294 B3	6215 B4	6263 C6	7214 C4	7290 C5	9207 C8	9219 A3	9231 D3	9260 C7
1261 A5	2216 B4	2253 D3	3201 A6	3218 C3	3231 B8	3261 C5	3295 A8	6216 C4	6290 C5	7215 B1	7295 A8	9208 A4	9220 A4	9232 A3	
1270 A2	2217 C3	2254 A2	3203 C3	3219 B3	3232 C8	3262 C5	3296 A8	6217 C3	6291 C6	7216 B1	8520 C4	9209 A7	9221 A6	9233 B5	
1271 A2	2218 B3	2260 C7	3204 C2	3220 B4	3233 D1	3263 C4	3297 C3	6218 C2	6293 D4	7230 B8	8521 C3	9210 A5	9222 A6	9234 D5	



This assembly drawing shows a summary of all possible versions. For components used in a specific version see schematic diagram and respective parts list.

3139 113 3471 pt3 dd wk0232

SUPPLY BOARD - CIRCUIT DIAGRAM



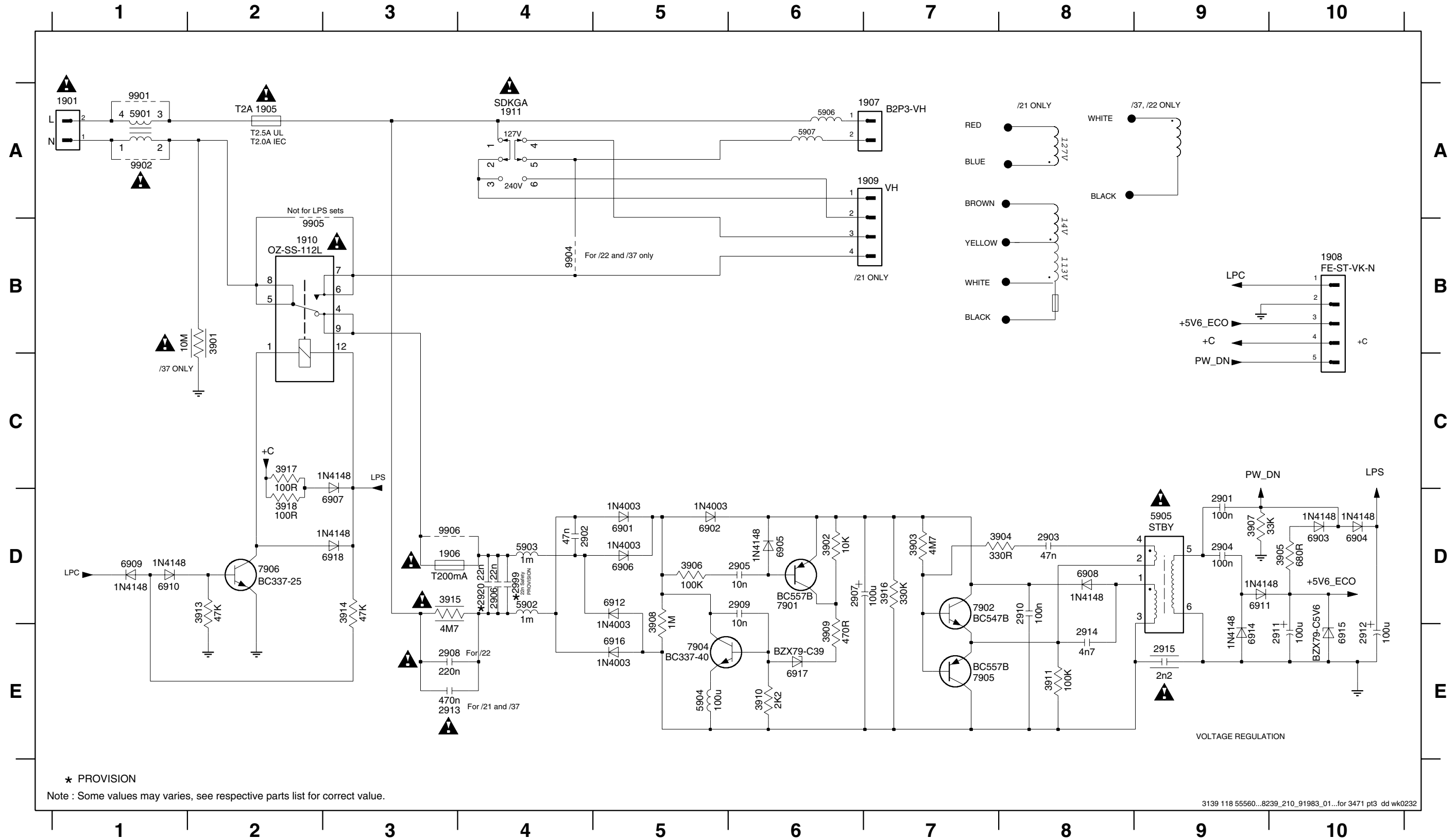
1290 F2	6260 A2
1290 F2	6261 B2
1231 C13	6262 A3
1250 H6	6263 B2
1251 C1	6290 C4
1252 E1	6291 D5
1260 H1	6293 A11
1261 A13	6294 F10
1270 G13	6295 C7
1271 G13	6296 D8
1290 A1	7201 B11
1291 A2	7210 E5
2205 D11	7211 F4
2210 E3	7212 F5
2211 F4	7213 F10
2212 F4	7214 G7
2213 E5	7215 H12
2214 F6	7216 H10
2215 F6	7230 A7
2216 F7	7231 B8
2217 G10	7232 A8
2218 G11	7250 H5
2219 I12	7251 I7
2230 A6	7252 H7
2231 A7	7260 A4
2232 A7	7261 B4
2233 A9	7262 A5
2240 B13	7290 C5
2250 I3	7295 C8
2251 I3	8520 F13
2252 I4	8521 H1
2253 I5	8522 F13
2254 H7	9250 D2
2250 A2	9260 A3
2261 B3	
2262 A3	
2263 A4	
2290 D4	
2291 D4	
2292 D5	
2295 D7	
2296 D9	
3201 C2	
3203 A11	
3204 F9	
3205 D11	
3209 D2	
3211 E5	
3212 F4	
3213 F5	
3214 F6	
3215 G6	
3216 F10	
3217 G9	
3218 F9	
3219 G10	
3220 F7	
3221 G8	
3222 F10	
3223 H9	
3224 H10	
3225 H11	
3226 H11	
3227 H12	
3228 H11	
3230 A7	
3231 A7	
3232 A7	
3233 A8	
3234 A8	
3235 A8	
3236 A8	
3237 B8	
3238 B9	
3251 H6	
3252 H7	
3253 H7	
3254 I7	
3261 A4	
3262 A4	
3263 A4	
3264 A5	
3265 B5	
3266 B5	
3289 I7	
3290 D4	
3291 D5	
3292 B11	
3293 B11	
3294 F10	
3295 D8	
3296 D8	
3297 B10	
6201 F9	
6205 D10	
6206 D10	
6207 D11	
6210 E3	
6211 F3	
6212 E3	
6213 F3	
6215 F6	
6216 F10	
6217 F9	
6218 F11	
6230 A7	
6240 B12	
6250 E2	
6251 F2	
6252 I5	

.... Vdc measured during AMPLIFIER ON
 V Vdc measured during AMPLIFIER OFF (mute)
 Voltages measured at nominal mains voltage and low output signal

* PROVISION
 Note : Some values may varies, see respective parts list for correct value.

MAIN BOARD - CIRCUIT DIAGRAM

1901 A1	1908 B10	2901 D9	2905 D6	2909 D6	2913 E3	2999 D4	3904 D8	3908 D5	3913 D2	3917 C2	5903 D4	5907 A6	6904 D10	6908 D8	6912 D5	6917 E6	7904 E5	9902 A1
1905 A2	1909 A6	2902 D4	2906 D4	2910 D8	2914 E8	3901 B2	3905 D10	3909 E6	3914 D3	3918 D2	5904 E5	6901 D5	6905 D6	6909 D1	6914 E9	6918 D3	7905 E7	9904 B4
1906 D3	1910 B2	2903 D8	2907 D6	2911 E10	2915 E9	3902 D6	3906 D5	3910 E6	3915 D3	5901 A1	5905 D9	6902 D5	6906 D5	6910 D1	6915 E10	7901 D6	7906 D2	9905 B2
1907 A6	1911 A4	2904 D9	2908 E3	2912 E10	2920 D4	3903 D7	3907 D9	3911 E8	3916 D7	5902 D4	5906 A6	6903 D10	6907 D3	6911 D9	6916 E5	7902 D7	9901 A1	9906 D3

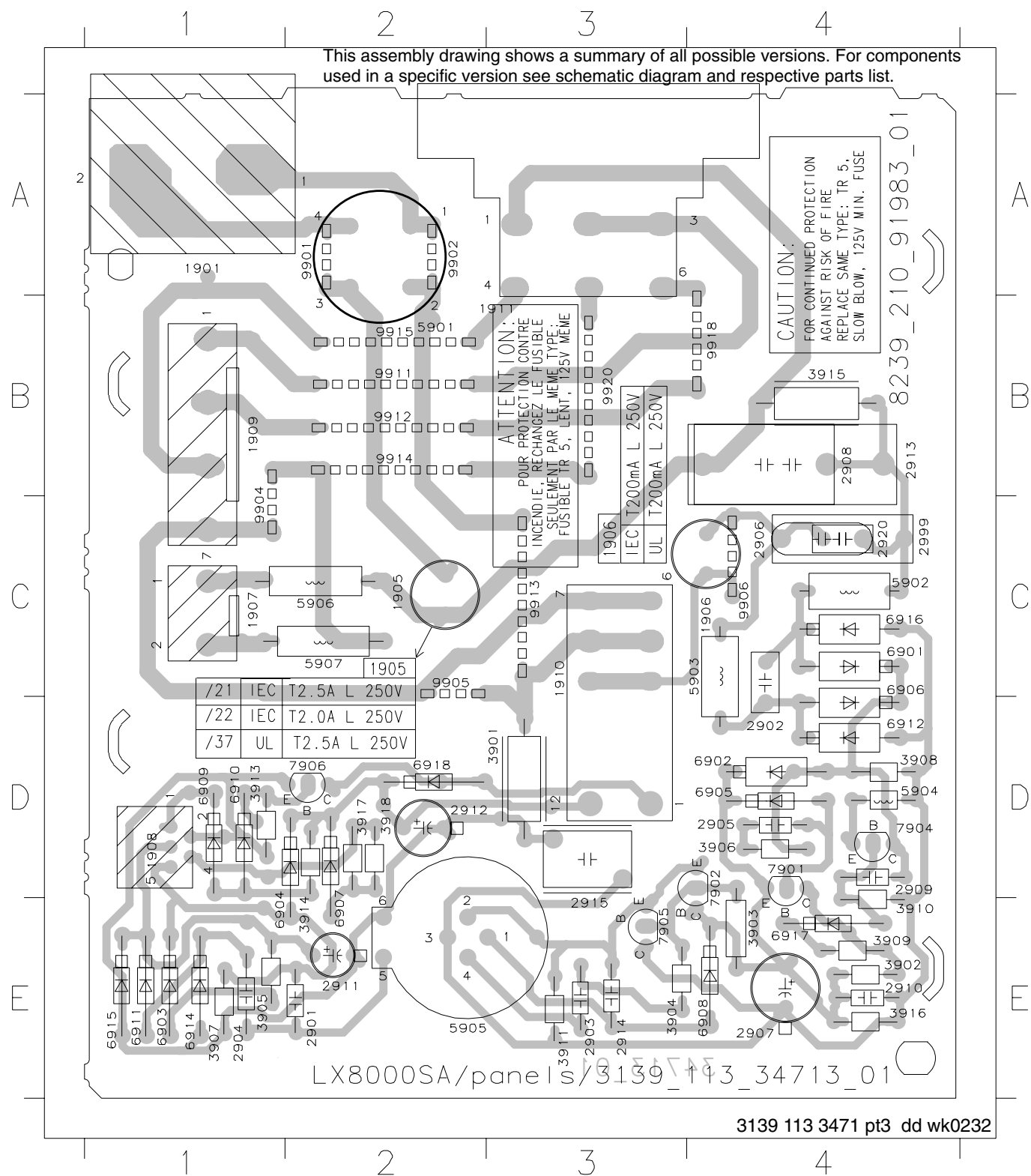


* PROVISION

Note : Some values may varies, see respective parts list for correct value.

MAIN BOARD - COMPONENT LAYOUT

1901	A1	2903	E3	2913	B4	3906	D4	3917	D2	6902	D4	6912	D4	7906	D2	9915	B2
1905	C2	2904	E1	2914	E3	3907	E1	3918	D2	6903	E1	6914	E1	9901	A2	9918	B4
1906	C4	2905	D4	2915	E3	3908	D4	5901	B2	6904	E1	6915	E1	9902	A2	9920	B3
1907	C1	2906	C4	2920	C4	3909	E4	5902	C4	6905	D4	6916	C4	9904	C1		
1908	D1	2907	E4	2999	C4	3910	E4	5903	C4	6906	C4	6917	E4	9905	C2		
1909	B1	2908	B4	3901	D3	3911	E3	5904	D4	6907	E2	6918	D2	9906	C4		
1910	C3	2909	D4	3902	E4	3913	D1	5905	E2	6908	E4	7901	D4	9911	B2		
1911	B3	2910	E4	3903	E4	3914	E2	5906	E2	6909	D1	7902	D4	9912	B2		
2901	E2	2911	E2	3904	E3	3915	B4	5907	C2	6910	D1	7904	D4	9913	C3		
2902	D4	2912	D2	3905	E1	3916	E4	6901	C4	6911	E1	7905	E3	9914	B2		



ELECTRICAL PARTS LIST - SUPPLY & MAIN BOARDS

MISCELLANEOUS

0012	4822 492 11735	SPRING TRANS
1201	4822 071 55002	△ Fuse RAD LT 5A 250V
1202	4822 071 55002	△ Fuse RAD LT 5A 250V
1231	4822 267 51255	Flex Connector 14P
1250	9965 000 07788	△ Fuse RAD LT 2A 250V
1260	4822 267 10958	Flex Connector 5P
1271	2422 025 14526	Flex Connector 16P
1901	4822 265 31015	△ Mains Socket
1905	9965 000 07788	△ Fuse RAD LT 2A 250V
1906	4822 071 52001	△ Fuse RAD LT 200mA 250V
1907	4822 265 20723	Connector 2P VH
1908	4822 267 10958	Flex Connector 5P
1910	2422 132 07519	△ Relay 1P 12V 16A OZ-SS L

2908	4822 121 10512	△ 220nF 20% 275V
2909	4822 121 51387	10nF 20% 16V
2910	2020 561 90365	100nF +80/-20% 50V
2911	4822 124 41584	100uF 20% 10V
2912	4822 124 41584	100uF 20% 10V
2914	4822 126 11714	4,7nF 20%
2915	2020 554 90173	△ 2,2nF 20% 250V

RESISTORS

3201	4822 052 10228	△ 2R2 5% 0,33W
3203	4822 116 52269	3k3 5% 0,5W
3204	4822 050 21003	10k 1% 0,6W
3205	4822 116 52283	4k7 5% 0,5W
3209	4822 052 10108	△ 1R 5% 0,33W
3211	4822 116 52256	2k2 5% 0,5W
3212	4822 116 52256	2k2 5% 0,5W
3213	4822 116 83883	470R 5% 0,5W
3214	4822 116 52206	120R 5% 0,5W
3215	4822 116 52206	120R 5% 0,5W
3216	4822 050 21003	10k 1% 0,6W
3217	4822 050 11002	1k 1% 0,4W
3218	4822 116 52238	12k 5% 0,5W
3219	4822 116 52234	100k 5% 0,5W
3220	4822 050 21003	10k 1% 0,6W
3221	4822 116 52257	22k 5% 0,5W
3222	4822 116 52228	680R 5% 0,5W
3223	4822 116 52238	12k 5% 0,5W
3224	4822 116 83884	47k 5% 0,5W
3225	4822 116 83961	6k8 5%
3226	4822 116 52207	1k2 5% 0,5W
3227	4822 116 52207	1k2 5% 0,5W
3228	4822 116 52207	1k2 5% 0,5W
3230	4822 116 52276	3k9 5% 0,5W
3231	4822 116 52276	3k9 5% 0,5W
3232	4822 050 11002	1k 1% 0,4W
3233	4822 116 83961	6k8 5%
3234	4822 116 83881	390R 5% 0,5W
3235	4822 116 83881	390R 5% 0,5W
3236	4822 116 83881	390R 5% 0,5W
3237	4822 116 83884	47k 5% 0,5W
3238	4822 116 52238	12k 5% 0,5W
3251	4822 116 52289	5k6 5% 0,5W
3252	4822 116 52219	330R 5% 0,5W
3253	4822 816 11096	△ 0R22 5% 1W
3254	4822 116 83884	47k 5% 0,5W
3261	4822 116 83961	6k8 5%
3262	4822 116 83881	390R 5% 0,5W
3263	4822 116 83881	390R 5% 0,5W
3264	4822 116 83881	390R 5% 0,5W
3265	4822 116 83884	47k 5% 0,5W
3266	4822 116 52238	12k 5% 0,5W

CAPACITORS

2205	4822 126 12785	47nF 50V
2210	5322 121 42578	100nF 5% 250V
2211	5322 121 42578	100nF 5% 250V
2212	4822 124 80563	4700uF 20% 35V
2213	4822 124 40207	100uF 20% 25V
2214	4822 124 40769	4,7uF 20% 100V
2215	4822 122 10577	3,3nF 10% 16V
2216	4822 124 40433	47uF 20% 25V
2217	4822 121 51387	10nF 20% 16V
2218	4822 124 41584	100uF 20% 10V
2219	4822 124 80791	470uF 20% 16V
2230	2020 561 90365	100nF +80/-20% 50V
2231	4822 124 40248	10uF 20% 63V
2232	4822 124 21913	1uF 20% 63V
2233	4822 124 80195	470uF 20% 10V
2240	4822 124 40255	100uF 20% 63V
2250	2020 012 93745	10000uF 20% 16V
2251	2020 012 93745	10000uF 20% 16V
2252	2020 561 90365	100nF +80/-20% 50V
2253	4822 124 40248	10uF 20% 63V
2254	4822 124 21913	1uF 20% 63V
2262	4822 124 81144	1000uF 16V
2263	4822 124 21913	1uF 20% 63V
2290	4822 124 40255	100uF 20% 63V
2291	4822 124 41584	100uF 20% 10V
2292	4822 124 81151	22uF 50V
2295	4822 124 40255	100uF 20% 63V
2296	4822 124 41584	100uF 20% 10V
2297	4822 124 81151	22uF 50V
2901	2020 561 90365	100nF +80/-20% 50V
2902	4822 121 43526	47nF 5% 250V
2903	4822 126 12785	47nF 50V
2904	2020 561 90365	100nF +80/-20% 50V
2905	4822 121 51387	10nF 20% 16V
2906	4822 121 40516	22nF 10% 250V
2907	4822 124 40255	100uF 20% 63V

ELECTRICAL PARTS LIST - SUPPLY & MAIN BOARDS**RESISTORS**

3289	4822 116 52238	12k 5% 0,5W
3290	4822 116 52303	8k2 5% 0,5W
3291	4822 116 83883	470R 5% 0,5W
3292	4822 050 11002	1k 1% 0,4W
3293	4822 116 52283	4k7 5% 0,5W
3294	4822 050 21003	10k 1% 0,6W
3295	4822 116 52303	8k2 5% 0,5W
3296	4822 116 83883	470R 5% 0,5W
3297	4822 050 21003	10k 1% 0,6W
3902	4822 050 21003	10k 1% 0,6W
3903	4822 050 24705	4M7 1% 0,6W
3904	4822 116 52219	330R 5% 0,5W
3905	4822 116 52228	680R 5% 0,5W
3906	4822 116 52234	100k 5% 0,5W
3907	4822 050 23303	33k 1% 0,6W
3908	4822 116 83866	1M 5% 0,5W
3909	4822 116 83883	470R 5% 0,5W
3910	4822 116 52256	2k2 5% 0,5W
3911	4822 116 52234	100k 5% 0,5W
3913	4822 116 83884	47k 5% 0,5W
3914	4822 116 83884	47k 5% 0,5W
3915	4822 053 20475	△ 4M7 5% 0,25W
3916	4822 116 52272	330k 5% 0,5W
3917	4822 116 52175	100R 5% 0,5W
3918	4822 116 52175	100R 5% 0,5W

COILS & FILTERS

5901	4822 157 11832	△ FIL MAINS 400uH
5902	4822 157 53473	Coil 1000uH 10%
5903	4822 157 53473	Coil 1000uH 10%
5904	4822 157 11228	Coil 100uH 5%
5905	2422 549 45157	△ Transformer Standby 3A1631N
5906	4822 157 11411	FXD IND BEAD 100MHz 80R
5907	4822 157 11411	FXD IND BEAD 100MHz 80R

DIODES

6201	4822 130 34173	BZX79-C5V6
6205	4822 130 30621	1N4148
6206	4822 130 30621	1N4148
6207	4822 130 34382	BZX79-C8V2
6210	4822 130 31878	1N4003G
6210	5322 130 80686	1N5392
6211	4822 130 31878	1N4003G
6211	5322 130 80686	1N5392
6212	4822 130 31878	1N4003G
6212	5322 130 80686	1N5392
6213	4822 130 31878	1N4003G
6213	5322 130 80686	1N5392
6215	4822 130 34488	BZX79-B11
6216	4822 130 34281	BZX79-C15
6217	4822 130 30621	1N4148

6218	4822 130 30621	1N4148
6230	4822 130 31878	1N4003G
6240	4822 130 31878	1N4003G
6250	9340 550 66112	BYV28-200/24
6251	9340 550 66112	BYV28-200/24
6252	4822 130 31878	1N4003G
6290	4822 130 31878	1N4003G
6291	4822 130 34173	BZX79-C5V6
6293	4822 130 34173	BZX79-C5V6
6294	4822 130 34278	BZX79-C6V8
6295	4822 130 31878	1N4003G
6296	4822 130 34173	BZX79-C5V6
6901	4822 130 31878	1N4003G
6902	4822 130 31878	1N4003G
6903	4822 130 30621	1N4148
6904	4822 130 30621	1N4148
6905	4822 130 30621	1N4148
6906	4822 130 31878	1N4003G
6907	4822 130 30621	1N4148
6908	4822 130 30621	1N4148
6909	4822 130 30621	1N4148
6910	4822 130 30621	1N4148
6911	4822 130 30621	1N4148
6912	4822 130 31878	1N4003G
6914	4822 130 30621	1N4148
6915	4822 130 34173	BZX79-C5V6
6916	4822 130 31878	1N4003G
6917	4822 130 34145	BZX79-C39
6918	4822 130 30621	1N4148

TRANSISTORS & INTEGRATED CIRCUITS

7201	4822 130 40959	BC547B
7210	9322 139 23687	△ BDX53BFP
7211	4822 130 40959	BC547B
7212	4822 130 40959	BC547B
7213	4822 130 40959	BC547B
7214	4822 130 40959	BC547B
7215	4822 130 40995	BD438
7216	4822 130 40959	BC547B
7230	4822 209 81351	IC LM317P
7231	4822 130 40959	BC547B
7232	4822 130 40995	BD438
7250	4822 209 12335	IC L4941
7251	4822 130 40959	BC547B
7252	4822 130 40995	BD438
7260	4822 209 12335	IC L4941
7261	4822 130 40959	BC547B
7262	4822 130 40995	BD438
7290	4822 130 40995	BD438
7295	4822 130 63615	BD241BFP
7901	4822 130 44568	BC557B

ELECTRICAL PARTS LIST - SUPPLY & MAIN BOARDS

7902	4822 130 40959	BC547B
7904	4822 130 40855	BC337-40
7905	4822 130 44568	BC557B
7906	4822 130 40981	BC337-25

Note : Only the parts mentioned in this list are normal service spare parts.

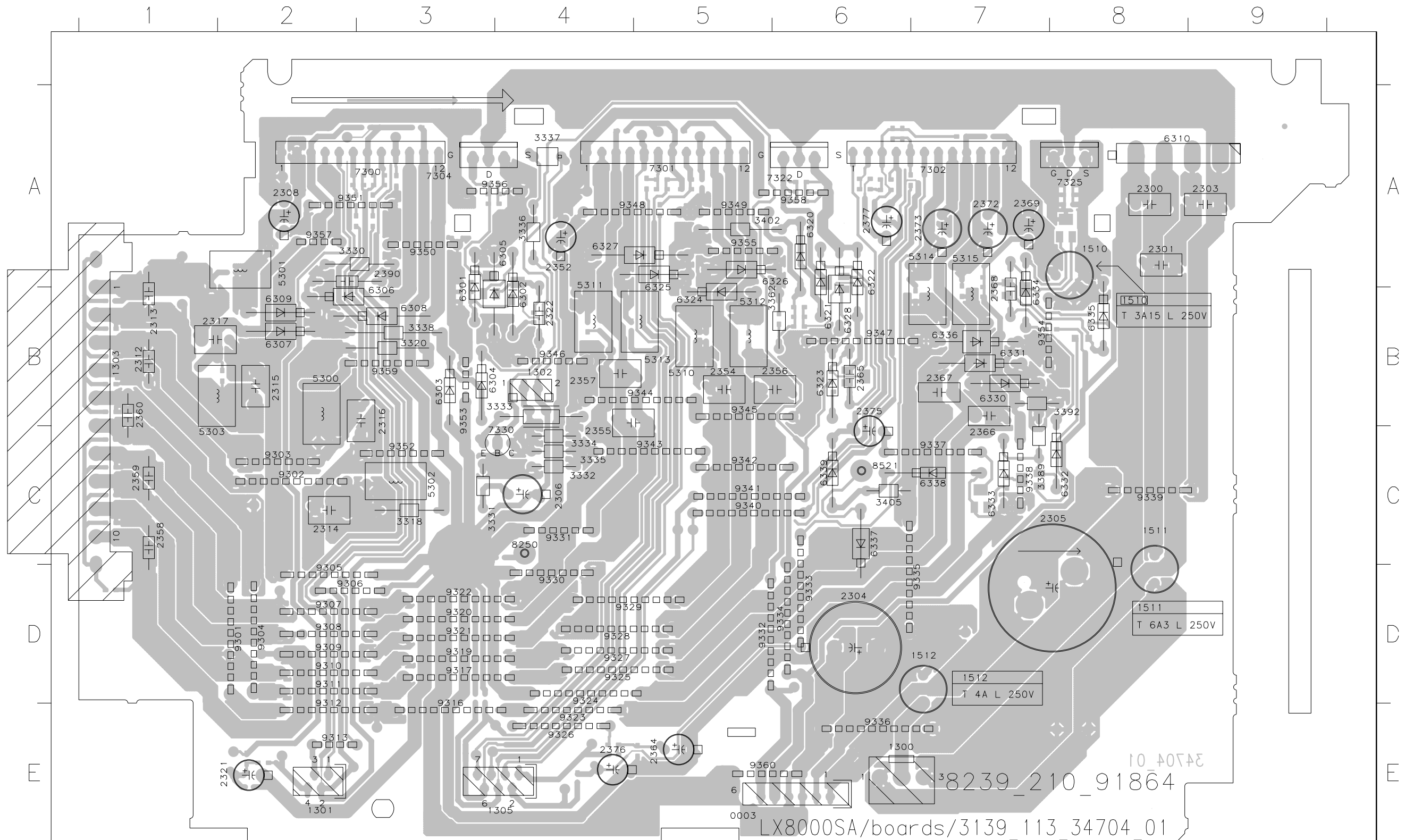
POWER AMPLIFIER BOARD

TABLE OF CONTENTS

Component Layout	9-2
Chip Layout	9-3
Circuit Diagram (Part 1)	9-4
Circuit Diagram (Part 2)	9-5
Electrical parts list	9-6

POWER AMPLIFIER BOARD - COMPONENT LAYOUT

0003	E5	2301	A8	2316	B3	2359	C1	2375	B6	3334	C4	5300	B2	6301	B3	6320	A6	6331	B7	7301	A5	9303	C2	9313	E2	9326	E4	9336	E6	9346	B4	9356	A3
1300	E6	2303	A9	2317	B1	2360	B1	2376	E4	3335	C4	5301	A2	6302	B4	6321	B6	6332	C8	7302	A7	9304	D2	9316	D3	9327	D4	9337	C7	9347	B6	9357	A2
1301	E2	2304	D6	2321	E2	2364	E5	2377	A6	3336	A4	5302	C3	6303	B3	6322	A6	6333	C7	7304	A3	9305	D2	9317	D3	9328	D4	9338	C7	9348	A4	9358	A6
1302	B4	2305	C8	2322	B4	2365	B6	2390	A3	3337	A4	5303	C1	6304	B3	6323	B6	6334	B7	7322	A6	9306	D2	9319	D3	9329	D4	9339	C8	9349	A5	9359	B3
1303	B1	2306	C4	2352	A4	2366	C7	3318	C3	3338	B3	5310	B5	6305	A4	6324	B5	6335	B8	7325	A8	9307	D2	9320	D3	9330	D4	9340	C5	9350	A3	9360	E5
1305	E4	2308	A2	2354	B5	2367	B7	3320	B3	3362	B5	5311	A4	6306	B3	6325	B5	6336	B7	7330	C4	9308	D2	9321	D3	9331	C4	9341	C5	9351	A2		
1510	A8	2312	B1	2355	C4	2368	B7	3330	A2	3389	C7	5312	B5	6307	B2	6326	A6	6337	C6	8250	C4	9309	D2	9322	D3	9332	D5	9342	C5	9352	C3		
1511	C8	2313	B1	2356	B6	2369	A7	3331	C3	3392	B8	5313	B5	6308	B3	6327	A4	6338	C7	8521	C6	9310	D2	9323	E4	9333	D6	9343	C5	9353	B3		
1512	D7	2314	C2	2357	B4	2372	A7	3332	C4	3402	A5	5314	A7	6309	B2	6328	B6	6339	C6	9301	D2	9311	D2	9324	D4	9334	D6	9344	B5	9354	B7		
2300	A8	2315	B2	2358	C1	2373	A7	3333	B4	3405	C6	5315	A7	6310	A8	6330	B7	7300	A3	9302	C2	9312	D2	9325	D4	9335	D7	9345	B5	9355	A5		



This assembly drawing shows a summary of all possible versions. For components used in a specific version see schematic diagram and respective parts list.

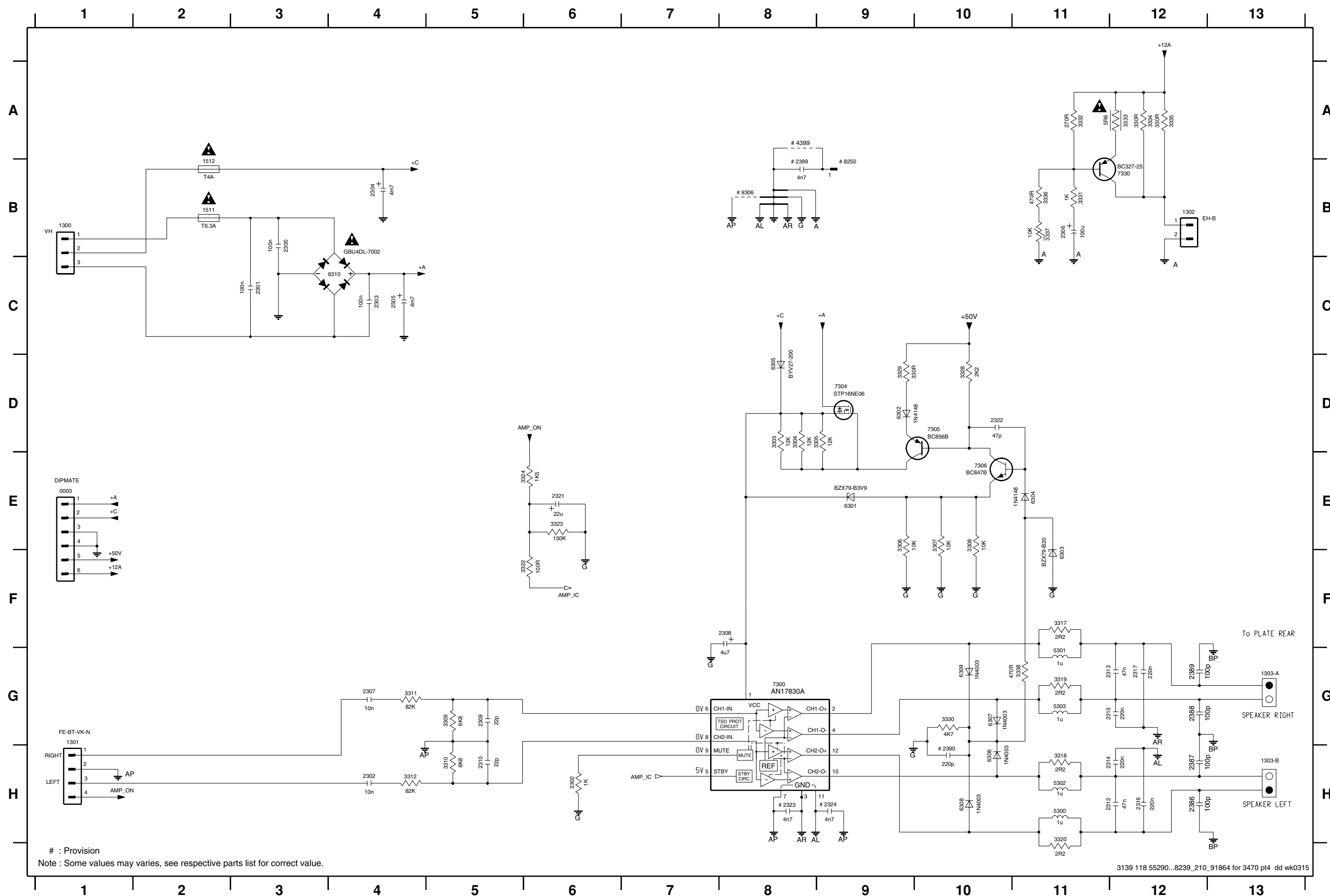
3139 113 3470 pt4 dd wk0315

LX8000SA/boards/3139_113_34704_01

8239_210_91864

34704_01

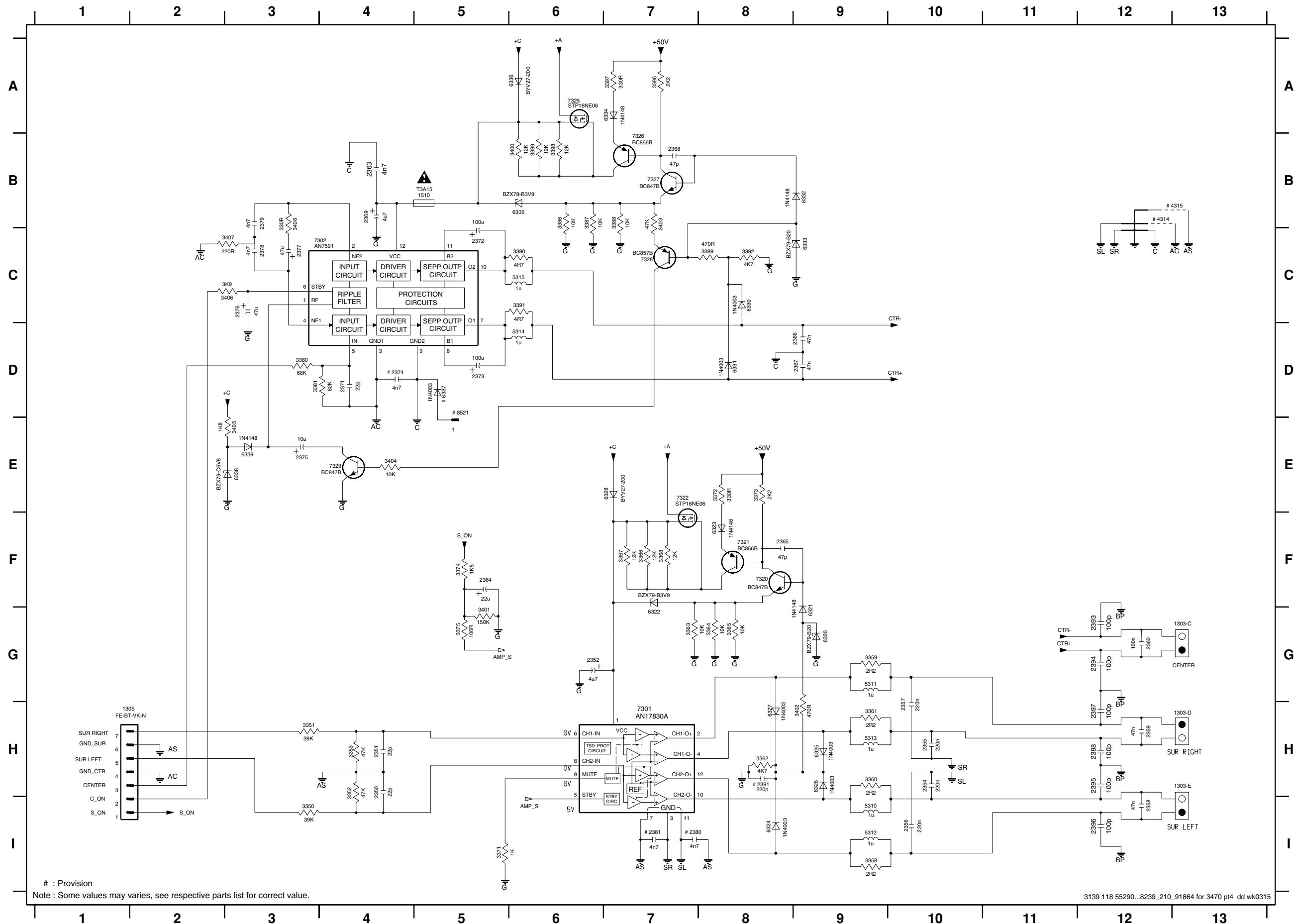
POWER AMPLIFIER BOARD - CIRCUIT DIAGRAM (PART 1)



- 0003 E1
- 1300 B1
- 1301 H1
- 1302 B12
- 1303-A G13
- 1303-B H13
- 1511 B2
- 1512 B2
- 2300 B3
- 2301 C3
- 2302 H4
- 2303 C4
- 2304 B4
- 2305 C4
- 2306 B11
- 2307 G4
- 2308 F8
- 2309 G5
- 2310 H5
- 2312 H12
- 2313 G12
- 2314 H12
- 2315 G12
- 2316 H12
- 2317 G12
- 2321 E6
- 2322 D10
- 2323 H8
- 2324 H9
- 2386 H12
- 2387 H12
- 2388 G12
- 2389 G12
- 2390 H10
- 2399 B8
- 3302 H6
- 3303 D8
- 3304 D8
- 3305 D9
- 3306 E9
- 3307 E10
- 3308 E10
- 3309 G5
- 3310 H5
- 3311 G4
- 3312 H4
- 3317 F11
- 3318 H11
- 3319 G11
- 3320 H11
- 3322 F6
- 3323 E6
- 3324 E6
- 3328 D10
- 3329 D9
- 3330 G10
- 3331 B11
- 3332 A11
- 3333 A12
- 3334 A12
- 3335 A12
- 3336 B11
- 3337 B11
- 3338 G11
- 4399 A8
- 5300 H11
- 5301 G11
- 5302 H11
- 5303 G11
- 6301 E9
- 6302 D9
- 6303 F11
- 6304 E11
- 6305 D8
- 6306 H10
- 6307 G10
- 6308 H10
- 6309 G10
- 6310 C4
- 7300 G8
- 7304 D9
- 7305 D10
- 7306 E10
- 7330 B11
- 8250 B9
- 9306 B8

: Provision
 Note : Some values may varies, see respective parts list for correct value.

POWER AMPLIFIER BOARD - CIRCUIT DIAGRAM (PART 2)



- 1303-C G13
- 1303-D H13
- 1303-E H13
- 1305 H1
- 1510 B5
- 2350 H4
- 2351 H4
- 2352 G6
- 2354 H10
- 2355 H10
- 2356 I10
- 2357 H10
- 2358 I12
- 2359 H12
- 2360 G12
- 2363 B4
- 2364 F5
- 2365 F8
- 2366 D8
- 2367 D9
- 2368 B7
- 2369 B4
- 2371 D4
- 2372 C5
- 2373 D5
- 2374 D4
- 2375 E3
- 2376 C3
- 2377 C3
- 2378 C3
- 2379 B3
- 2380 I7
- 2381 I7
- 2391 H8
- 2393 G12
- 2394 G12
- 2395 H12
- 2396 I12
- 2397 H12
- 2398 H12
- 3350 I3
- 3351 H3
- 3352 H4
- 3353 H4
- 3358 I9
- 3359 G9
- 3360 H9
- 3361 H9
- 3362 H8
- 3363 G7
- 3364 G8
- 3365 G8
- 3366 F7
- 3367 F7
- 3368 F7
- 3371 I5
- 3372 E8
- 3373 E8
- 3374 F5
- 3375 G5
- 3380 D3
- 3381 D3
- 3386 B6
- 3387 B6
- 3388 B7
- 3389 C8
- 3390 C6
- 3391 C6
- 3392 C8
- 3396 A7
- 3397 A7
- 3398 B6
- 3399 B6
- 3400 B6
- 3401 F5
- 3402 H9
- 3403 B7
- 3404 E4
- 3405 E3
- 3406 C3
- 3407 C3
- 3408 B3
- 4314 B12
- 4315 B13
- 5310 I9
- 5311 G9
- 5312 I9
- 5313 H9
- 5314 D6
- 5315 C6
- 6320 G9
- 6321 G9
- 6322 F7
- 6323 G7
- 6324 I8
- 6325 H9
- 6326 H9
- 6327 H9
- 6328 E7
- 6330 C8
- 6331 D8
- 6332 B9
- 6333 C9
- 6334 A7
- 6335 B6
- 6336 A6
- 6337 D5
- 6338 E3
- 6339 E3
- 7301 H7
- 7302 C3
- 7320 F8
- 7321 F8
- 7322 E7
- 7325 A6
- 7326 B7
- 7327 B7
- 7328 C7
- 7329 E4
- 8521 D5

: Provision
 Note : Some values may varies, see respective parts list for correct value.

ELECTRICAL PARTS LIST - POWER AMPLIFIER BOARD**MISCELLANEOUS**

0005	3139 114 75830	HOLDER IC AMP
1301	4822 267 10733	Flex Connector 4P
1303	2422 015 19764	Speaker Terminal Click 10P
1305	4822 267 10953	Flex Connector 7P
1510	4822 071 53152	△ Fuse RAD LT 3,15A 250V
1511	4822 252 51123	△ Fuse RAD LT 6,3A 250V
1512	9965 000 07786	△ FUSE RAD LT 4A 250V

CAPACITORS

2300	5322 121 42386	100nF 5% 63V
2301	5322 121 42386	100nF 5% 63V
2302	5322 126 11583	10nF 10% 50V
2303	5322 121 42386	100nF 5% 63V
2304	4822 124 12012	4700uF 20% 25V
2305	4822 124 80415	4700uF 20% 50V
2306	4822 124 40207	100uF 20% 25V
2307	5322 126 11583	10nF 10% 50V
2308	4822 124 40769	4,7uF 20% 100V
2309	4822 122 33761	22pF 5% 50V
2310	4822 122 33761	22pF 5% 50V
2312	4822 126 12785	47nF 50V
2313	4822 126 12785	47nF 50V
2314	4822 121 42408	220nF 5% 63V
2315	4822 121 42408	220nF 5% 63V
2316	4822 121 42408	220nF 5% 63V
2317	4822 121 42408	220nF 5% 63V
2321	4822 124 81151	22uF 50V
2322	4822 122 33848	47pF 5% 50V
2350	4822 122 33761	22pF 5% 50V
2351	4822 122 33761	22pF 5% 50V
2352	4822 124 40769	4,7uF 20% 100V
2354	4822 121 42408	220nF 5% 63V
2355	4822 121 42408	220nF 5% 63V
2356	4822 121 42408	220nF 5% 63V
2357	4822 121 42408	220nF 5% 63V
2358	4822 126 12785	47nF 50V
2359	4822 126 12785	47nF 50V
2360	2020 561 90365	100nF +80/-20% 50V
2363	4822 126 13193	4,7nF 10% 63V
2364	4822 124 81151	22uF 50V
2365	4822 122 33848	47pF 5% 50V
2366	4822 121 43526	47nF 5% 250V
2367	4822 121 43526	47nF 5% 250V
2368	4822 122 33848	47pF 5% 50V
2369	4822 124 40769	4,7uF 20% 100V
2371	4822 122 33761	22pF 5% 50V
2372	4822 124 40207	100uF 20% 25V
2373	4822 124 40207	100uF 20% 25V
2375	4822 124 40248	10uF 20% 63V
2376	4822 124 40433	47uF 20% 25V
2377	4822 124 40433	47uF 20% 25V
2378	4822 126 13193	4,7nF 10% 63V

2379	4822 126 13193	4,7nF 10% 63V
2386	2020 552 94427	100pF 5% 50V
2387	2020 552 94427	100pF 5% 50V
2388	2020 552 94427	100pF 5% 50V
2389	2020 552 94427	100pF 5% 50V
2393	2020 552 94427	100pF 5% 50V
2394	2020 552 94427	100pF 5% 50V
2395	2020 552 94427	100pF 5% 50V
2396	2020 552 94427	100pF 5% 50V
2397	2020 552 94427	100pF 5% 50V
2398	2020 552 94427	100pF 5% 50V

RESISTORS

3302	4822 051 30102	1k 5% 0,062W
3303	4822 051 30123	12k 5% 0,062W
3304	4822 051 30123	12k 5% 0,062W
3305	4822 051 30123	12k 5% 0,062W
3306	4822 051 30103	10k 5% 0,062W
3307	4822 051 30103	10k 5% 0,062W
3308	4822 051 30103	10k 5% 0,062W
3309	4822 051 30682	6k8 5% 0,062W
3310	4822 051 30682	6k8 5% 0,062W
3311	4822 117 12864	82k 5% 0,6W
3312	4822 117 12864	82k 5% 0,6W
3317	4822 117 13613	2R2 5%
3318	4822 116 81154	2R2 5% 0,5W
3319	4822 117 13613	2R2 5%
3320	4822 116 81154	2R2 5% 0,5W
3322	4822 051 30101	100R 5% 0,062W
3323	4822 051 30154	150k 5% 0,062W
3324	4822 051 30152	1k5 5% 0,062W
3328	4822 051 30222	2k2 5% 0,062W
3329	4822 051 30331	330R 5% 0,062W
3330	4822 116 52283	4k7 5% 0,5W
3331	4822 050 11002	1k 1% 0,4W
3332	4822 116 83876	270R 5% 0,5W
3333	4822 052 10568	△ 5R6 5% 0,33W
3334	4822 116 52219	330R 5% 0,5W
3335	4822 116 52219	330R 5% 0,5W
3336	4822 116 83883	470R 5% 0,5W
3337	4822 117 12063	NTC DC 5W 10k 5%
3338	4822 116 83883	470R 5% 0,5W
3350	4822 051 30393	39k 5% 0,062W
3351	4822 051 30393	39k 5% 0,062W
3352	4822 117 12925	47k 1% 0,063W
3353	4822 117 12925	47k 1% 0,063W
3358	4822 117 13613	2R2 5%
3359	4822 117 13613	2R2 5%
3360	4822 117 13613	2R2 5%
3361	4822 117 13613	2R2 5%
3362	4822 116 52283	4k7 5% 0,5W
3363	4822 051 30103	10k 5% 0,062W

ELECTRICAL PARTS LIST - POWER AMPLIFIER BOARD

3364	4822 051 30103	10k 5% 0,062W
3365	4822 051 30103	10k 5% 0,062W
3366	4822 051 30123	12k 5% 0,062W
3367	4822 051 30123	12k 5% 0,062W
3368	4822 051 30123	12k 5% 0,062W
3371	4822 051 30102	1k 5% 0,062W
3372	4822 051 30331	330R 5% 0,062W
3373	4822 051 30222	2k2 5% 0,062W
3374	4822 051 30152	1k5 5% 0,062W
3375	4822 051 30101	100R 5% 0,062W
3380	4822 051 30683	68k 5% 0,062W
3381	4822 117 12864	82k 5% 0,6W
3386	4822 051 30103	10k 5% 0,062W
3387	4822 051 30103	10k 5% 0,062W
3388	4822 051 30103	10k 5% 0,062W
3389	4822 116 83883	470R 5% 0,5W
3390	4822 117 13608	4,7R 5% 0,0016W
3391	4822 117 13608	4,7R 5% 0,0016W
3392	4822 116 52283	4k7 5% 0,5W
3396	4822 051 30222	2k2 5% 0,062W
3397	4822 051 30331	330R 5% 0,062W
3398	4822 051 30123	12k 5% 0,062W
3399	4822 051 30123	12k 5% 0,062W
3400	4822 051 30123	12k 5% 0,062W
3401	4822 051 30154	150k 5% 0,062W
3402	4822 116 83883	470R 5% 0,5W
3403	4822 117 10834	47k 1% 0,1W
3404	4822 051 30103	10k 5% 0,062W
3405	4822 116 52249	1k8 5% 0,5W
3406	4822 051 30392	3k9 5% 0,063W
3407	4822 051 30221	220R 5% 0,062W
3408	4822 051 30331	330R 5% 0,062W

COILS & FILTERS

5300	4822 157 62255	Coil 18,5 Turns
5301	4822 157 62255	Coil 18,5 Turns
5302	4822 157 62255	Coil 18,5 Turns
5303	4822 157 62255	Coil 18,5 Turns
5310	4822 157 62255	Coil 18,5 Turns
5311	4822 157 62255	Coil 18,5 Turns
5312	4822 157 62255	Coil 18,5 Turns
5313	4822 157 62255	Coil 18,5 Turns
5314	4822 157 62255	Coil 18,5 Turns
5315	4822 157 62255	Coil 18,5 Turns

DIODES

6301	3198 010 53980	BZX79-B3V9
6302	4822 130 30621	1N4148
6303	4822 130 34499	BZX79-B20
6304	4822 130 30621	1N4148
6305	5322 130 31938	BYV27-200
6306	4822 130 31878	1N4003G

6307	4822 130 31878	1N4003G
6308	4822 130 31878	1N4003G
6309	4822 130 31878	1N4003G
6310	9322 138 05667	△ BRIDGE GBU4DL-7002
6320	4822 130 34499	BZX79-B20
6321	4822 130 30621	1N4148
6322	3198 010 53980	BZX79-B3V9
6323	4822 130 30621	1N4148
6324	4822 130 31878	1N4003G
6325	4822 130 31878	1N4003G
6326	4822 130 31878	1N4003G
6327	4822 130 31878	1N4003G
6328	5322 130 31938	BYV27-200
6330	4822 130 31878	1N4003G
6331	4822 130 31878	1N4003G
6332	4822 130 30621	1N4148
6333	4822 130 34499	BZX79-B20
6334	4822 130 30621	1N4148
6335	3198 010 53980	BZX79-B3V9
6336	5322 130 31938	BYV27-200
6338	4822 130 34278	BZX79-C6V8
6339	4822 130 30621	1N4148

TRANSISTORS & INTEGRATED CIRCUITS

7300	9322 174 32682	IC AN17830A
7301	9322 174 32682	IC AN17830A
7302	9322 153 02682	IC AN7591
7304	4822 130 11336	STP16NE06FP
7305	4822 130 60373	BC856B
7306	5322 130 60159	BC847B
7320	5322 130 60159	BC847B
7321	4822 130 60373	BC856B
7322	4822 130 11336	STP16NE06FP
7325	4822 130 11336	STP16NE06FP
7326	4822 130 60373	BC856B
7327	5322 130 60159	BC847B
7328	4822 130 60373	BC857B
7329	5322 130 60159	BC847B
7330	4822 130 41246	BC327-25

Note : Only the parts mentioned in this list are normal service spare parts.

Brief introduction of the AVC (Audio, Video and Control) BOARD

The AVC Board consists of the Microprocessor of the set, eeprom, RDS decoder, backlight control, video buffer and the following:

- a. **IC CS4362**
A 6 channel DAC IC CS4362 which interfaces with the DVD module. It accepts PCM data at sample rates from 4kHz to 192 kHz and DSD audio data. It has 6 differential outputs. The outputs are fed into opm amplifiers for eqlization and conversion into single end outputs.
- b. **IC TDA7468D**
IC TDA7468D which includes functions such as source selection, sound control, volume control and muting function. Sound features such as DSC and IS are controllable via I²C Bus from the microprocessor. The IC caters for 4 input sources, namely TUNER, DVD, TV IN and MUX IN.

MUX IN is further multiplexed between AUX IN and DIGITAL IN by IC HEF4053BT. Input networks are included to provide appropriate attenuation for various sources.
- c. **SCART OUTPUT**
Scart output for audio/video connection to TV (Not in all versions).
- d. **LINE OUT**
Line out with cinch socket for connection to external amplifier.
- e. **CENTER OUT**
Center out with cinch socket for connection to active center speaker.
- f. **SUBWOOFER OUTPUT**
Subwoofer output with cinch socket for connection to active subwoofer speaker.
- g. **HEADPHONE AMPLIFIER**
Headphone amplifier to drive 32 ohm to 1kohm headphone.
The Headphone socket is not situated in this AVC Board but in the Key & Control Board.
- h. **DIGITAL OUT**
Digital out with cinch socket for connection to Digital in of other audio equipment.
- i. **DIGITAL IN**
Digital in with cinch socket for connection to Digital out of other audio equipment.
- j. **YUV OUT**
YUV out with cinch socket for connection to TV (Not in all versions).

AVC BOARD

TABLE OF CONTENTS

Brief Introduction	10-1
Top View Layout	10-2
Top View Layout (Mapping)	10-3
Top View Layout (Portion A)	10-4
Top View Layout (Portion B)	10-5
Top View Layout (Portion C)	10-6
Top View Layout (Portion D)	10-7
Bottom View Layout	10-8
Circuit Diagram (Part 1)	10-9
Circuit Diagram (Part 2)	10-10
Circuit Diagram (Part 3)	10-11
Circuit Diagram (Part 4)	10-12
Circuit Diagram (Part 5)	10-13
Circuit Diagram (Part 6)	10-14
Circuit Diagram (Part 7)	10-15
Electrical parts list	10-16

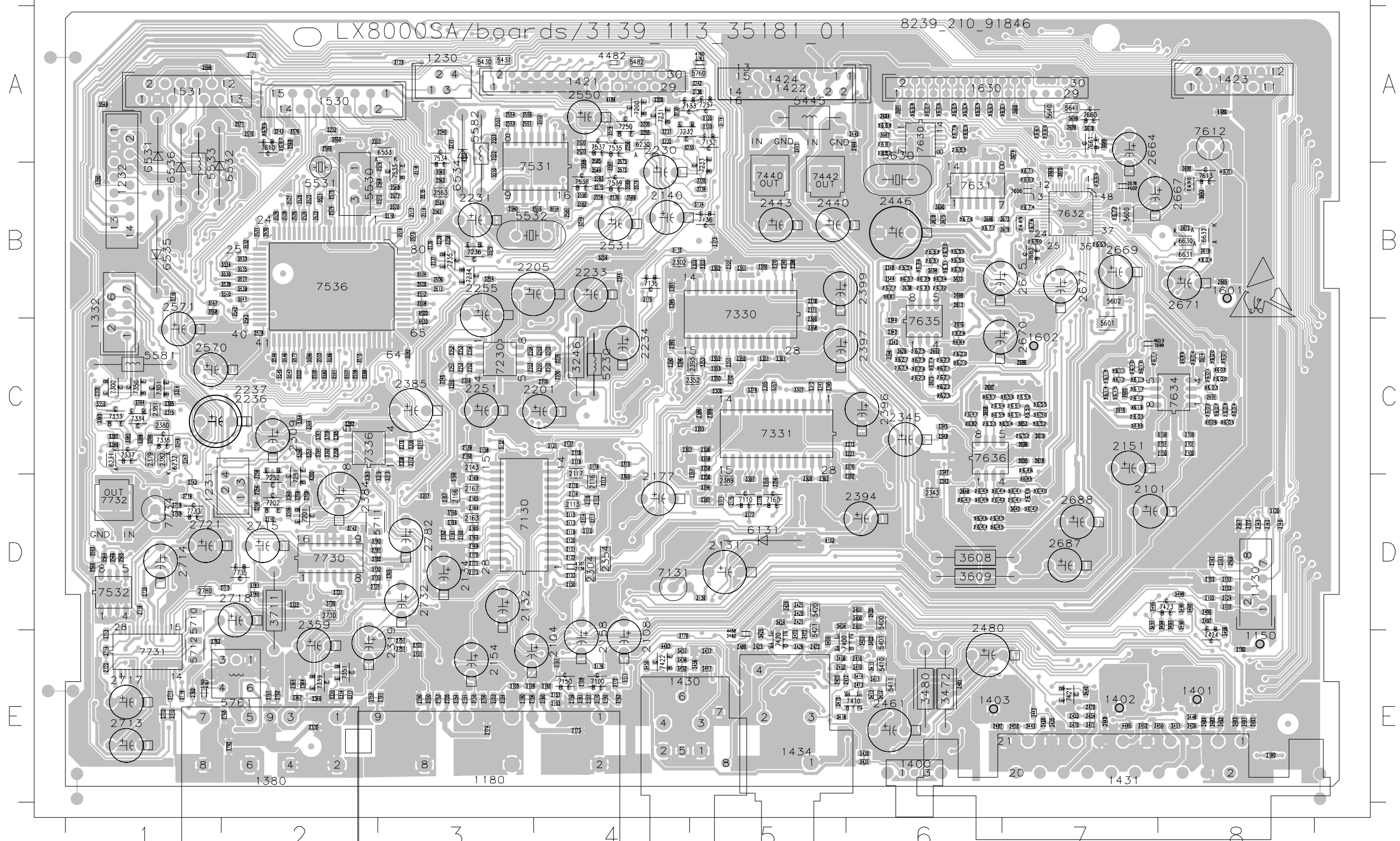
AVC BOARD - TOP VIEW LAYOUT

Portion A

Portion B

This assembly drawing shows a summary of all possible versions. For components used in a specific version see schematic diagram and respective parts list.

3139 113 3518 pt1 dd wk0315



Portion C

Portion D

AVC BOARD - TOP VIEW LAYOUT (MAPPING)

1130	D8	2152	D8	2307	C4	2410	E6	2569	A2	2661	A7	2761	E2	3169	D3	3303	B5	3393	C5	3508	B3	3568	B1	3632	B6	3690	B6	5430	A3	7300	C1
1150	E8	2153	E3	2308	C3	2411	E6	2570	C1	2662	B7	2762	E2	3170	E4	3304	C2	3394	D5	3509	C2	3569	B4	3633	B6	3691	A6	5431	A3	7301	C1
1180	E3	2154	E3	2309	C2	2412	E6	2571	B1	2663	A6	2763	E1	3171	D5	3305	C1	3395	B4	3510	C2	3570	A2	3634	B6	3692	B8	5445	A5	7330	B5
1230	A3	2157	E4	2310	B5	2413	E6	2572	B3	2664	A7	2765	E2	3172	B4	3306	D5	3396	C4	3511	B3	3571	A2	3635	B6	3693	B8	5482	A4	7331	C5
1231	D1	2158	E4	2311	B5	2420	D5	2573	B3	2665	B7	2780	D1	3173	B5	3307	C5	3397	D5	3512	B3	3572	B4	3636	B6	3696	A2	5530	B2	7333	C1
1232	B1	2159	E4	2312	C5	2421	D5	2574	B2	2666	B7	2781	D2	3174	A5	3308	C5	3400	D6	3513	B3	3573	A4	3637	B6	3697	A2	5531	B2	7334	C1
1332	B1	2160	D3	2313	C6	2422	E5	2575	B2	2667	B8	2782	D3	3175	B4	3309	C3	3401	D6	3514	B3	3574	B4	3638	B6	3698	A7	5532	B3	7335	C1
1400	E6	2161	D3	2314	E2	2423	E5	2576	B3	2669	B7	2790	E3	3176	E4	3310	C4	3402	E6	3515	B3	3575	B4	3639	B6	3699	A7	5533	B1	7336	C2
1401	E8	2162	D3	2315	C3	2426	E8	2577	B3	2670	C7	2791	E3	3177	D5	3311	C3	3403	E6	3516	B3	3576	A2	3640	D7	3700	E3	5581	C1	7337	C1
1402	E7	2163	D3	2319	E3	2435	E7	2578	C2	2671	B8	2792	E2	3180	E8	3312	C3	3404	D5	3517	B3	3577	C2	3641	D7	3701	E3	5582	A3	7339	E2
1403	E6	2164	D3	2330	E2	2436	E4	2580	B3	2672	B7	3100	C8	3181	E4	3313	D3	3405	E5	3518	B3	3579	A4	3642	D7	3710	E1	5600	B7	7350	C1
1421	A4	2165	D3	2340	B5	2437	E5	2581	B4	2674	B7	3101	C8	3182	E4	3314	C1	3406	E5	3519	B3	3580	C2	3643	D7	3711	D2	5601	C7	7351	E2
1422	A5	2166	D3	2341	C5	2440	B5	2600	C8	2675	B7	3102	D8	3200	C4	3315	C1	3410	E6	3520	B3	3581	C2	3644	D6	3713	E1	5602	B7	7400	E5
1423	A8	2167	D3	2342	C6	2441	A5	2601	C8	2676	B7	3104	E3	3201	C4	3316	C5	3411	E6	3521	B2	3582	B4	3645	D6	3714	E1	5630	A6	7410	E6
1424	A5	2168	C3	2343	D6	2443	B5	2602	C8	2677	B7	3105	E3	3202	C4	3317	E2	3412	E6	3522	B2	3583	B4	3646	D6	3715	D2	5640	A7	7420	E5
1430	E4	2169	D3	2344	C6	2444	A6	2603	C8	2678	B7	3106	E3	3203	C4	3318	B5	3413	E6	3523	B2	3584	B4	3647	D6	3716	B1	5641	A7	7421	E7
1431	E7	2170	D3	2345	C6	2445	A6	2604	C8	2679	A6	3110	E4	3204	B4	3319	D3	3414	E6	3524	B2	3585	A4	3648	D6	3718	D1	5710	D1	7422	E4
1434	E5	2171	D3	2346	E2	2446	B6	2605	C7	2680	B7	3111	E4	3205	A4	3320	E2	3415	E5	3525	B2	3586	C2	3649	D6	3719	D1	5711	D2	7423	D8
1530	A2	2172	D3	2350	C5	2447	E5	2610	C7	2681	A6	3112	E4	3206	A4	3321	C6	3416	E5	3526	B2	3587	B4	3650	C7	3730	D2	5712	E1	7424	E8
1531	A1	2173	E4	2351	C5	2448	E8	2611	C7	2682	A6	3113	D4	3207	D3	3322	D2	3420	D5	3527	B2	3588	B4	3651	C7	3731	D2	5760	A5	7440	B5
1601	B8	2174	E3	2352	C5	2449	E7	2612	C7	2683	A6	3114	D4	3208	D2	3323	C6	3421	D5	3528	B2	3589	B4	3652	C7	3732	D2	5761	E2	7442	B5
1602	C7	2175	D5	2353	C5	2450	E8	2613	C7	2684	A6	3115	D4	3209	D2	3324	D6	3422	E5	3529	B2	3590	B4	3653	C7	3733	D2	6131	D5	7531	B4
1630	A6	2176	D5	2354	D4	2451	E8	2614	C8	2685	B8	3116	D4	3210	D2	3344	B6	3423	E5	3530	B2	3592	C3	3654	C7	3742	D2	6230	A4	7532	D1
2100	C8	2177	D4	2355	D5	2452	E7	2615	C7	2686	C7	3117	D4	3230	A4	3345	C6	3424	D5	3531	B2	3596	C2	3655	C7	3743	D1	6231	C1	7533	B3
2101	D7	2180	E8	2356	D5	2453	E7	2616	C6	2687	D7	3118	C4	3231	A4	3346	C6	3425	E5	3532	B2	3598	A1	3656	C7	3750	E2	6232	C1	7534	A3
2102	D8	2190	E3	2357	C5	2454	E7	2617	B6	2688	D7	3119	C4	3232	A4	3347	C6	3426	E5	3533	B2	3599	C2	3657	C6	3751	E3	6531	A1	7535	A4
2103	E3	2191	E3	2358	C2	2455	E7	2618	C7	2689	B7	3120	D8	3233	A4	3348	B6	3430	E6	3534	B2	3600	C8	3658	C6	3760	E1	6532	B1	7536	B2
2104	E4	2192	E4	2359	D2	2456	E5	2619	C7	2690	B8	3121	A2	3234	B5	3349	C6	3431	E6	3535	B2	3601	C8	3659	C6	3761	A5	6533	A3	7537	A4
2107	E4	2193	E4	2360	C5	2461	E6	2620	C6	2691	C8	3122	D8	3235	B5	3350	C5	3440	E7	3536	B2	3602	C8	3660	A7	3780	D2	6534	A3	7538	B4
2108	E4	2200	C4	2361	C5	2466	E7	2621	C6	2692	C7	3123	A3	3236	B3	3351	B5	3442	E7	3537	B2	3603	C8	3661	A7	3781	D2	6535	B1	7539	B4
2109	E4	2201	C4	2362	D6	2470	E7	2622	C6	2693	C6	3124	D8	3237	B3	3352	C5	3443	E7	3538	B2	3604	C8	3662	A6	3782	D2	6536	B1	7610	A2
2110	D4	2202	C4	2363	D5	2480	D6	2623	C6	2694	B6	3130	D5	3238	B3	3353	C5	3450	E4	3539	B2	3605	C8	3663	A6	3783	D2	6630	B8	7612	A8
2111	D4	2203	C3	2364	E2	2481	E6	2624	C6	2695	C7	3131	C4	3239	B3	3354	C2	3451	E4	3540	B2	3606	C8	3664	A6	4101	D4	6631	B8	7613	B8
2112	D4	2204	C3	2365	C2	2482	E5	2625	C6	2696	C7	3132	C3	3240	A3	3355	C1	3452	E4	3541	B2	3607	C8	3665	A6	4102	C5	6632	B8	7630	A6
2113	D4	2205	B3	2379	C1	2483	E8	2626	C6	2697	C6	3133	A5	3241	A3	3356	D5	3470	E7	3542	B2	3608	D6	3666	A6	4103	D5	7100	E4	7631	B6
2114	D4	2206	D2	2380	C1	2484	E8	2627	B6	2698	B6	3134	B5	3242	A5	3357	C5	3471	E7	3543	C2	3609	D6	3667	A6	4200	D2	7110	D5	7632	B7
2115	D4	2230	A4	2381	C1	2486	E5	2630	B6	2699	C8	3135	A5	3243	A2	3358	C5	3472	E6	3544	C2	3610	C7	3668	A6	4482	A4	7130	D3	7634	C8
2116	D4	2231	B3	2382	C1	2487	E6	2631	B6	2701	E3	3136	A5	3244	B4	3359	C2	3480	E6	3545	C2	3611	C7	3669	B7	4483	E4	7131	D4	7635	C6
2117	C4	2232	A2	2384	D2	2490	D8	2632	B6	2705	E3	3140	D8	3245	C3	3360	D4	3481	E8	3546	C2	3612	C7	3670	B7	4484	A4	7132	A5	7636	C6
2118	C4	2233	B4	2385	C3	2491	E8	2633	B6	2706	E3	3141	D8	3246	C4	3361	C2	3482	E8	3547	C2	3613	C7	3671	B7	4485	E7	7133	A4	7660	A7
2119	D4	2234	C4	2386	C5	2492	E8	2634	B6	2709	D1	3142	D8	3247	C1	3362	C2	3490	D8	3548	B3	3614	C7	3672	B8	4486	A8	7135	B4	7661	A7
2120	D4	2235	C4	2387	D5	2530	B4	2635	B6	2710	E1	3143	D8	3248	C1	3363	D2	3491	D7	3549	A1	3615	C7	3673	B7	4488	E5	7136	B5	7662	B7
2121	D4	2236	C1	2388	C5	2531	B4	2640	D7	2711	E1	3150	C8	3249	B4	3364	E2	3492	D8	3550	B3	3616	C7	3674	A7	4500	B3	7150	E4	7730	D2
2122	D4	2237	C1	2389	D5	2532	A4	2641	D7	2713	E1	3151	C8	3250	C3	3365	D3	3493	D8	3551	A3	3617	C7	3675	B6	4501	A3	7160	D5	7731	E1
2130	D4	2250	C3	2390	C4	2533	A4	2642	D6	2714	D1	3152	D8	3251	C3	3367	E2	3494	D8	3552	A3	3618	A7	3676	B6	4530	C3	7200	A4	7732	D1
2131	D5	2251	C3	2391	B4	2550	A4	2643	D6	2715	D2	3153	D8	3252	C3	3368	C5	3495	D7	3553	A3	3619	B8	3677	B6	4601	B8	7201	D2	7733	D1
2132	D3	2252	C3	2392	C4	2551	A3	2644	D6	2716	D1	3154	E3	3253	C3	3370	C6	3496	D8	3554	B4	3620	C6	3678	B6	4602	B7	7202	D2	7734	D1
2133	D4	2253	C3	2393	C5	2552	A4	2645	D6	2717	E1	3155	E3	3254	B3	3382	C1	3497	D8	3555	B4	3621	C6	3679	B7	4603	C8	7230	C3	7735	D2
2134	D3	2254	C3	2394	D6	2553	A3	2646	C7	2718	D2	3156	E3	3255	A4	3383	C1	3498	E8	3556	A3	3622	C6	3680	C7	4604	B8	7231	A4		
2136	D4	2255	B3	2395	C5	2554	A3	2647	C6	2719	E1	3160	E4	3256	A4	3384	C1	3499	D8	3559	B4	3623	C6	3681	B6	4760	A5	7232	A4		
2137	C4	2256	D2	2																											

AVC BOARD - TOP VIEW LAYOUT (PORTION B)

5

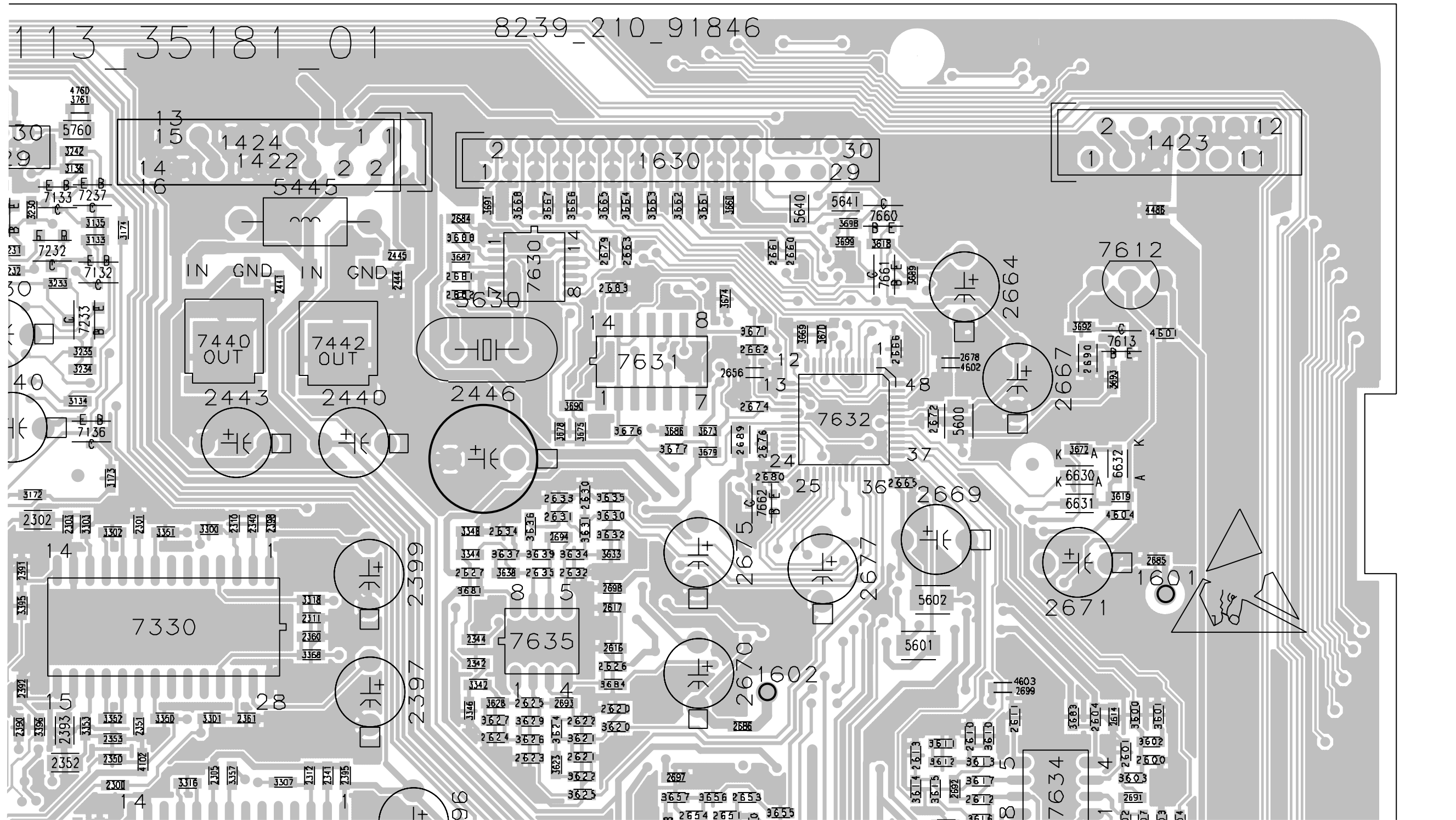
6

7

8

See schematic diagram and respective parts list.

3139 113 3518 pt1 dd wk0315

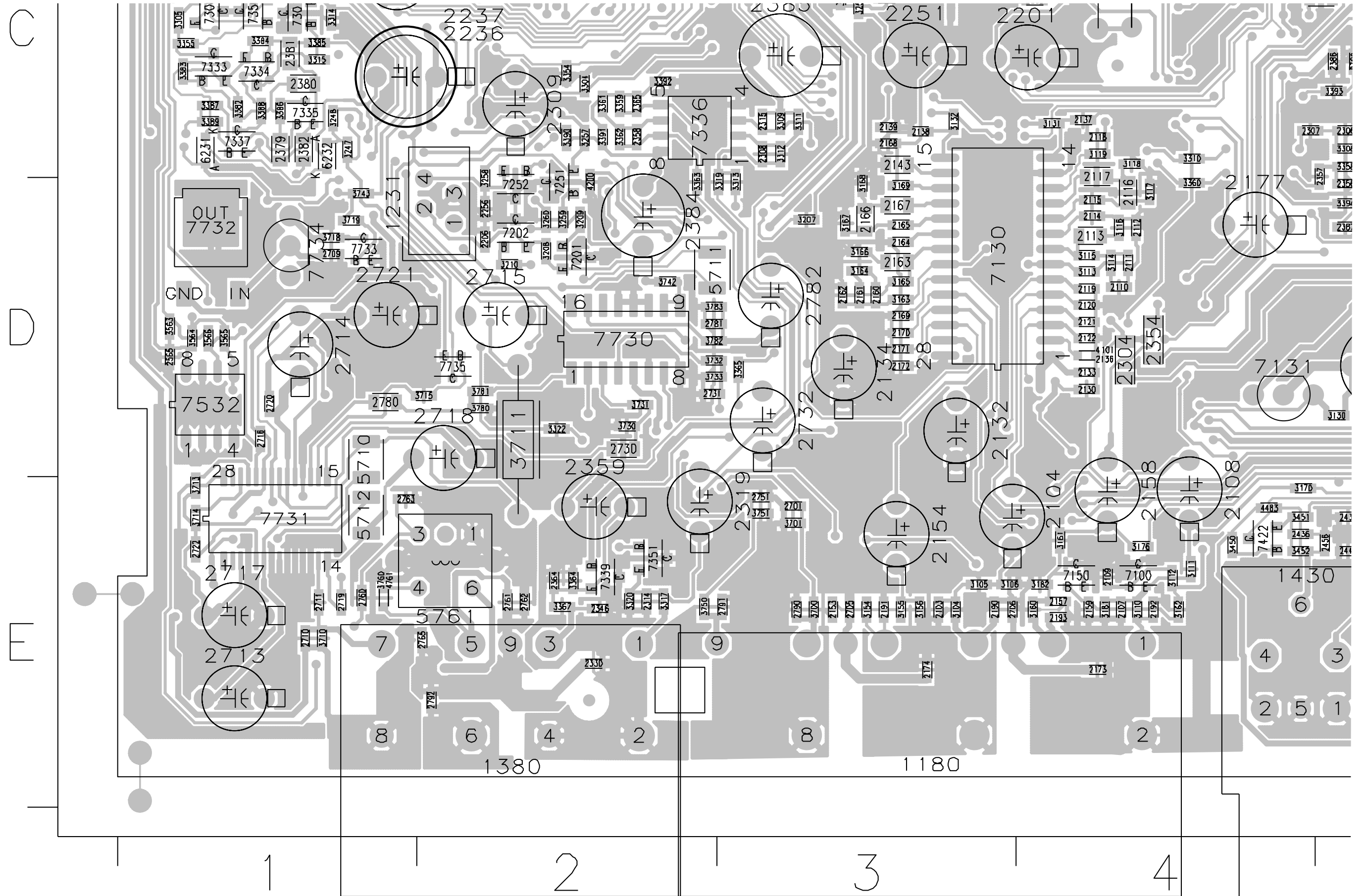


A

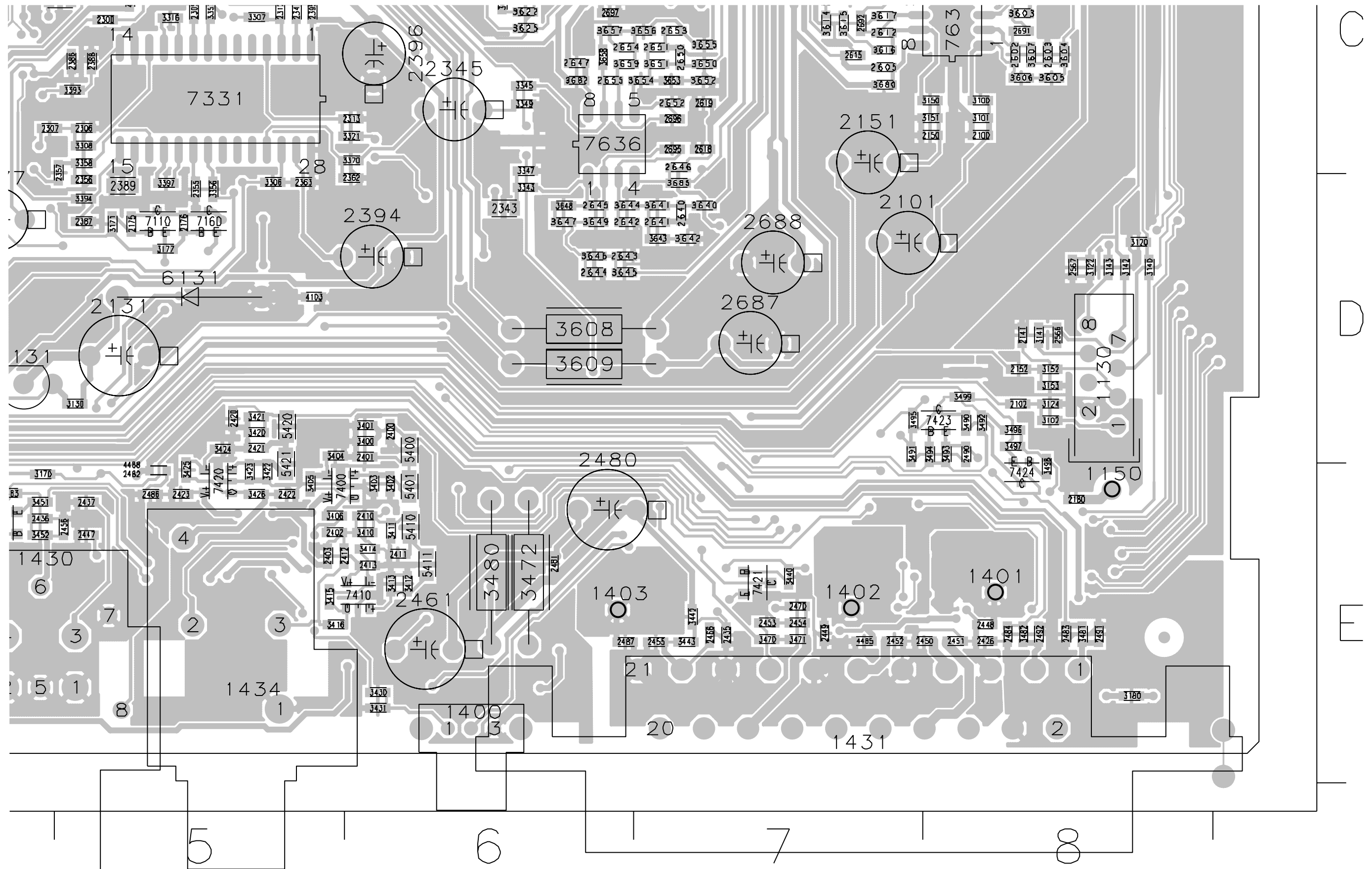
B

C

AVC BOARD - TOP VIEW LAYOUT (PORTION C)



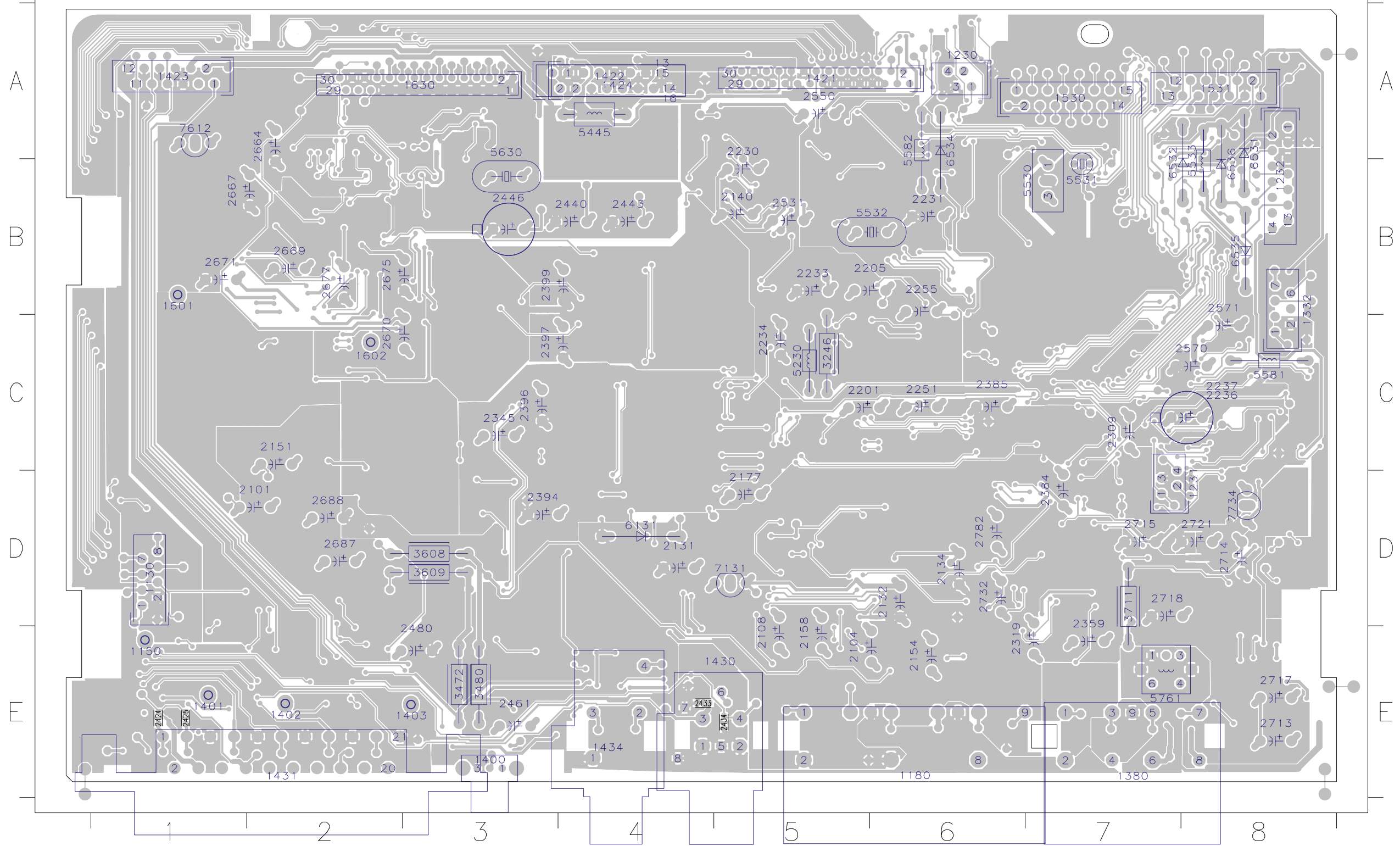
AVC BOARD - TOP VIEW LAYOUT (PORTION D)



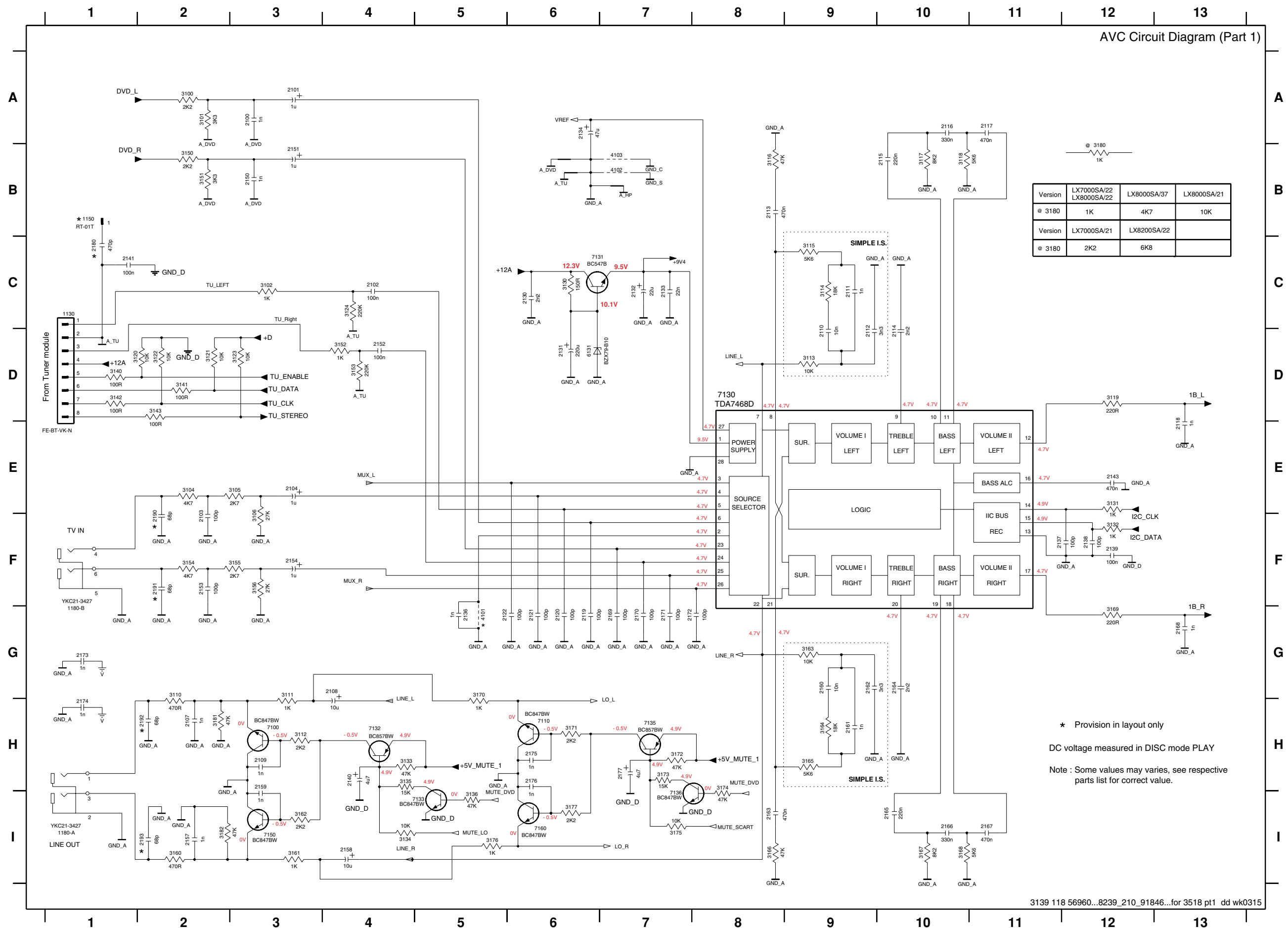
AVC BOARD - BOTTOM VIEW LAYOUT

1130 D1	1400 E3	1424 A4	1602 C2	2134 D6	2205 B6	2251 C6	2385 C6	2433 E4	2531 B5	2670 C2	2714 D8	3246 C5	5445 A4	5630 A3	6536 B8
1150 E1	1401 E1	1430 E5	1630 A3	2140 B5	2230 A5	2255 B6	2394 D3	2434 E5	2550 A5	2671 B1	2715 D7	3472 E3	5530 B7	5761 E7	7131 D5
1180 E6	1402 E2	1431 E2	2101 D2	2151 C2	2231 B6	2309 C7	2396 C3	2440 B4	2570 C8	2675 B2	2717 F8	3480 E3	5531 B7	6131 D4	7612 A1
1230 A6	1403 E3	1434 E4	2104 E5	2154 E6	2233 B5	2319 E6	2397 C3	2443 B4	2571 B8	2677 B2	2718 D7	3608 D3	5532 B6	6531 A8	7734 D8
1231 D8	1421 A5	1530 A7	2108 E5	2158 E5	2234 C5	2345 C3	2399 B3	2446 B3	2664 A2	2687 D2	2721 D8	3609 D3	5533 B8	6532 B8	6532 B8
1232 B8	1422 A4	1531 A8	2131 D4	2177 D5	2236 C8	2359 D7	2424 E1	2461 E3	2667 B1	2688 D2	2732 D6	3711 D7	5581 C8	6534 A6	6534 A6
1332 B8	1423 A1	1601 B1	2132 D6	2201 C5	2237 C8	2384 D7	2425 E1	2480 D3	2669 B2	2713 E8	2782 D6	5230 C5	5582 A6	6535 B8	6535 B8

This assembly drawing shows a summary of all possible versions. For components used in a specific version see schematic diagram and respective parts list. 3139 113 3518 pt1 dd wk0315



AVC BOARD - CIRCUIT DIAGRAM (PART 1)

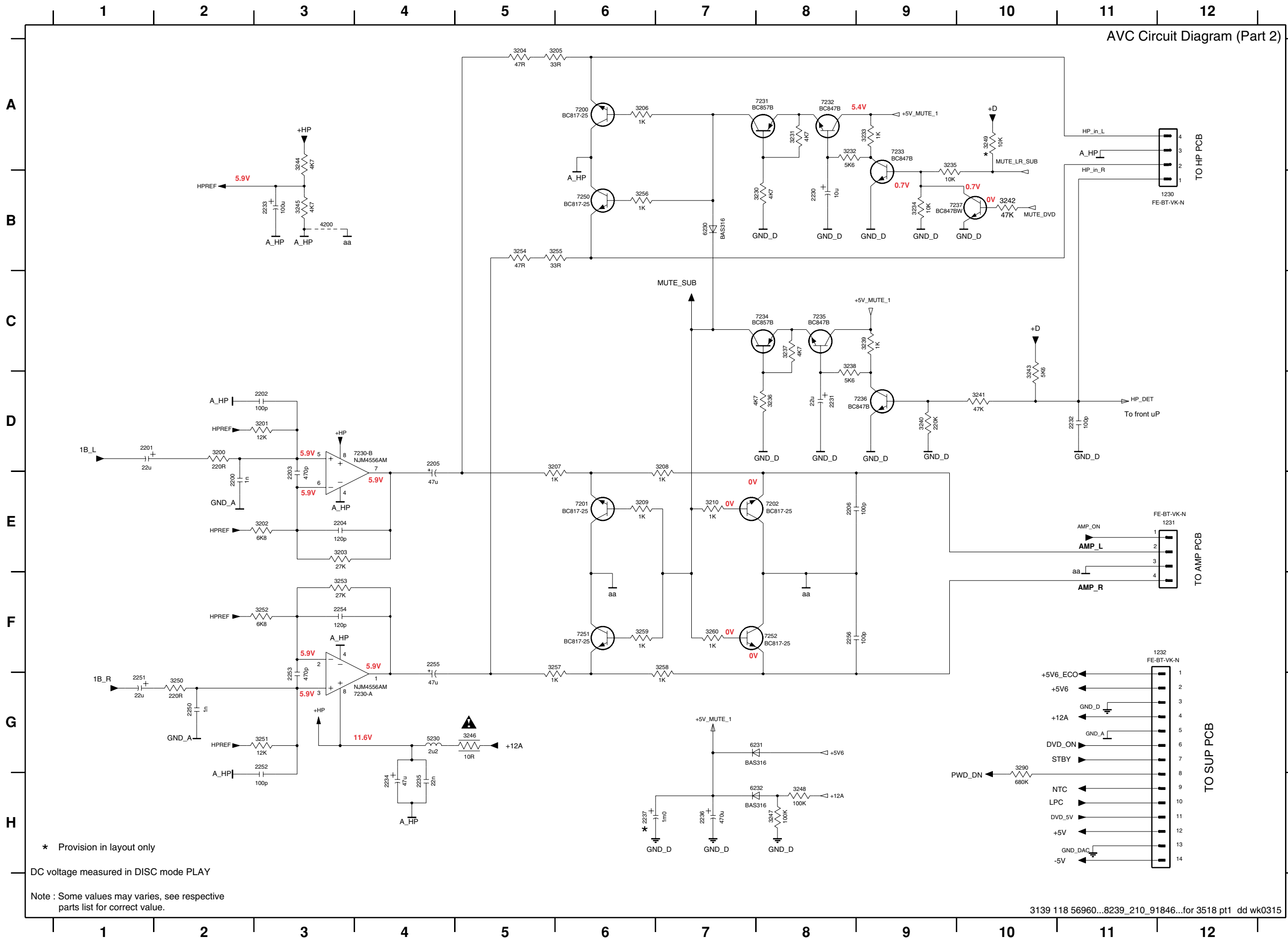


Version	LX7000SA/22 LX8000SA/22	LX8000SA/37	LX8000SA/21
@ 3180	1K	4K7	10K
Version	LX7000SA/21	LX8200SA/22	
@ 3180	2K2	6K8	

* Provision in layout only
 DC voltage measured in DISC mode PLAY
 Note : Some values may varies, see respective parts list for correct value.

- 1130 C1
- 1150 B1
- 1180-A I1
- 1180-B G1
- 2100 A3
- 2101 A3
- 2102 C4
- 2103 F2
- 2104 E3
- 2107 H2
- 2108 G4
- 2109 H3
- 2110 D9
- 2111 C9
- 2112 D9
- 2113 B8
- 2114 D10
- 2115 B10
- 2116 A10
- 2117 A11
- 2118 E13
- 2119 G6
- 2120 G6
- 2121 G6
- 2122 G5
- 2130 C6
- 2131 D6
- 2132 C7
- 2133 C7
- 2134 A6
- 2136 G5
- 2137 F11
- 2138 F12
- 2139 F12
- 2140 H4
- 2141 C1
- 2143 E12
- 2150 B3
- 2151 B3
- 2152 D4
- 2153 F2
- 2154 F3
- 2157 I2
- 2158 I4
- 2159 I3
- 2160 G9
- 2161 H9
- 2162 G9
- 2163 I8
- 2164 G10
- 2165 I10
- 2166 I10
- 2167 I11
- 2168 G13
- 2169 G7
- 2170 G7
- 2171 G7
- 2172 G7
- 2173 G1
- 2174 H1
- 2175 H6
- 2176 I6
- 2177 H7
- 2180 C1
- 2190 F2
- 2191 F2
- 2192 I2
- 2193 I2
- 3100 A2
- 3101 A2
- 3102 C3
- 3104 E2
- 3105 E3
- 3106 F3
- 3110 G2
- 3111 G3
- 3112 H3
- 3113 D9
- 3114 C9
- 3115 C9
- 3116 B8
- 3117 B10
- 3118 B10
- 3119 D12
- 3120 D1
- 3121 D2
- 3122 D2
- 3123 D3
- 3124 C4
- 3130 C6
- 3131 E12
- 3132 F12
- 3133 H4
- 3134 I4
- 3135 H4
- 3136 I5
- 3140 D1
- 3141 D2
- 3142 D1
- 3143 D2
- 3150 B2
- 3151 B2
- 3152 D4
- 3153 D4
- 3154 F2
- 3155 F3
- 3156 F3
- 3160 I2
- 3161 I3
- 3162 I3
- 3163 G9
- 3164 H9
- 3165 H9
- 3166 I8
- 3167 I10
- 3168 I10
- 3169 G12
- 3170 G5
- 3171 H6
- 3172 H7
- 3173 H7
- 3174 H8
- 3175 I7
- 3176 I5
- 3177 I6
- 3180 B12
- 3181 H2
- 3182 I2
- 4101 G5
- 4102 B7
- 4103 B7
- 6131 D6
- 7100 H3
- 7110 H6
- 7130 D8
- 7131 C6
- 7132 H4
- 7135 H7
- 7136 I7
- 7150 I3
- 7160 I6

AVC BOARD - CIRCUIT DIAGRAM (PART 2)



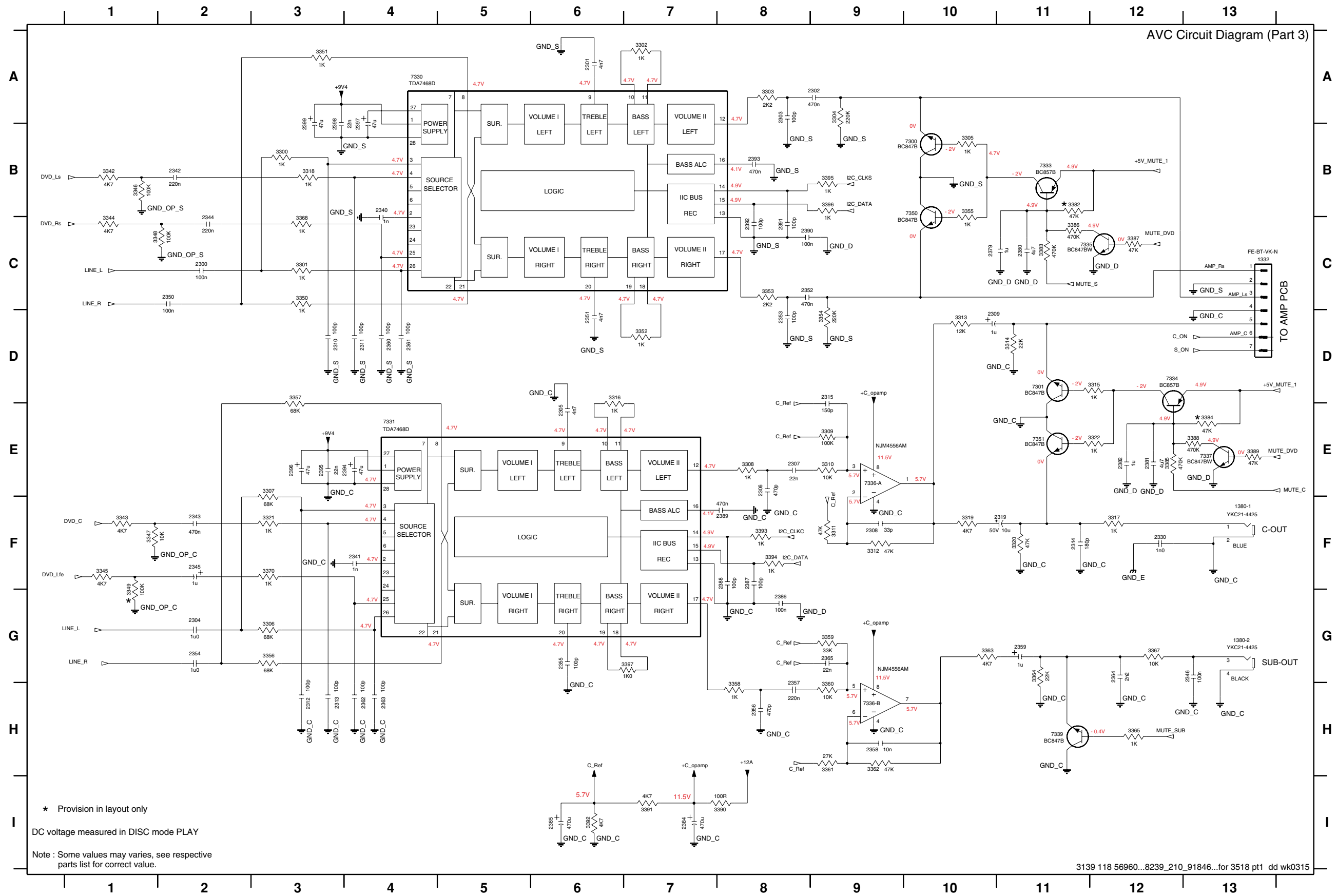
* Provision in layout only

DC voltage measured in DISC mode PLAY

Note : Some values may varies, see respective parts list for correct value.

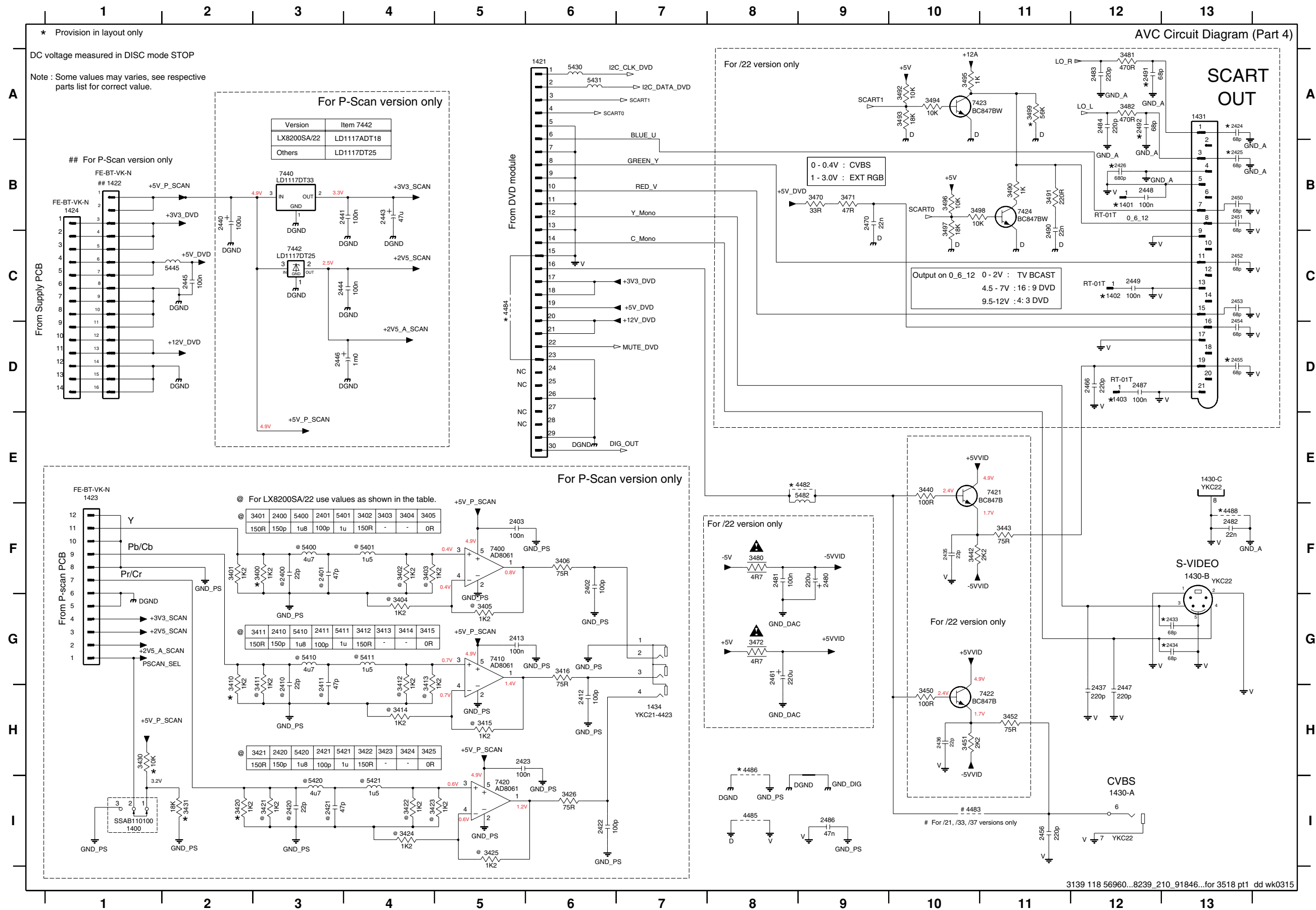
- 1230 B12
- 1231 E12
- 1232 F11
- 2200 E2
- 2201 D1
- 2202 D3
- 2203 E3
- 2204 E3
- 2205 D4
- 2206 E8
- 2230 B8
- 2231 D8
- 2232 D11
- 2233 B3
- 2234 H4
- 2235 H4
- 2236 H7
- 2237 H6
- 2250 G2
- 2251 G1
- 2252 G3
- 2253 G3
- 2254 F3
- 2255 F4
- 2256 F8
- 3200 D2
- 3201 D3
- 3202 E3
- 3203 E3
- 3204 A5
- 3205 A6
- 3206 A6
- 3207 D5
- 3208 D7
- 3209 E6
- 3210 E7
- 3230 B8
- 3231 A8
- 3232 A8
- 3233 A9
- 3234 B9
- 3235 A9
- 3236 D8
- 3237 C8
- 3238 C8
- 3239 C9
- 3240 D9
- 3241 D10
- 3242 B10
- 3243 D10
- 3244 A3
- 3245 B3
- 3246 G5
- 3247 H8
- 3248 H8
- 3249 A10
- 3250 G2
- 3251 G3
- 3252 F3
- 3253 F3
- 3254 B5
- 3255 B6
- 3256 B6
- 3257 F5
- 3258 F7
- 3259 F6
- 3260 F7
- 3290 G10
- 4200 B3
- 5230 G4
- 6230 B7
- 6231 G8
- 6232 H8
- 7200 A6
- 7201 E6
- 7202 E8
- 7230-A G3
- 7231 A8
- 7232 A8
- 7233 A9
- 7234 C8
- 7235 C8
- 7236 D9
- 7237 B10
- 7250 B6
- 7251 F6
- 7252 F8

AVC BOARD - CIRCUIT DIAGRAM (PART 3)



- 1332 C13
- 1380-1 F13
- 1380-2 G13
- 2300 C2
- 2301 A6
- 2302 A9
- 2303 A8
- 2304 G2
- 2305 E6
- 2306 E9
- 2307 E8
- 2308 F9
- 2309 D10
- 2310 D3
- 2311 D4
- 2312 H3
- 2313 H3
- 2314 F11
- 2315 D9
- 2319 F11
- 2330 F12
- 2340 B10
- 2341 F4
- 2342 B2
- 2343 F2
- 2344 C2
- 2345 F2
- 2346 H13
- 2350 C2
- 2351 D6
- 2352 C8
- 2353 D8
- 2354 G2
- 2355 G6
- 2356 H8
- 2357 G8
- 2358 H9
- 2359 G11
- 2360 D4
- 2361 D4
- 2362 H4
- 2363 H4
- 2364 G12
- 2365 G9
- 2378 C10
- 2380 C11
- 2381 E12
- 2382 E12
- 2384 I7
- 2385 I6
- 2386 G8
- 2387 F8
- 2388 F8
- 2389 F8
- 2390 C8
- 2391 C8
- 2392 C8
- 2393 B8
- 2394 E4
- 2395 E3
- 2396 E3
- 2397 B4
- 2398 B3
- 2399 B3
- 3300 B3
- 3301 C3
- 3302 A7
- 3303 A8
- 3304 A9
- 3305 B10
- 3306 G3
- 3307 E3
- 3308 E8
- 3309 E9
- 3310 E9
- 3311 F9
- 3312 F9
- 3313 D10
- 3314 D11
- 3315 D12
- 3316 D6
- 3317 F12
- 3318 B3
- 3319 F10
- 3320 F11
- 3321 F3
- 3322 E12
- 3342 B1
- 3343 F1
- 3344 C1
- 3345 F1
- 3346 B1
- 3347 F1
- 3348 C1
- 3349 G1
- 3350 C3
- 3351 A3
- 3352 D7
- 3353 C8
- 3354 D9
- 3355 B10
- 3356 G3
- 3357 D3
- 3358 H8
- 3359 G9
- 3360 H9
- 3361 H9
- 3362 H9
- 3363 G10
- 3364 G11
- 3365 H12
- 3367 G12
- 3368 C3
- 3370 F3
- 3382 B11
- 3383 C11
- 3384 E13
- 3385 E12
- 3387 C11
- 3388 E13
- 3389 E13
- 3390 I8
- 3391 I7
- 3392 I6
- 3393 F8
- 3394 F8
- 3395 B9
- 3396 B9
- 3397 G7
- 7300 B10
- 7301 D11
- 7330 A4
- 7331 E4
- 7333 B11
- 7334 D12
- 7335 C12
- 7336-A E9
- 7336-B H9
- 7337 E13
- 7339 H12
- 7350 C10
- 7351 E11

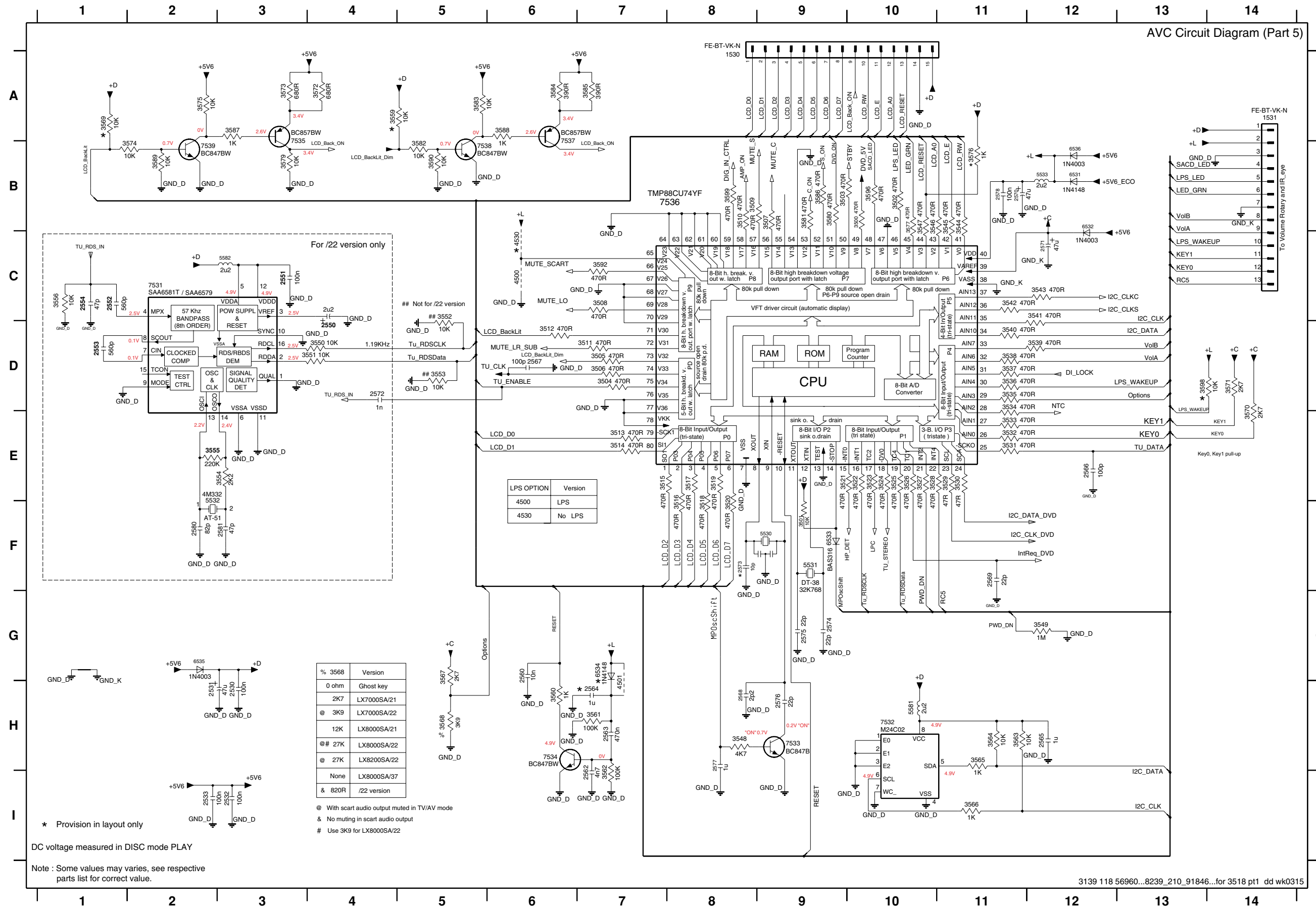
AVC BOARD - CIRCUIT DIAGRAM (PART 4)



- 1400 I1
- 1401 B12
- 1402 C12
- 1403 D12
- 1421 A6
- 1422 B1
- 1423 E1
- 1424 B1
- 1430-A H12
- 1430-B F13
- 1430-C E13
- 1431 A13
- 1434 H7
- 2400 F3
- 2401 F3
- 2402 F6
- 2403 F5
- 2410 G3
- 2411 G3
- 2412 H6
- 2413 G5
- 2420 I3
- 2421 I3
- 2422 I6
- 2423 H5
- 2424 A13
- 2425 B13
- 2426 B12
- 2433 G12
- 2434 G13
- 2435 F10
- 2436 H10
- 2437 H12
- 2440 B2
- 2441 B3
- 2443 B4
- 2444 C3
- 2445 C2
- 2446 D3
- 2447 H12
- 2448 B12
- 2449 C12
- 2450 B13
- 2451 B13
- 2452 C13
- 2453 C13
- 2454 D13
- 2455 D13
- 2456 H11
- 2461 G8
- 2466 D12
- 2470 B9
- 2480 F9
- 2481 F8
- 2482 F13
- 2483 A12
- 2484 A12
- 2486 I9
- 2487 D12
- 2490 B11
- 2491 A12
- 2492 A12
- 3400 F3
- 3401 F2
- 3402 F4
- 3403 F4
- 3404 G4
- 3405 G5
- 3406 F6
- 3410 G2
- 3411 G3
- 3412 G4
- 3413 G4
- 3414 H4
- 3415 H5
- 3416 G6
- 3420 I2
- 3421 I3
- 3422 I4
- 3423 I4
- 3424 I4
- 3425 I5
- 3426 I6
- 3430 H1
- 3431 I2
- 3440 E10
- 3442 F10
- 3443 F11
- 3450 H10
- 3451 H10
- 3452 H11
- 3470 B9
- 3471 B9
- 3472 G8
- 3480 F8
- 3481 A12
- 3482 A12
- 3490 B11
- 3491 B11
- 3492 A10
- 3493 A10
- 3494 A10
- 3495 A10
- 3496 B10
- 3497 B10
- 3498 B10
- 3499 A11
- 4482 E9
- 4483 I10
- 4484 C5
- 4485 I8
- 4486 H8
- 4488 F13
- 5400 F3
- 5401 F4
- 5410 G3
- 5411 G4
- 5420 I3
- 5421 I3
- 5422 I3
- 5423 I3
- 5424 I3
- 5425 I3
- 5426 I3
- 5427 I3
- 5428 I3
- 5429 I3
- 5430 I3
- 5431 I3
- 5432 I3
- 5433 I3
- 5434 I3
- 5435 I3
- 5436 I3
- 5437 I3
- 5438 I3
- 5439 I3
- 5440 I3
- 5441 I3
- 5442 I3
- 5443 I3
- 5444 I3
- 5445 I3
- 5446 I3
- 5447 I3
- 5448 I3
- 5449 I3
- 5450 I3
- 5451 I3
- 5452 I3
- 5453 I3
- 5454 I3
- 5455 I3
- 5456 I3
- 5457 I3
- 5458 I3
- 5459 I3
- 5460 I3
- 5461 I3
- 5462 I3
- 5463 I3
- 5464 I3
- 5465 I3
- 5466 I3
- 5467 I3
- 5468 I3
- 5469 I3
- 5470 I3
- 5471 I3
- 5472 I3
- 5473 I3
- 5474 I3
- 5475 I3
- 5476 I3
- 5477 I3
- 5478 I3
- 5479 I3
- 5480 I3
- 5481 I3
- 5482 I3
- 5483 I3
- 5484 I3
- 5485 I3
- 5486 I3
- 5487 I3
- 5488 I3
- 5489 I3
- 5490 I3
- 5491 I3
- 5492 I3
- 5493 I3
- 5494 I3
- 5495 I3
- 5496 I3
- 5497 I3
- 5498 I3
- 5499 I3
- 5500 I3

AVC BOARD - CIRCUIT DIAGRAM (PART 5)

AVC Circuit Diagram (Part 5)



- 1530 A8
- 1531 A14
- 2530 H3
- 2531 H2
- 2532 I3
- 2533 I2
- 2550 D4
- 2551 C3
- 2552 C1
- 2553 D1
- 2554 C1
- 2560 G6
- 2562 I7
- 2563 H7
- 2564 H7
- 2565 H12
- 2566 E12
- 2567 D6
- 2569 F11
- 2570 B11
- 2571 C12
- 2572 D4
- 2573 F8
- 2574 G9
- 2575 G9
- 2576 H9
- 2577 I8
- 2578 B11
- 2580 F2
- 2581 F3
- 3500 B10
- 3501 F9
- 3502 B10
- 3503 B9
- 3504 D7
- 3505 D7
- 3506 D7
- 3507 B9
- 3508 C7
- 3509 B8
- 3510 B8
- 3511 D7
- 3512 D6
- 3513 E7
- 3514 E7
- 3515 E7
- 3516 F8
- 3517 E8
- 3518 F8
- 3519 E8
- 3520 F8
- 3521 E9
- 3522 E10
- 3523 E10
- 3524 E10
- 3525 E10
- 3526 E10
- 3527 D11
- 3528 E11
- 3529 E11
- 3530 E11
- 3531 E11
- 3532 E11
- 3533 E11
- 3534 D11
- 3535 D11
- 3536 D11
- 3537 D11
- 3538 D11
- 3539 D12
- 3540 D11
- 3541 C12
- 3542 C11
- 3543 C12
- 3544 B11
- 3545 B11
- 3546 B10
- 3547 B10
- 3548 H8
- 3549 G12
- 3550 D4
- 3551 D4
- 3552 C5
- 3553 D5
- 3554 E2
- 3555 E2
- 3556 C1
- 3559 A4
- 3560 H6
- 3561 H7
- 3562 I7
- 3563 H11
- 3564 H11
- 3565 H11
- 3566 I11
- 3567 G5
- 3568 H5
- 3569 A1
- 3570 E14
- 3571 D14
- 3572 A4
- 3573 A3
- 3574 B2
- 3575 A2
- 3576 B11
- 3577 B10
- 3579 B3
- 3580 B9
- 3581 B9
- 3582 B5
- 3583 A5
- 3584 A6
- 3585 A7

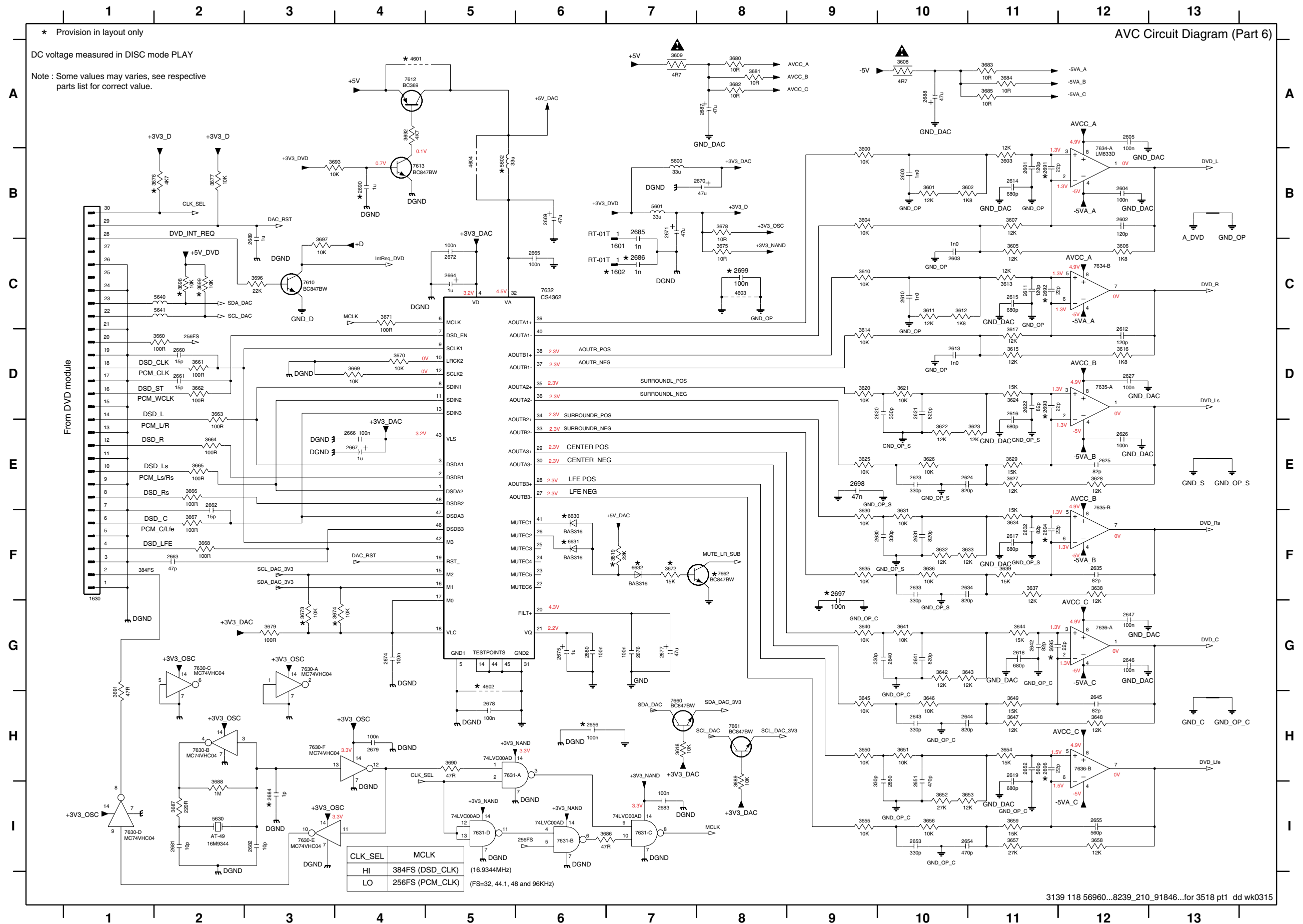
- 3586 B9
- 3587 A3
- 3588 A6
- 3589 B2
- 3590 B5
- 3592 C7
- 3596 B10
- 3598 D13
- 3599 B8
- 4500 C6
- 4501 H7
- 4530 C6
- 5530 F9
- 5531 F9
- 5532 F2
- 5533 B12
- 5581 H10
- 5582 C3
- 6531 B12
- 6532 B12
- 6533 F9
- 6534 G7
- 6535 G2
- 6536 B12
- 7531 C2
- 7532 H10
- 7533 H9
- 7534 H7
- 7535 A3
- 7536 B7
- 7537 A5
- 7538 B5
- 7539 B2

% 3568	Version
0 ohm	Ghost key
2K7	LX7000SA/21
@ 3K9	LX7000SA/22
12K	LX8000SA/21
@# 27K	LX8000SA/22
@ 27K	LX8200SA/22
None	LX8000SA/37
& 820R	/22 version

@ With scart audio output muted in TV/AV mode
 & No muting in scart audio output
 # Use 3K9 for LX8000SA/22

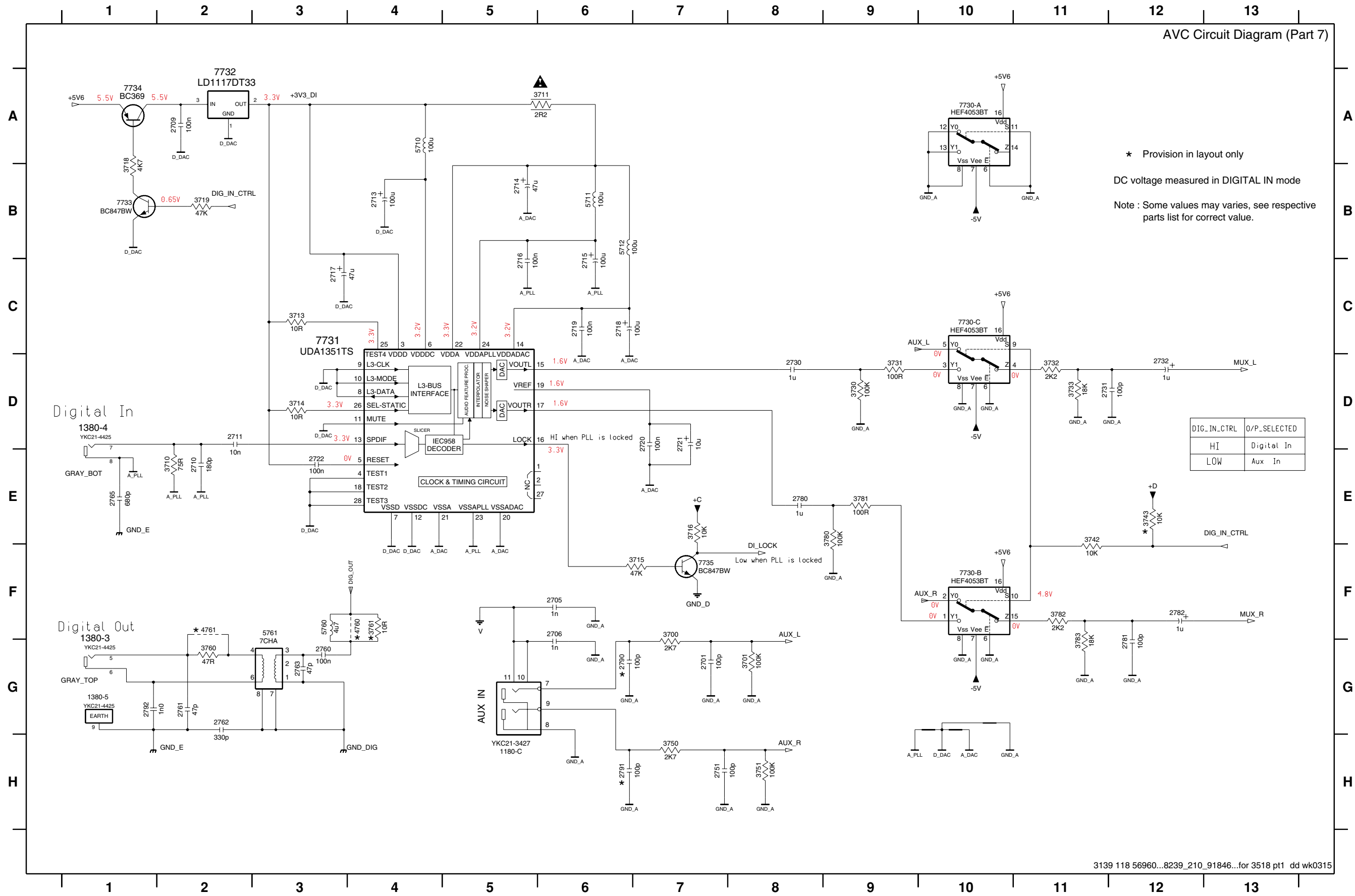
DC voltage measured in DISC mode PLAY
 Note : Some values may varies, see respective parts list for correct value.

AVC BOARD - CIRCUIT DIAGRAM (PART 6)



- 1601 C7
- 1602 C7
- 1630 F1
- 2600 B10
- 2601 B11
- 2602 B12
- 2603 C10
- 2604 B12
- 2605 A12
- 2610 C10
- 2611 C11
- 2612 D12
- 2613 D10
- 2614 B11
- 2615 C11
- 2616 D11
- 2617 F11
- 2618 G11
- 2619 H11
- 2620 D10
- 2621 D14
- 2622 D11
- 2623 E10
- 2624 E10
- 2625 E12
- 2626 E12
- 2627 D12
- 2630 F10
- 2631 F10
- 2632 F11
- 2633 F10
- 2634 F10
- 2635 F12
- 2640 G10
- 2641 G10
- 2642 G10
- 2643 G10
- 2644 G11
- 2645 H9
- 2646 H10
- 2647 H11
- 2648 H12
- 2649 H9
- 2651 H10
- 2652 H10
- 2653 H10
- 2654 H11
- 2655 I9
- 2656 I10
- 2657 I11
- 2658 I12
- 2659 I11
- 2660 D2
- 2661 D2
- 2662 E2
- 2663 F2
- 2664 G2
- 2665 E2
- 2666 E2
- 2667 F2
- 2668 F2
- 2669 D4
- 2670 D4
- 2671 C4
- 2672 F7
- 2673 G3
- 2674 G4
- 2675 C8
- 2676 B2
- 2677 B2
- 2678 B8
- 2679 G3
- 2680 A8
- 2681 A8
- 2682 A8
- 2683 A11
- 2684 A11
- 2685 A11
- 2686 I6
- 2687 I2
- 2688 I2
- 2689 I8
- 2690 H5
- 2691 H1
- 2692 A4
- 2693 B3
- 2694 C3
- 2695 C3
- 2696 C2
- 2697 C2
- 2698 C2
- 2699 C2
- 2700 A4
- 2701 G5
- 2702 C8
- 2703 B5
- 2704 B5
- 2705 B5
- 2706 B5
- 2707 B5
- 2708 B5
- 2709 B5
- 2710 B5
- 2711 B5
- 2712 B5
- 2713 B5
- 2714 B5
- 2715 B5
- 2716 B5
- 2717 B5
- 2718 B5
- 2719 B5
- 2720 B5
- 2721 B5
- 2722 B5
- 2723 B5
- 2724 B5
- 2725 B5
- 2726 B5
- 2727 B5
- 2728 B5
- 2729 B5
- 2730 B5
- 2731 B5
- 2732 B5
- 2733 B5
- 2734 B5
- 2735 B5
- 2736 B5
- 2737 B5
- 2738 B5
- 2739 B5
- 2740 B5
- 2741 B5
- 2742 B5
- 2743 B5
- 2744 B5
- 2745 B5
- 2746 B5
- 2747 B5
- 2748 B5
- 2749 B5
- 2750 B5
- 2751 B5
- 2752 B5
- 2753 B5
- 2754 B5
- 2755 B5
- 2756 B5
- 2757 B5
- 2758 B5
- 2759 B5
- 2760 B5
- 2761 B5
- 2762 B5
- 2763 B5
- 2764 B5
- 2765 B5
- 2766 B5
- 2767 B5
- 2768 B5
- 2769 B5
- 2770 B5
- 2771 B5
- 2772 B5
- 2773 B5
- 2774 B5
- 2775 B5
- 2776 B5
- 2777 B5
- 2778 B5
- 2779 B5
- 2780 B5
- 2781 B5
- 2782 B5
- 2783 B5
- 2784 B5
- 2785 B5
- 2786 B5
- 2787 B5
- 2788 B5
- 2789 B5
- 2790 B5
- 2791 B5
- 2792 B5
- 2793 B5
- 2794 B5
- 2795 B5
- 2796 B5
- 2797 B5
- 2798 B5
- 2799 B5
- 2800 B5
- 2801 B5
- 2802 B5
- 2803 B5
- 2804 B5
- 2805 B5
- 2806 B5
- 2807 B5
- 2808 B5
- 2809 B5
- 2810 B5
- 2811 B5
- 2812 B5
- 2813 B5
- 2814 B5
- 2815 B5
- 2816 B5
- 2817 B5
- 2818 B5
- 2819 B5
- 2820 B5
- 2821 B5
- 2822 B5
- 2823 B5
- 2824 B5
- 2825 B5
- 2826 B5
- 2827 B5
- 2828 B5
- 2829 B5
- 2830 B5
- 2831 B5
- 2832 B5
- 2833 B5
- 2834 B5
- 2835 B5
- 2836 B5
- 2837 B5
- 2838 B5
- 2839 B5
- 2840 B5
- 2841 B5
- 2842 B5
- 2843 B5
- 2844 B5
- 2845 B5
- 2846 B5
- 2847 B5
- 2848 B5
- 2849 B5
- 2850 B5
- 2851 B5
- 2852 B5
- 2853 B5
- 2854 B5
- 2855 B5
- 2856 B5
- 2857 B5
- 2858 B5
- 2859 B5
- 2860 B5
- 2861 B5
- 2862 B5
- 2863 B5
- 2864 B5
- 2865 B5
- 2866 B5
- 2867 B5
- 2868 B5
- 2869 B5
- 2870 B5
- 2871 B5
- 2872 B5
- 2873 B5
- 2874 B5
- 2875 B5
- 2876 B5
- 2877 B5
- 2878 B5
- 2879 B5
- 2880 B5
- 2881 B5
- 2882 B5
- 2883 B5
- 2884 B5
- 2885 B5
- 2886 B5
- 2887 B5
- 2888 B5
- 2889 B5
- 2890 B5
- 2891 B5
- 2892 B5
- 2893 B5
- 2894 B5
- 2895 B5
- 2896 B5
- 2897 B5
- 2898 B5
- 2899 B5
- 2900 B5
- 2901 B5
- 2902 B5
- 2903 B5
- 2904 B5
- 2905 B5
- 2906 B5
- 2907 B5
- 2908 B5
- 2909 B5
- 2910 B5
- 2911 B5
- 2912 B5
- 2913 B5
- 2914 B5
- 2915 B5
- 2916 B5
- 2917 B5
- 2918 B5
- 2919 B5
- 2920 B5
- 2921 B5
- 2922 B5
- 2923 B5
- 2924 B5
- 2925 B5
- 2926 B5
- 2927 B5
- 2928 B5
- 2929 B5
- 2930 B5
- 2931 B5
- 2932 B5
- 2933 B5
- 2934 B5
- 2935 B5
- 2936 B5
- 2937 B5
- 2938 B5
- 2939 B5
- 2940 B5
- 2941 B5
- 2942 B5
- 2943 B5
- 2944 B5
- 2945 B5
- 2946 B5
- 2947 B5
- 2948 B5
- 2949 B5
- 2950 B5
- 2951 B5
- 2952 B5
- 2953 B5
- 2954 B5
- 2955 B5
- 2956 B5
- 2957 B5
- 2958 B5
- 2959 B5
- 2960 B5
- 2961 B5
- 2962 B5
- 2963 B5
- 2964 B5
- 2965 B5
- 2966 B5
- 2967 B5
- 2968 B5
- 2969 B5
- 2970 B5
- 2971 B5
- 2972 B5
- 2973 B5
- 2974 B5
- 2975 B5
- 2976 B5
- 2977 B5
- 2978 B5
- 2979 B5
- 2980 B5
- 2981 B5
- 2982 B5
- 2983 B5
- 2984 B5
- 2985 B5
- 2986 B5
- 2987 B5
- 2988 B5
- 2989 B5
- 2990 B5
- 2991 B5
- 2992 B5
- 2993 B5
- 2994 B5
- 2995 B5
- 2996 B5
- 2997 B5
- 2998 B5
- 2999 B5
- 3000 B5

AVC BOARD - CIRCUIT DIAGRAM (PART 7)



* Provision in layout only
 DC voltage measured in DIGITAL IN mode
 Note : Some values may varies, see respective parts list for correct value.

DIG_IN_CTRL	O/P_SELECTED
HI	Digital In
LOW	Aux In

- 1180-C H5
- 1380-3 F1
- 1380-4 D1
- 1380-5 G1
- 2701 G7
- 2705 F6
- 2706 F6
- 2709 A2
- 2710 E2
- 2711 D2
- 2713 B4
- 2714 B5
- 2715 C6
- 2716 C5
- 2717 C3
- 2718 C6
- 2719 C6
- 2720 D7
- 2721 D7
- 2722 E3
- 2723 E3
- 2730 D8
- 2731 D11
- 2732 D12
- 2751 H7
- 2760 G3
- 2761 G2
- 2762 G2
- 2763 G3
- 2765 E1
- 2780 E8
- 2781 G12
- 2782 F12
- 2790 G6
- 2791 H6
- 2792 G1
- 3700 F7
- 3701 G8
- 3710 E2
- 3711 A6
- 3713 C3
- 3714 D3
- 3715 F7
- 3716 E7
- 3718 B1
- 3719 B2
- 3730 D9
- 3731 D9
- 3732 D11
- 3733 D11
- 3742 E11
- 3743 E12
- 3750 H7
- 3751 H8
- 3760 G2
- 3761 F4
- 3780 E9
- 3781 E9
- 3782 F11
- 3783 G11
- 4760 F4
- 4761 F2
- 5710 A4
- 5711 B6
- 5712 B6
- 5760 F3
- 5761 F3
- 7730-A A10
- 7730-B F10
- 7730-C C10
- 7731 C4
- 7732 A2
- 7733 B1
- 7734 A1
- 7735 F7

ELECTRICAL PARTS LIST - AVC BOARD**MISCELLANEOUS**

1130	4822 265 11515	Flex Connector 8P	2138	2020 552 94427	100pF 5% 50V
1180	4822 267 31449	Cinch Socket 6P - Aux in & TV in & Line out	2139	2238 586 59812	100nF +80/-20% 50V
1230	4822 267 10733	Flex Connector 4P	2140	4822 124 40769	4,7uF 20% 100V
1231	4822 267 10733	Flex Connector 4P	2141	2238 586 59812	100nF +80/-20% 50V
1232	4822 267 51255	Flex Connector 14P	2143	4822 126 14583	470nF 10% 16V
1332	4822 267 10953	Flex Connector 7P	2150	3198 016 31020	1nF 25V
1380	2422 026 05341	Cinch Socket 4P - Digital in & Digital out & Center out & Woofers Line out	2151	4822 124 21913	1uF 20% 63V
1421	2422 025 17433	Flex Connector 30P	2152	2238 586 59812	100nF +80/-20% 50V
1422	2422 025 14526	Flex Connector 16P	2153	2020 552 94427	100pF 5% 50V
1423	4822 267 10732	Flex Connector 12P	2154	4822 124 21913	1uF 20% 63V
1430	2422 033 00442	Socket Video out 2P - CVBS & S-Video	2155	3198 016 31020	1nF 25V
1431	2422 025 12352	Socket Video out 21P - Scart out	2158	4822 124 40248	10uF 20% 63V
1434	2422 026 05342	Cinch Socket 3P - GN/BU/RD (YUV out)	2159	3198 016 31020	1nF 25V
1530	4822 265 10981	Flex Connector 15P	2160	5322 126 11583	10nF 10% 50V
1531	4822 267 10738	Flex Connector 13P	2161	3198 016 31020	1nF 25V
1630	2422 025 17433	Flex Connector 30P	2162	5322 126 11579	3,3nF 10% 63V

CAPACITORS

2100	3198 016 31020	1nF 25V	2163	4822 126 14583	470nF 10% 16V
2101	4822 124 21913	1uF 20% 63V	2164	4822 126 14238	2,2nF 50V
2102	2238 586 59812	100nF +80/-20% 50V	2165	4822 126 13879	220nF +80/-20% 16V
2103	2020 552 94427	100pF 5% 50V	2166	2020 552 96327	330nF 10% 16V
2104	4822 124 21913	1uF 20% 63V	2167	2020 552 96684	470nF 10% 25V
2107	3198 016 31020	1nF 25V	2168	3198 016 31020	1nF 25V
2108	4822 124 40248	10uF 20% 63V	2169	2020 552 94427	100pF 5% 50V
2109	3198 016 31020	1nF 25V	2170	2020 552 94427	100pF 5% 50V
2110	5322 126 11583	10nF 10% 50V	2171	2020 552 94427	100pF 5% 50V
2111	3198 016 31020	1nF 25V	2172	2020 552 94427	100pF 5% 50V
2112	5322 126 11579	3,3nF 10% 63V	2173	3198 016 31020	1nF 25V
2113	4822 126 14583	470nF 10% 16V	2174	3198 016 31020	1nF 25V
2114	4822 126 14238	2,2nF 50V	2175	3198 016 31020	1nF 25V
2115	4822 126 13879	220nF +80/-20% 16V	2176	3198 016 31020	1nF 25V
2116	2020 552 96327	330nF 10% 16V	2177	4822 124 40769	4,7uF 20% 100V
2117	2020 552 96684	470nF 10% 25V	2200	3198 016 31020	1nF 25V
2118	3198 016 31020	1nF 25V	2201	4822 124 81151	22uF 50V
2119	2020 552 94427	100pF 5% 50V	2202	2020 552 94427	100pF 5% 50V
2120	2020 552 94427	100pF 5% 50V	2203	4822 126 13881	470pF 5% 50V
2121	2020 552 94427	100pF 5% 50V	2204	5322 122 33861	120pF 10% 50V
2122	2020 552 94427	100pF 5% 50V	2205	4822 124 40433	47uF 20% 25V
2130	4822 126 14238	2,2nF 50V	2206	2020 552 94427	100pF 5% 50V
2131	4822 124 40196	220uF 20% 16V	2230	4822 124 40248	10uF 20% 63V
2132	4822 124 81151	22uF 50V	2231	4822 124 81151	22uF 50V
2133	2238 916 15641	22nF 10% 25V	2232	2020 552 94427	100pF 5% 50V
2134	4822 124 40433	47uF 20% 25V	2233	4822 124 41584	100uF 20% 10V
2136	3198 016 31020	1nF 25V	2234	4822 124 40433	47uF 20% 25V
2137	2020 552 94427	100pF 5% 50V	2235	2238 916 15641	22nF 10% 25V

ELECTRICAL PARTS LIST - AVC BOARD

2256	2020 552 94427	100pF 5% 50V	2389	4822 126 14583	470nF 10% 16V
2300	2238 586 59812	100nF +80/-20% 50V	2390	2238 586 59812	100nF +80/-20% 50V
2301	4822 126 13193	4,7nF 10% 63V	2391	2020 552 94427	100pF 5% 50V
2302	4822 126 14583	470nF 10% 16V	2392	2020 552 94427	100pF 5% 50V
2303	2020 552 94427	100pF 5% 50V	2393	4822 126 14583	470nF 10% 16V
2304	2020 552 96671	1uF 10% 25V	2394	4822 124 40433	47uF 20% 25V
2305	4822 126 13193	4,7nF 10% 63V	2395	2238 916 15641	22nF 10% 25V
2306	4822 126 13881	470pF 5% 50V	2396	4822 124 40433	47uF 20% 25V
2307	2238 916 15641	22nF 10% 25V	2397	4822 124 40433	47uF 20% 25V
2308	2222 867 15339	33pF 5% 50V	2398	2238 916 15641	22nF 10% 25V
2309	4822 124 21913	1uF 20% 63V	2399	4822 124 40433	47uF 20% 25V
2310	2020 552 94427	100pF 5% 50V	2400	4822 122 33753	150pF 5% 50V
2311	2020 552 94427	100pF 5% 50V	2401	2020 552 94427	100pF 5% 50V
2312	2020 552 94427	100pF 5% 50V	2402	2020 552 94427	100pF 5% 50V
2313	2020 552 94427	100pF 5% 50V	2403	2238 586 59812	100nF +80/-20% 50V
2314	4822 126 14508	180pF 5% 50V	2410	4822 122 33753	150pF 5% 50V
2315	4822 122 33753	150pF 5% 50V	2411	2020 552 94427	100pF 5% 50V
2319	4822 124 40248	10uF 20% 63V	2412	2020 552 94427	100pF 5% 50V
2330	3198 016 31020	1nF 25V	2413	2238 586 59812	100nF +80/-20% 50V
2340	3198 016 31020	1nF 25V	2420	4822 122 33753	150pF 5% 50V
2341	3198 016 31020	1nF 25V	2421	2020 552 94427	100pF 5% 50V
2342	4822 126 13879	220nF +80/-20% 16V	2422	2020 552 94427	100pF 5% 50V
2343	4822 126 14583	470nF 10% 16V	2423	2238 586 59812	100nF +80/-20% 50V
2344	4822 126 13879	220nF +80/-20% 16V	2435	4822 122 33761	22pF 5% 50V
2345	4822 124 21913	1uF 20% 63V	2436	4822 122 33761	22pF 5% 50V
2346	2238 586 59812	100nF +80/-20% 50V	2437	4822 126 13883	220pF 5% 50V
2350	2238 586 59812	100nF +80/-20% 50V	2440	4822 124 41584	100uF 20% 10V
2351	4822 126 13193	4,7nF 10% 63V	2441	2238 586 59812	100nF +80/-20% 50V
2352	4822 126 14583	470nF 10% 16V	2443	4822 124 40433	47uF 20% 25V
2353	2020 552 94427	100pF 5% 50V	2444	2238 586 59812	100nF +80/-20% 50V
2354	2020 552 96671	1uF 10% 25V	2445	2238 586 59812	100nF +80/-20% 50V
2355	2020 552 94427	100pF 5% 50V	2446	4822 124 40184	1000uF 20% 10V
2356	4822 126 13881	470pF 5% 50V	2447	4822 126 13883	220pF 5% 50V
2357	4822 126 13879	220nF +80/-20% 16V	2448	2238 586 59812	100nF +80/-20% 50V
2358	5322 126 11583	10nF 10% 50V	2449	2238 586 59812	100nF +80/-20% 50V
2359	4822 124 21913	1uF 20% 63V	2450	4822 126 13956	68pF 5% 63V
2360	2020 552 94427	100pF 5% 50V	2451	4822 126 13956	68pF 5% 63V
2361	2020 552 94427	100pF 5% 50V	2452	4822 126 13956	68pF 5% 63V
2362	2020 552 94427	100pF 5% 50V	2453	4822 126 13956	68pF 5% 63V
2363	2020 552 94427	100pF 5% 50V	2454	4822 126 13956	68pF 5% 63V
2364	4822 126 14238	2,2nF 50V	2456	4822 126 13883	220pF 5% 50V
2365	2238 916 15641	22nF 10% 25V	2461	4822 124 40196	220uF 20% 16V
2379	4822 126 14472	1uF 10% 10V	2466	4822 126 13883	220pF 5% 50V
2380	2020 552 96305	4,7uF +80/-20% 10V	2470	3198 017 42230	22nF 50V
2381	2020 552 96305	4,7uF +80/-20% 10V	2480	4822 124 40196	220uF 20% 16V
2382	4822 126 14472	1uF 10% 10V	2481	2238 586 59812	100nF +80/-20% 50V
2384	4822 124 81044	470uF 20% 6,3V	2482	2238 916 15641	22nF 10% 25V
2385	4822 124 81044	470uF 20% 6,3V	2483	4822 126 13883	220pF 5% 50V
2386	2238 586 59812	100nF +80/-20% 50V	2484	4822 126 13883	220pF 5% 50V
2387	2020 552 94427	100pF 5% 50V	2486	3198 017 34730	47nF 16V
2388	2020 552 94427	100pF 5% 50V	2487	2238 586 59812	100nF +80/-20% 50V

ELECTRICAL PARTS LIST - AVC BOARD**CAPACITORS**

2490	3198 017 42230	22nF 50V	2627	2238 586 59812	100nF +80/-20% 50V
2530	2238 586 59812	100nF +80/-20% 50V	2630	4822 126 14241	330pF 50V
2531	4822 124 40433	47uF 20% 25V	2631	3198 016 38210	820pF 25V
2532	2238 586 59812	100nF +80/-20% 50V	2632	4822 126 14226	82pF 5% 50V
2533	2238 586 59812	100nF +80/-20% 50V	2633	4822 126 14241	330pF 50V
2550	4822 124 22652	2,2uF 20% 50V	2634	3198 016 38210	820pF 25V
2551	2238 586 59812	100nF +80/-20% 50V	2635	4822 126 14226	82pF 5% 50V
2552	4822 126 14249	560pF 10% 50V	2640	4822 126 14241	330pF 50V
2553	4822 126 14249	560pF 10% 50V	2641	3198 016 38210	820pF 25V
2554	4822 126 11785	47pF 5% 50V	2642	4822 126 14226	82pF 5% 50V
2560	5322 126 11583	10nF 10% 50V	2643	4822 126 14241	330pF 50V
2562	4822 126 13193	4,7nF 10% 63V	2644	3198 016 38210	820pF 25V
2563	4822 126 14583	470nF 10% 16V	2645	4822 126 14226	82pF 5% 50V
2565	3198 017 41050	1uF 10V	2646	2238 586 59812	100nF +80/-20% 50V
2566	2020 552 94427	100pF 5% 50V	2647	2238 586 59812	100nF +80/-20% 50V
2567	2020 552 94427	100pF 5% 50V	2650	4822 126 14241	330pF 50V
2568	4822 126 14223	2,2pF 50V	2651	4822 126 13881	470pF 5% 50V
2569	4822 122 33761	22pF 5% 50V	2652	4822 126 14249	560pF 10% 50V
2570	4822 124 40433	47uF 20% 25V	2653	4822 126 14241	330pF 50V
2571	4822 124 40433	47uF 20% 25V	2654	4822 126 13881	470pF 5% 50V
2572	3198 016 31020	1nF 25V	2655	4822 126 14249	560pF 10% 50V
2574	4822 122 33761	22pF 5% 50V	2660	4822 122 33752	15pF 5% 50V
2575	4822 122 33761	22pF 5% 50V	2661	4822 122 33752	15pF 5% 50V
2576	4822 122 33761	22pF 5% 50V	2662	4822 122 33752	15pF 5% 50V
2577	3198 017 41050	1uF 10V	2663	4822 126 11785	47pF 5% 50V
2578	2238 586 59812	100nF +80/-20% 50V	2664	4822 124 21913	1uF 20% 63V
2580	4822 126 14226	82pF 5% 50V	2665	2238 586 59812	100nF +80/-20% 50V
2581	4822 126 11785	47pF 5% 50V	2666	2238 586 59812	100nF +80/-20% 50V
2600	3198 016 31020	1nF 25V	2667	4822 124 21913	1uF 20% 63V
2601	5322 122 33861	120pF 10% 50V	2669	4822 124 40433	47uF 20% 25V
2602	5322 122 33861	120pF 10% 50V	2670	4822 124 40433	47uF 20% 25V
2603	3198 016 31020	1nF 25V	2671	4822 124 40433	47uF 20% 25V
2604	2238 586 59812	100nF +80/-20% 50V	2672	2238 586 59812	100nF +80/-20% 50V
2605	2238 586 59812	100nF +80/-20% 50V	2674	2238 586 59812	100nF +80/-20% 50V
2610	3198 016 31020	1nF 25V	2675	4822 124 21913	1uF 20% 63V
2611	5322 122 33861	120pF 10% 50V	2676	2238 586 59812	100nF +80/-20% 50V
2612	5322 122 33861	120pF 10% 50V	2677	4822 124 40433	47uF 20% 25V
2613	3198 016 31020	1nF 25V	2678	2238 586 59812	100nF +80/-20% 50V
2614	3198 016 36810	680pF 25V	2679	2238 586 59812	100nF +80/-20% 50V
2615	3198 016 36810	680pF 25V	2680	2238 586 59812	100nF +80/-20% 50V
2616	3198 016 36810	680pF 25V	2681	4822 122 33741	10pF 10% 50V
2617	3198 016 36810	680pF 25V	2682	4822 122 33741	10pF 10% 50V
2618	3198 016 36810	680pF 25V	2683	2238 586 59812	100nF +80/-20% 50V
2619	3198 016 36810	680pF 25V	2685	3198 016 31020	1nF 25V
2620	4822 126 14241	330pF 50V	2687	4822 124 40433	47uF 20% 25V
2621	3198 016 38210	820pF 25V	2688	4822 124 40433	47uF 20% 25V
2622	4822 126 14226	82pF 5% 50V	2689	4822 126 14472	1uF 10% 10V
2623	4822 126 14241	330pF 50V	2698	3198 017 34730	47nF 16V
2624	3198 016 38210	820pF 25V	2701	2020 552 94427	100pF 5% 50V
2625	4822 126 14226	82pF 5% 50V	2705	3198 016 31020	1nF 25V
2626	2238 586 59812	100nF +80/-20% 50V	2706	3198 016 31020	1nF 25V

ELECTRICAL PARTS LIST - AVC BOARD

2709	2238 586 59812	100nF +80/-20% 50V	3132	4822 051 30102	1k 5% 0,062W
2710	4822 126 14508	180pF 5% 50V	3133	4822 117 12925	47k 1% 0,063W
2711	5322 126 11583	10nF 10% 50V	3134	4822 051 30103	10k 5% 0,062W
2713	4822 124 41584	100uF 20% 10V	3135	4822 051 30153	15k 5% 0,062W
2714	4822 124 40433	47uF 20% 25V	3136	4822 117 12925	47k 1% 0,063W
2715	4822 124 41584	100uF 20% 10V	3140	4822 051 30101	100R 5% 0,062W
2716	2238 586 59812	100nF +80/-20% 50V	3141	4822 051 30101	100R 5% 0,062W
2717	4822 124 40433	47uF 20% 25V	3142	4822 051 30101	100R 5% 0,062W
2718	4822 124 41584	100uF 20% 10V	3143	4822 051 30101	100R 5% 0,062W
2719	2238 586 59812	100nF +80/-20% 50V	3150	4822 051 30222	2k2 5% 0,062W
2720	2238 586 59812	100nF +80/-20% 50V	3151	4822 051 30332	3k3 5% 0,062W
2721	4822 124 40248	10uF 20% 63V	3152	4822 051 30102	1k 5% 0,062W
2722	2238 586 59812	100nF +80/-20% 50V	3153	4822 117 12891	220k 1%
2730	4822 126 14472	1uF 10% 10V	3154	4822 051 30472	4k7 5% 0,062W
2731	2020 552 94427	100pF 5% 50V	3155	4822 051 30272	2k7 5% 0,062W
2732	4822 124 21913	1uF 20% 63V	3156	4822 051 30273	27k 5% 0,062W
2751	2020 552 94427	100pF 5% 50V	3160	4822 051 30471	470R 5% 0,062W
2760	2238 586 59812	100nF +80/-20% 50V	3161	4822 051 30102	1k 5% 0,062W
2761	4822 126 11785	47pF 5% 50V	3162	4822 051 30222	2k2 5% 0,062W
2762	4822 126 14241	330pF 50V	3163	4822 051 30103	10k 5% 0,062W
2763	4822 126 11785	47pF 5% 50V	3164	4822 051 30183	18k 5% 0,062W
2765	3198 016 36810	680pF 25V	3165	4822 051 30562	5k6 5% 0,063W
2780	4822 126 14472	1uF 10% 10V	3166	4822 117 12925	47k 1% 0,063W
2781	2020 552 94427	100pF 5% 50V	3167	4822 117 12902	8k2 1% 0,063W
2782	4822 124 21913	1uF 20% 63V	3168	4822 051 30562	5k6 5% 0,063W
2792	3198 016 31020	1nF 25V	3169	4822 051 30221	220R 5% 0,062W
RESISTORS			3170	4822 051 30102	1k 5% 0,062W
3100	4822 051 30222	2k2 5% 0,062W	3171	4822 051 30222	2k2 5% 0,062W
3101	4822 051 30332	3k3 5% 0,062W	3172	4822 117 12925	47k 1% 0,063W
3102	4822 051 30102	1k 5% 0,062W	3173	4822 051 30153	15k 5% 0,062W
3104	4822 051 30472	4k7 5% 0,062W	3174	4822 117 12925	47k 1% 0,063W
3105	4822 051 30272	2k7 5% 0,062W	3175	4822 051 30103	10k 5% 0,062W
3106	4822 051 30273	27k 5% 0,062W	3176	4822 051 30102	1k 5% 0,062W
3110	4822 051 30471	470R 5% 0,062W	3177	4822 051 30222	2k2 5% 0,062W
3111	4822 051 30102	1k 5% 0,062W	3180	4822 051 30682	6k8 5% 0,062W
3112	4822 051 30222	2k2 5% 0,062W	3181	4822 117 12925	47k 1% 0,063W
3113	4822 051 30103	10k 5% 0,062W	3182	4822 117 12925	47k 1% 0,063W
3114	4822 051 30183	18k 5% 0,062W	3200	4822 051 30221	220R 5% 0,062W
3115	4822 051 30562	5k6 5% 0,063W	3201	4822 051 30123	12k 5% 0,062W
3116	4822 117 12925	47k 1% 0,063W	3202	4822 051 30682	6k8 5% 0,062W
3117	4822 117 12902	8k2 1% 0,063W	3203	4822 051 30273	27k 5% 0,062W
3118	4822 051 30562	5k6 5% 0,063W	3204	4822 051 30479	47R 5% 0,062W
3119	4822 051 30221	220R 5% 0,062W	3205	4822 051 30339	33R 5% 0,062W
3120	4822 051 30103	10k 5% 0,062W	3206	4822 051 30102	1k 5% 0,062W
3121	4822 051 30103	10k 5% 0,062W	3207	4822 051 30102	1k 5% 0,062W
3122	4822 051 30103	10k 5% 0,062W	3208	4822 051 30102	1k 5% 0,062W
3123	4822 051 30103	10k 5% 0,062W	3209	4822 051 30102	1k 5% 0,062W
3124	4822 117 12891	220k 1%	3210	4822 051 30102	1k 5% 0,062W
3130	4822 051 30151	150R 5% 0,062W	3230	4822 051 30472	4k7 5% 0,062W
3131	4822 051 30102	1k 5% 0,062W	3231	4822 051 30472	4k7 5% 0,062W
			3232	4822 051 30562	5k6 5% 0,063W

ELECTRICAL PARTS LIST - AVC BOARD

RESISTORS

3233	4822 051 30102	1k 5% 0,062W	3342	4822 051 30472	4k7 5% 0,062W
3234	4822 051 30103	10k 5% 0,062W	3343	4822 051 30472	4k7 5% 0,062W
3235	4822 051 30103	10k 5% 0,062W	3344	4822 051 30472	4k7 5% 0,062W
3236	4822 051 30472	4k7 5% 0,062W	3345	4822 051 30472	4k7 5% 0,062W
3237	4822 051 30472	4k7 5% 0,062W	3346	4822 117 13632	100k 1% 0,62W
3238	4822 051 30562	5k6 5% 0,063W	3347	4822 051 30103	10k 5% 0,062W
3239	4822 051 30102	1k 5% 0,062W	3348	4822 117 13632	100k 1% 0,62W
3240	4822 117 12891	220k 1%	3350	4822 051 30102	1k 5% 0,062W
3241	4822 117 12925	47k 1% 0,063W	3351	4822 051 30102	1k 5% 0,062W
3242	4822 117 12925	47k 1% 0,063W	3352	4822 051 30102	1k 5% 0,062W
3243	4822 051 30562	5k6 5% 0,063W	3353	4822 051 30222	2k2 5% 0,062W
3244	4822 051 30472	4k7 5% 0,062W	3354	4822 117 12891	220k 1%
3245	4822 051 30472	4k7 5% 0,062W	3355	4822 051 30102	1k 5% 0,062W
3246	4822 052 10109 Δ	10R 5% 0,33W	3356	4822 051 30683	68k 5% 0,062W
3247	4822 117 13632	100k 1% 0,62W	3357	4822 051 30683	68k 5% 0,062W
3248	4822 117 13632	100k 1% 0,62W	3358	4822 051 30102	1k 5% 0,062W
3250	4822 051 30221	220R 5% 0,062W	3359	4822 051 30333	33k 5% 0,062W
3251	4822 051 30123	12k 5% 0,062W	3360	4822 051 30103	10k 5% 0,062W
3252	4822 051 30682	6k8 5% 0,062W	3361	4822 051 30273	27k 5% 0,062W
3253	4822 051 30273	27k 5% 0,062W	3362	4822 117 12925	47k 1% 0,063W
3254	4822 051 30479	47R 5% 0,062W	3363	4822 051 30472	4k7 5% 0,062W
3255	4822 051 30339	33R 5% 0,062W	3364	4822 051 30223	22k 5% 0,062W
3256	4822 051 30102	1k 5% 0,062W	3365	4822 051 30102	1k 5% 0,062W
3257	4822 051 30102	1k 5% 0,062W	3367	4822 051 30103	10k 5% 0,062W
3258	4822 051 30102	1k 5% 0,062W	3368	4822 051 30102	1k 5% 0,062W
3259	4822 051 30102	1k 5% 0,062W	3370	4822 051 30102	1k 5% 0,062W
3260	4822 051 30102	1k 5% 0,062W	3383	4822 051 30474	470k 5% 0,062W
3290	4822 051 30684	680k 5% 0,062W	3385	4822 051 30474	470k 5% 0,062W
3300	4822 051 30102	1k 5% 0,062W	3386	4822 051 30474	470k 5% 0,062W
3301	4822 051 30102	1k 5% 0,062W	3387	4822 117 12925	47k 1% 0,063W
3302	4822 051 30102	1k 5% 0,062W	3388	4822 051 30474	470k 5% 0,062W
3303	4822 051 30222	2k2 5% 0,062W	3389	4822 117 12925	47k 1% 0,063W
3304	4822 117 12891	220k 1%	3390	4822 051 30101	100R 5% 0,062W
3305	4822 051 30102	1k 5% 0,062W	3391	4822 051 30472	4k7 5% 0,062W
3306	4822 051 30683	68k 5% 0,062W	3392	4822 051 30472	4k7 5% 0,062W
3307	4822 051 30683	68k 5% 0,062W	3393	4822 051 30102	1k 5% 0,062W
3308	4822 051 30102	1k 5% 0,062W	3394	4822 051 30102	1k 5% 0,062W
3309	4822 117 13632	100k 1% 0,62W	3395	4822 051 30102	1k 5% 0,062W
3310	4822 051 30103	10k 5% 0,062W	3396	4822 051 30102	1k 5% 0,062W
3311	4822 117 12925	47k 1% 0,063W	3397	4822 051 30102	1k 5% 0,062W
3312	4822 117 12925	47k 1% 0,063W	3401	4822 051 30151	150R 5% 0,062W
3313	4822 051 30123	12k 5% 0,062W	3402	4822 051 30151	150R 5% 0,062W
3314	4822 051 30223	22k 5% 0,062W	3405	4822 051 30008	0R Jumper 0603
3315	4822 051 30102	1k 5% 0,062W	3406	4822 051 30759	75R 5% 0,062W
3316	4822 051 30102	1k 5% 0,062W	3411	4822 051 30151	150R 5% 0,062W
3317	4822 051 30102	1k 5% 0,062W	3412	4822 051 30151	150R 5% 0,062W
3318	4822 051 30102	1k 5% 0,062W	3415	4822 051 30008	0R Jumper 0603
3319	4822 051 30472	4k7 5% 0,062W	3416	4822 051 30759	75R 5% 0,062W
3320	4822 117 12925	47k 1% 0,063W	3421	4822 051 30151	150R 5% 0,062W
3321	4822 051 30102	1k 5% 0,062W	3422	4822 051 30151	150R 5% 0,062W
3322	4822 051 30102	1k 5% 0,062W	3425	4822 051 30008	0R Jumper 0603

ELECTRICAL PARTS LIST - AVC BOARD

3426	4822 051 30759	75R 5% 0,062W	3529	4822 051 30479	47R 5% 0,062W
3440	4822 051 30101	100R 5% 0,062W	3530	4822 051 30479	47R 5% 0,062W
3442	4822 051 30222	2k2 5% 0,062W	3531	4822 051 30471	470R 5% 0,062W
3443	4822 051 30759	75R 5% 0,062W	3532	4822 051 30471	470R 5% 0,062W
3450	4822 051 30101	100R 5% 0,062W	3533	4822 051 30471	470R 5% 0,062W
3451	4822 051 30222	2k2 5% 0,062W	3534	4822 051 30471	470R 5% 0,062W
3452	4822 051 30759	75R 5% 0,062W	3535	4822 051 30471	470R 5% 0,062W
3470	4822 051 30339	33R 5% 0,062W	3536	4822 051 30471	470R 5% 0,062W
3471	4822 051 30479	47R 5% 0,062W	3537	4822 051 30471	470R 5% 0,062W
3472	4822 052 10478 Δ	4R7 5% 0,33W	3538	4822 051 30471	470R 5% 0,062W
3480	4822 052 10478 Δ	4R7 5% 0,33W	3539	4822 051 30471	470R 5% 0,062W
3481	4822 051 30471	470R 5% 0,062W	3540	4822 051 30471	470R 5% 0,062W
3482	4822 051 30471	470R 5% 0,062W	3541	4822 051 30471	470R 5% 0,062W
3490	4822 051 30102	1k 5% 0,062W	3542	4822 051 30471	470R 5% 0,062W
3491	4822 051 30221	220R 5% 0,062W	3543	4822 051 30471	470R 5% 0,062W
3492	4822 051 30103	10k 5% 0,062W	3544	4822 051 30471	470R 5% 0,062W
3493	4822 051 30183	18k 5% 0,062W	3545	4822 051 30471	470R 5% 0,062W
3494	4822 051 30103	10k 5% 0,062W	3546	4822 051 30471	470R 5% 0,062W
3495	4822 051 30102	1k 5% 0,062W	3547	4822 051 30471	470R 5% 0,062W
3496	4822 051 30103	10k 5% 0,062W	3548	4822 051 30472	4k7 5% 0,062W
3497	4822 051 30183	18k 5% 0,062W	3549	4822 051 30105	1M 5% 0,062W
3498	4822 051 30103	10k 5% 0,062W	3550	4822 051 30103	10k 5% 0,062W
3500	4822 051 30471	470R 5% 0,062W	3551	4822 051 30103	10k 5% 0,062W
3501	4822 051 30103	10k 5% 0,062W	3554	4822 051 30222	2k2 5% 0,062W
3502	4822 051 30471	470R 5% 0,062W	3555	4822 117 12891	220k 1%
3503	4822 051 30471	470R 5% 0,062W	3556	4822 051 30103	10k 5% 0,062W
3504	4822 051 30471	470R 5% 0,062W	3560	4822 051 30102	1k 5% 0,062W
3505	4822 051 30471	470R 5% 0,062W	3561	4822 117 13632	100k 1% 0,62W
3506	4822 051 30471	470R 5% 0,062W	3562	4822 117 13632	100k 1% 0,62W
3507	4822 051 30471	470R 5% 0,062W	3563	4822 051 30103	10k 5% 0,062W
3508	4822 051 30471	470R 5% 0,062W	3564	4822 051 30103	10k 5% 0,062W
3509	4822 051 30471	470R 5% 0,062W	3565	4822 051 30102	1k 5% 0,062W
3510	4822 051 30471	470R 5% 0,062W	3566	4822 051 30102	1k 5% 0,062W
3511	4822 051 30471	470R 5% 0,062W	3567	4822 051 30272	2k7 5% 0,062W
3512	4822 051 30471	470R 5% 0,062W	3568	4822 051 30273	27k 5% 0,062W
3513	4822 051 30471	470R 5% 0,062W	3570	4822 051 30272	2k7 5% 0,062W
3514	4822 051 30471	470R 5% 0,062W	3571	4822 051 30272	2k7 5% 0,062W
3515	4822 051 30471	470R 5% 0,062W	3572	4822 051 30681	680R 5% 0,062W
3516	4822 051 30471	470R 5% 0,062W	3573	4822 051 30681	680R 5% 0,062W
3517	4822 051 30471	470R 5% 0,062W	3574	4822 051 30103	10k 5% 0,062W
3518	4822 051 30471	470R 5% 0,062W	3575	4822 051 30103	10k 5% 0,062W
3519	4822 051 30471	470R 5% 0,062W	3577	4822 051 30471	470R 5% 0,062W
3520	4822 051 30471	470R 5% 0,062W	3579	4822 051 30103	10k 5% 0,062W
3521	4822 051 30471	470R 5% 0,062W	3580	4822 051 30471	470R 5% 0,062W
3522	4822 051 30471	470R 5% 0,062W	3581	4822 051 30471	470R 5% 0,062W
3523	4822 051 30471	470R 5% 0,062W	3582	4822 051 30103	10k 5% 0,062W
3524	4822 051 30471	470R 5% 0,062W	3583	4822 051 30103	10k 5% 0,062W
3525	4822 051 30471	470R 5% 0,062W	3584	4822 051 30391	390R 5% 0,062W
3526	4822 051 30471	470R 5% 0,062W	3585	4822 051 30391	390R 5% 0,062W
3527	4822 051 30471	470R 5% 0,062W	3586	4822 051 30471	470R 5% 0,062W
3528	4822 051 30471	470R 5% 0,062W	3587	4822 051 30102	1k 5% 0,062W

ELECTRICAL PARTS LIST - AVC BOARD**RESISTORS**

3588	4822 051 30102	1k 5% 0,062W	3646	4822 051 30103	10k 5% 0,062W
3589	4822 051 30103	10k 5% 0,062W	3647	4822 051 30123	12k 5% 0,062W
3590	4822 051 30103	10k 5% 0,062W	3648	4822 051 30123	12k 5% 0,062W
3592	4822 051 30471	470R 5% 0,062W	3649	4822 051 30153	15k 5% 0,062W
3596	4822 051 30471	470R 5% 0,062W	3650	4822 051 30103	10k 5% 0,062W
3599	4822 051 30471	470R 5% 0,062W	3651	4822 051 30103	10k 5% 0,062W
3600	4822 051 30103	10k 5% 0,062W	3652	4822 051 30273	27k 5% 0,062W
3601	4822 051 30123	12k 5% 0,062W	3653	4822 051 30123	12k 5% 0,062W
3602	4822 117 12903	1k8 1% 0,063W	3654	4822 051 30153	15k 5% 0,062W
3603	4822 051 30123	12k 5% 0,062W	3655	4822 051 30103	10k 5% 0,062W
3604	4822 051 30103	10k 5% 0,062W	3656	4822 051 30103	10k 5% 0,062W
3605	4822 051 30123	12k 5% 0,062W	3657	4822 051 30273	27k 5% 0,062W
3606	4822 117 12903	1k8 1% 0,063W	3658	4822 051 30123	12k 5% 0,062W
3607	4822 051 30123	12k 5% 0,062W	3659	4822 051 30153	15k 5% 0,062W
3608	4822 052 10478 Δ	4R7 5% 0,33W	3660	4822 051 30101	100R 5% 0,062W
3609	4822 052 10478 Δ	4R7 5% 0,33W	3661	4822 051 30101	100R 5% 0,062W
3610	4822 051 30103	10k 5% 0,062W	3662	4822 051 30101	100R 5% 0,062W
3611	4822 051 30123	12k 5% 0,062W	3663	4822 051 30101	100R 5% 0,062W
3612	4822 117 12903	1k8 1% 0,063W	3664	4822 051 30101	100R 5% 0,062W
3613	4822 051 30123	12k 5% 0,062W	3665	4822 051 30101	100R 5% 0,062W
3614	4822 051 30103	10k 5% 0,062W	3666	4822 051 30101	100R 5% 0,062W
3615	4822 051 30123	12k 5% 0,062W	3667	4822 051 30101	100R 5% 0,062W
3616	4822 117 12903	1k8 1% 0,063W	3668	4822 051 30101	100R 5% 0,062W
3617	4822 051 30123	12k 5% 0,062W	3669	4822 051 30103	10k 5% 0,062W
3618	4822 051 30103	10k 5% 0,062W	3670	4822 051 30103	10k 5% 0,062W
3620	4822 051 30103	10k 5% 0,062W	3671	4822 051 30101	100R 5% 0,062W
3621	4822 051 30103	10k 5% 0,062W	3675	4822 051 30109	10R 5% 0,062W
3622	4822 051 30123	12k 5% 0,062W	3677	4822 051 30103	10k 5% 0,062W
3623	4822 051 30123	12k 5% 0,062W	3678	4822 051 30109	10R 5% 0,062W
3624	4822 051 30153	15k 5% 0,062W	3679	4822 051 30101	100R 5% 0,062W
3625	4822 051 30103	10k 5% 0,062W	3680	4822 051 30109	10R 5% 0,062W
3626	4822 051 30103	10k 5% 0,062W	3681	4822 051 30109	10R 5% 0,062W
3627	4822 051 30123	12k 5% 0,062W	3682	4822 051 30109	10R 5% 0,062W
3628	4822 051 30123	12k 5% 0,062W	3683	4822 051 30109	10R 5% 0,062W
3629	4822 051 30153	15k 5% 0,062W	3684	4822 051 30109	10R 5% 0,062W
3630	4822 051 30103	10k 5% 0,062W	3685	4822 051 30109	10R 5% 0,062W
3631	4822 051 30103	10k 5% 0,062W	3686	4822 051 30479	47R 5% 0,062W
3632	4822 051 30123	12k 5% 0,062W	3687	4822 051 30221	220R 5% 0,062W
3633	4822 051 30123	12k 5% 0,062W	3688	4822 051 30105	1M 5% 0,062W
3634	4822 051 30153	15k 5% 0,062W	3689	4822 051 30103	10k 5% 0,062W
3635	4822 051 30103	10k 5% 0,062W	3690	4822 051 30479	47R 5% 0,062W
3636	4822 051 30103	10k 5% 0,062W	3691	4822 051 30479	47R 5% 0,062W
3637	4822 051 30123	12k 5% 0,062W	3692	4822 051 30472	4k7 5% 0,062W
3638	4822 051 30123	12k 5% 0,062W	3693	4822 051 30103	10k 5% 0,062W
3639	4822 051 30153	15k 5% 0,062W	3696	4822 051 30223	22k 5% 0,062W
3640	4822 051 30103	10k 5% 0,062W	3697	4822 051 30103	10k 5% 0,062W
3641	4822 051 30103	10k 5% 0,062W	3700	4822 051 30272	2k7 5% 0,062W
3642	4822 051 30123	12k 5% 0,062W	3701	4822 117 13632	100k 1% 0,62W
3643	4822 051 30123	12k 5% 0,062W	3710	4822 051 30759	75R 5% 0,062W
3644	4822 051 30153	15k 5% 0,062W	3711	4822 052 10228 Δ	2R2 5% 0,33W
3645	4822 051 30103	10k 5% 0,062W	3713	4822 051 30109	10R 5% 0,062W

ELECTRICAL PARTS LIST - AVC BOARD

3714	4822 051 30109	10R 5% 0,062W
3715	4822 117 12925	47k 1% 0,063W
3716	4822 051 30103	10k 5% 0,062W
3718	4822 051 30472	4k7 5% 0,062W
3719	4822 117 12925	47k 1% 0,063W
3730	4822 117 13632	100k 1% 0,62W
3731	4822 051 30101	100R 5% 0,062W
3732	4822 051 30222	2k2 5% 0,062W
3733	4822 051 30183	18k 5% 0,062W
3742	4822 051 30103	10k 5% 0,062W
3750	4822 051 30272	2k7 5% 0,062W
3751	4822 117 13632	100k 1% 0,62W
3760	4822 051 30479	47R 5% 0,062W
3780	4822 117 13632	100k 1% 0,62W
3781	4822 051 30101	100R 5% 0,062W
3782	4822 051 30222	2k2 5% 0,062W
3783	4822 051 30183	18k 5% 0,062W
4102	4822 051 30008	0R Jumper 0603
4103	4822 051 30008	0R Jumper 0603
4200	4822 051 30008	0R Jumper 0603
4485	4822 051 30008	0R Jumper 0603
4500	4822 051 30008	0R Jumper 0603
4501	4822 051 30008	0R Jumper 0603
4603	4822 051 30008	0R Jumper 0603
4604	4822 051 30008	0R Jumper 0603

COILS & FILTERS

5230	4822 157 62552	Coil 2,2uH 5%
5400	4822 157 11866	Coil 1,8uH 10%
5401	4822 157 71304	Coil 1uH 10%
5410	4822 157 11866	Coil 1,8uH 10%
5411	4822 157 71304	Coil 1uH 10%
5420	4822 157 11866	Coil 1,8uH 10%
5421	4822 157 71304	Coil 1uH 10%
5430	4822 157 71206	FXD IND 0805 100MHz 600R
5431	4822 157 71206	FXD IND 0805 100MHz 600R
5445	4822 526 10704	FXD IND BEAD 100MHz 50R
5482	4822 157 10586	Coil 2,2uH 10%
5530	5322 242 73686	RES CER 12MHz
5531	2422 543 01069	RES XTL 32,768kHz
5532	4822 242 11033	RES XTL 4,332MHz
5533	4822 157 62552	Coil 2,2uH 5%
5581	4822 157 62552	Coil 2,2uH 5%
5582	4822 157 62552	Coil 2,2uH 5%
5600	3198 018 63390	FXD IND SM 1008 33U PM5
5601	3198 018 63390	FXD IND SM 1008 33U PM5
5630	2422 543 01146	RES XTL 16,9344MHz
5640	4822 157 71206	FXD IND 0805 100MHz 600R
5641	4822 157 71206	FXD IND 0805 100MHz 600R
5710	4822 157 10532	Coil 100uH 5%
5711	4822 157 10532	Coil 100uH 5%

5712	4822 157 10532	Coil 100uH 5%
5760	4822 157 10977	Coil 4,7uH 10%
5761	4822 157 70601	IND VAR 7MM 7CHA 100U

DIODES

6131	4822 130 61219	BZX79-B10
6230	4822 130 11397	BAS316
6231	4822 130 11397	BAS316
6232	4822 130 11397	BAS316
6531	4822 130 30621	1N4148
6532	4822 130 31878	1N4003G
6533	4822 130 11397	BAS316
6535	4822 130 31878	1N4003G
6536	4822 130 31878	1N4003G

TRANSISTORS & INTEGRATED CIRCUITS

7100	3198 010 42310	BC847BW
7110	3198 010 42310	BC847BW
7130	9322 150 74668	IC SM TDA7468D
7131	4822 130 40959	BC547B
7132	3198 010 42320	BC857BW
7133	3198 010 42310	BC847BW
7135	3198 010 42320	BC857BW
7136	3198 010 42310	BC847BW
7150	3198 010 42310	BC847BW
7160	3198 010 42310	BC847BW
7200	4822 130 42804	BC817-25
7201	4822 130 42804	BC817-25
7202	4822 130 42804	BC817-25
7230	4822 209 31378	IC SM NJM4556AM
7231	4822 130 60373	BC857B
7232	5322 130 60159	BC847B
7233	5322 130 60159	BC847B
7234	4822 130 60373	BC857B
7235	5322 130 60159	BC847B
7236	5322 130 60159	BC847B
7237	3198 010 42310	BC847BW
7250	4822 130 42804	BC817-25
7251	4822 130 42804	BC817-25
7252	4822 130 42804	BC817-25
7300	5322 130 60159	BC847B
7301	5322 130 60159	BC847B
7330	9322 150 74668	IC SM TDA7468D
7331	9322 150 74668	IC SM TDA7468D
7333	4822 130 60373	BC857B
7334	4822 130 60373	BC857B
7335	3198 010 42310	BC847BW
7336	4822 209 31378	IC SM NJM4556AM
7337	3198 010 42310	BC847BW
7339	5322 130 60159	BC847B
7350	5322 130 60159	BC847B

ELECTRICAL PARTS LIST - AVC BOARD

TRANSISTORS & INTEGRATED CIRCUITS

7351	5322 130 60159	BC847B
7400	9322 167 49685	IC SM AD8061ART
7410	9322 167 49685	IC SM AD8061ART
7420	9322 167 49685	IC SM AD8061ART
7421	5322 130 60159	BC847B
7422	5322 130 60159	BC847B
7423	3198 010 42310	BC847BW
7424	3198 010 42310	BC847BW
7440	4822 209 17398	IC SM LD1117DT33
7442	9322 167 69668	IC SM LD1117ADT18
7531	9352 686 05118	IC SM SAA6581T
7532	9322 145 26668	IC SM M24C02-WMN6
7533	5322 130 60159	BC847B
7534	3198 010 42310	BC847BW
7535	3198 010 42320	BC857BW
7536	3139 110 53571	TMP88CU74YF-'LX7000S53571'
7537	3198 010 42320	BC857BW
7538	3198 010 42310	BC847BW
7539	3198 010 42310	BC847BW
7610	3198 010 42310	BC847BW
7612	5322 130 44593	BC369
7613	3198 010 42310	BC847BW
7630	9322 181 11668	IC SM MC74VHC04DT
7631	9352 499 60118	IC SM 74LVC00AD
7632	9322 177 92671	IC SM CS4362-KQ
7634	4822 209 30095	IC SM LM833D
7635	4822 209 30095	IC SM LM833D
7636	4822 209 30095	IC SM LM833D
7660	3198 010 42310	BC847BW
7661	3198 010 42310	BC847BW
7730	5322 209 14481	IC SM HEF4053BT
7731	9352 655 87118	IC SM UDA1351TS/N1
7732	4822 209 17398	IC SM LD1117DT33
7733	3198 010 42310	BC847BW
7734	5322 130 44593	BC369
7735	3198 010 42310	BC847BW

Note : Only the parts mentioned in this list are normal service spare parts.

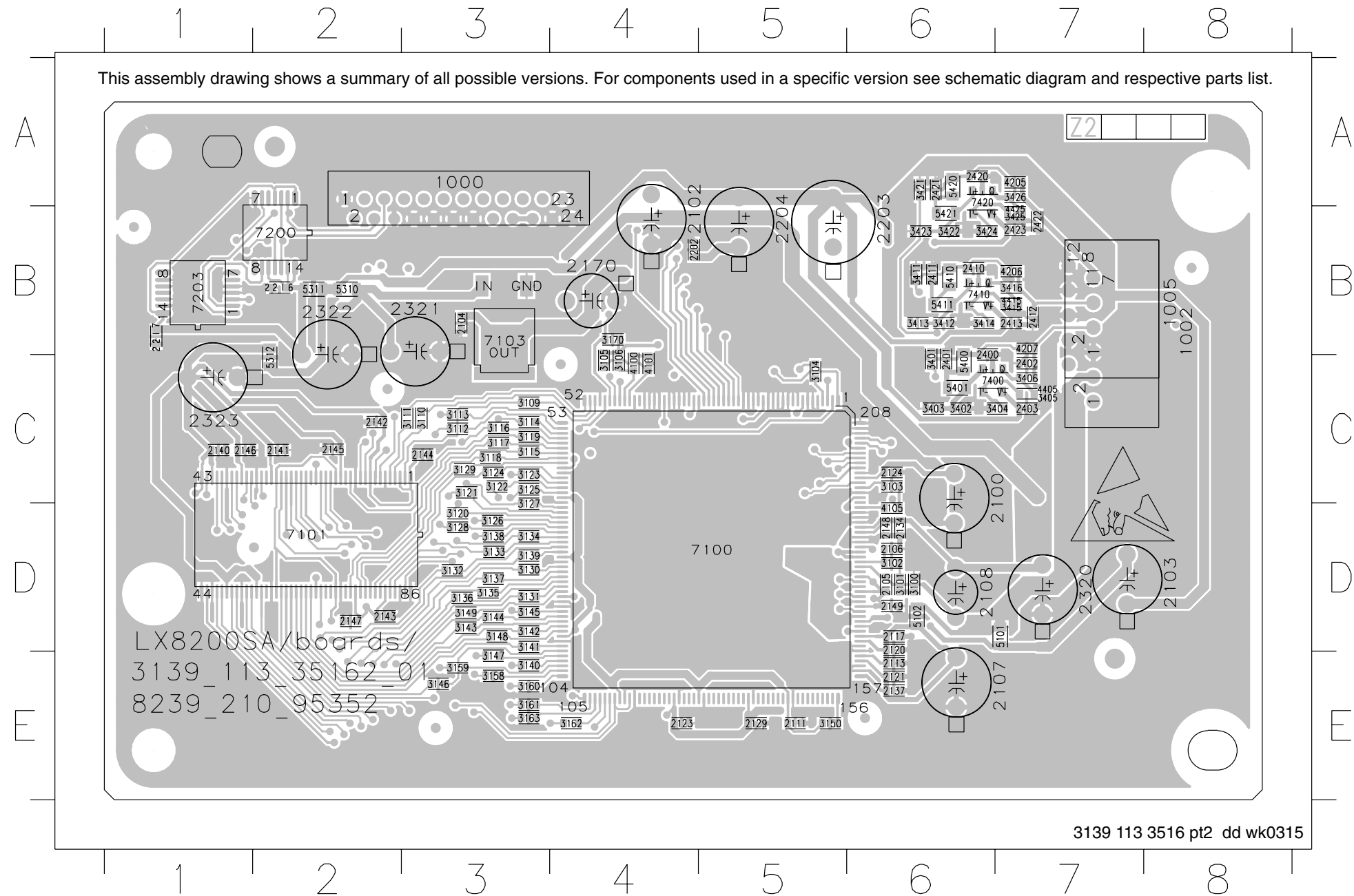
P-SCAN BOARD

TABLE OF CONTENTS

Top View Layout	11-2
Bottom View Layout	11-3
Circuit Diagram (Part 1)	11-4
Circuit Diagram (Part 2)	11-5
Electrical parts list	11-6

P-SCAN BOARD - TOP VIEW LAYOUT

1000	A3	2129	E5	2217	B1	3101	D6	3121	C3	3139	D3	3170	B4	3426	A7	5411	B6
1002	B7	2134	D6	2320	D7	3102	D6	3122	C3	3140	E3	3401	C6	4100	C4	5420	A6
1005	B7	2137	E6	2321	B3	3103	C6	3123	C3	3141	D3	3402	C6	4101	C4	5421	B6
2100	C7	2140	C1	2322	B2	3104	C5	3124	C3	3142	D3	3403	C6	4105	D6	7100	D5
2102	B4	2141	C2	2323	B1	3105	C4	3125	C3	3143	D3	3404	C7	4205	A7	7101	D2
2103	D8	2142	C2	2400	B6	3106	C4	3126	D3	3144	D3	3405	C7	4206	B7	7103	B3
2104	B3	2143	D2	2401	C6	3109	C3	3127	D3	3145	D3	3406	C7	4207	B7	7200	B2
2105	D6	2144	C3	2402	C7	3110	C3	3128	D3	3146	E3	3411	B6	4405	C7	7203	B1
2106	D6	2145	C2	2403	C7	3111	C3	3129	C3	3147	E3	3412	B6	4415	B7	7400	C6
2107	E7	2146	C1	2410	B6	3112	C3	3130	D3	3148	D3	3413	B6	4425	B7	7410	B6
2108	D6	2147	D2	2411	B6	3113	C3	3131	D3	3149	D3	3414	B6	5101	D7	7420	A6
2111	E5	2148	D6	2412	B7	3114	C3	3132	D3	3150	E5	3415	B7	5102	D6		
2113	E6	2149	D6	2413	B7	3115	C3	3133	D3	3158	E3	3416	B7	5310	B2		
2117	D6	2170	B4	2420	A6	3116	C3	3134	D3	3159	E3	3421	A6	5311	B2		
2120	D6	2202	B4	2421	A6	3117	C3	3135	D3	3160	E3	3422	B6	5312	C2		
2121	E6	2203	B6	2422	B7	3118	C3	3136	D3	3161	E3	3423	B6	5400	C6		
2123	E4	2204	B5	2423	B7	3119	C3	3137	D3	3162	E4	3424	B6	5401	C6		
2124	C6	2216	B2	3100	D6	3120	D3	3138	D3	3163	E3	3425	B7	5410	B6		



ELECTRICAL PARTS LIST - P-SCAN BOARD**MISCELLANEOUS**

1000	2422 025 17716	Flex Connector 24P
1002	4822 267 51453	Flex Connector 12P

CAPACITORS

2100	4822 124 81286	47uF 20% 16V
2101	2238 586 59812	100nF +80/-20% 50V
2102	4822 124 81286	47uF 20% 16V
2103	4822 124 81286	47uF 20% 16V
2104	3198 017 41050	1uF 10V
2105	2238 586 59812	100nF +80/-20% 50V
2106	2238 586 59812	100nF +80/-20% 50V
2107	4822 124 81286	47uF 20% 16V
2108	4822 124 11947	10uF 20% 16V
2109	2238 586 59812	100nF +80/-20% 50V
2110	2238 586 59812	100nF +80/-20% 50V
2111	2238 586 59812	100nF +80/-20% 50V
2112	2238 586 59812	100nF +80/-20% 50V
2113	2238 586 59812	100nF +80/-20% 50V
2114	2238 586 59812	100nF +80/-20% 50V
2115	2238 586 59812	100nF +80/-20% 50V
2116	2238 586 59812	100nF +80/-20% 50V
2117	2238 586 59812	100nF +80/-20% 50V
2118	2238 586 59812	100nF +80/-20% 50V
2119	2238 586 59812	100nF +80/-20% 50V
2120	2238 586 59812	100nF +80/-20% 50V
2121	2238 586 59812	100nF +80/-20% 50V
2122	2238 586 59812	100nF +80/-20% 50V
2123	2238 586 59812	100nF +80/-20% 50V
2124	2238 586 59812	100nF +80/-20% 50V
2125	2238 586 59812	100nF +80/-20% 50V
2126	2238 586 59812	100nF +80/-20% 50V
2127	2238 586 59812	100nF +80/-20% 50V
2128	2238 586 59812	100nF +80/-20% 50V
2129	2238 586 59812	100nF +80/-20% 50V
2130	4822 126 13879	220nF +80/-20% 16V
2131	4822 126 13879	220nF +80/-20% 16V
2132	4822 126 13879	220nF +80/-20% 16V
2133	4822 126 13879	220nF +80/-20% 16V
2134	2238 586 59812	100nF +80/-20% 50V
2135	2238 586 59812	100nF +80/-20% 50V
2136	2238 586 59812	100nF +80/-20% 50V
2137	2238 586 59812	100nF +80/-20% 50V
2138	2238 586 59812	100nF +80/-20% 50V
2139	2238 586 59812	100nF +80/-20% 50V
2140	4822 126 13879	220nF +80/-20% 16V
2141	4822 126 13879	220nF +80/-20% 16V
2142	4822 126 13879	220nF +80/-20% 16V
2143	4822 126 13879	220nF +80/-20% 16V
2144	4822 126 13879	220nF +80/-20% 16V
2145	4822 126 13879	220nF +80/-20% 16V
2146	4822 126 13879	220nF +80/-20% 16V
2147	4822 126 13879	220nF +80/-20% 16V

2148	2238 586 59812	100nF +80/-20% 50V
2149	2238 586 59812	100nF +80/-20% 50V
2151	2238 586 59812	100nF +80/-20% 50V
2152	2238 586 59812	100nF +80/-20% 50V
2170	4822 124 12032	4,7uF 20% 50V
2202	2238 586 59812	100nF +80/-20% 50V
2216	2238 586 59812	100nF +80/-20% 50V
2217	2238 586 59812	100nF +80/-20% 50V
2320	4822 124 81286	47uF 20% 16V
2321	4822 124 81286	47uF 20% 16V
2322	4822 124 81286	47uF 20% 16V
2323	4822 124 81286	47uF 20% 16V

RESISTORS

3100	4822 051 30109	10R 5% 0,062W
3101	4822 051 30151	150R 5% 0,062W
3102	2322 702 60279	RST SM 0603 RC21 27R PM5
3103	4822 117 12139	22R 5% 0,062W
3104	4822 117 12139	22R 5% 0,062W
3107	4822 051 30101	100R 5% 0,062W
3108	4822 051 30101	100R 5% 0,062W
3109	4822 117 12139	22R 5% 0,062W
3110	4822 117 12139	22R 5% 0,062W
3111	4822 117 12139	22R 5% 0,062W
3112	4822 117 12139	22R 5% 0,062W
3113	4822 117 12139	22R 5% 0,062W
3114	4822 117 12139	22R 5% 0,062W
3115	4822 117 12139	22R 5% 0,062W
3116	4822 117 12139	22R 5% 0,062W
3117	4822 117 12139	22R 5% 0,062W
3118	4822 117 12139	22R 5% 0,062W
3119	4822 117 12139	22R 5% 0,062W
3120	4822 117 12139	22R 5% 0,062W
3121	4822 117 12139	22R 5% 0,062W
3122	4822 117 12139	22R 5% 0,062W
3123	4822 117 12139	22R 5% 0,062W
3124	4822 117 12139	22R 5% 0,062W
3125	4822 117 12139	22R 5% 0,062W
3126	4822 117 12139	22R 5% 0,062W
3127	4822 117 12139	22R 5% 0,062W
3128	4822 117 12139	22R 5% 0,062W
3129	4822 117 12139	22R 5% 0,062W
3130	4822 117 12139	22R 5% 0,062W
3131	4822 117 12139	22R 5% 0,062W
3132	4822 117 12139	22R 5% 0,062W
3133	4822 117 12139	22R 5% 0,062W
3134	4822 117 12139	22R 5% 0,062W
3135	4822 117 12139	22R 5% 0,062W
3136	4822 117 12139	22R 5% 0,062W
3137	4822 117 12139	22R 5% 0,062W
3138	4822 117 12139	22R 5% 0,062W
3139	4822 117 12139	22R 5% 0,062W

ELECTRICAL PARTS LIST - P-SCAN BOARD

3140	4822 117 12139	22R 5% 0,062W
3141	4822 117 12139	22R 5% 0,062W
3142	4822 117 12139	22R 5% 0,062W
3143	4822 117 12139	22R 5% 0,062W
3144	4822 117 12139	22R 5% 0,062W
3145	4822 117 12139	22R 5% 0,062W
3146	4822 117 12139	22R 5% 0,062W
3147	4822 117 12139	22R 5% 0,062W
3148	4822 117 12139	22R 5% 0,062W
3149	4822 117 12139	22R 5% 0,062W
3150	4822 051 30472	4k7 5% 0,062W
3158	4822 117 12139	22R 5% 0,062W
3159	4822 117 12139	22R 5% 0,062W
3160	4822 117 12139	22R 5% 0,062W
3161	4822 117 12139	22R 5% 0,062W
3162	4822 117 12139	22R 5% 0,062W
3163	4822 117 12139	22R 5% 0,062W
3170	4822 051 30472	4k7 5% 0,062W
4100	4822 051 30008	0R Jumper 0603
4101	4822 051 30008	0R Jumper 0603
4103	4822 051 30008	0R Jumper 0603
4105	4822 051 30008	0R Jumper 0603
4110	4822 051 20008	0R Jumper 0805
4201	4822 051 30008	0R Jumper 0603
4202	4822 051 30008	0R Jumper 0603
4205	4822 051 30008	0R Jumper 0603
4206	4822 051 30008	0R Jumper 0603
4207	4822 051 30008	0R Jumper 0603

COILS & FILTERS

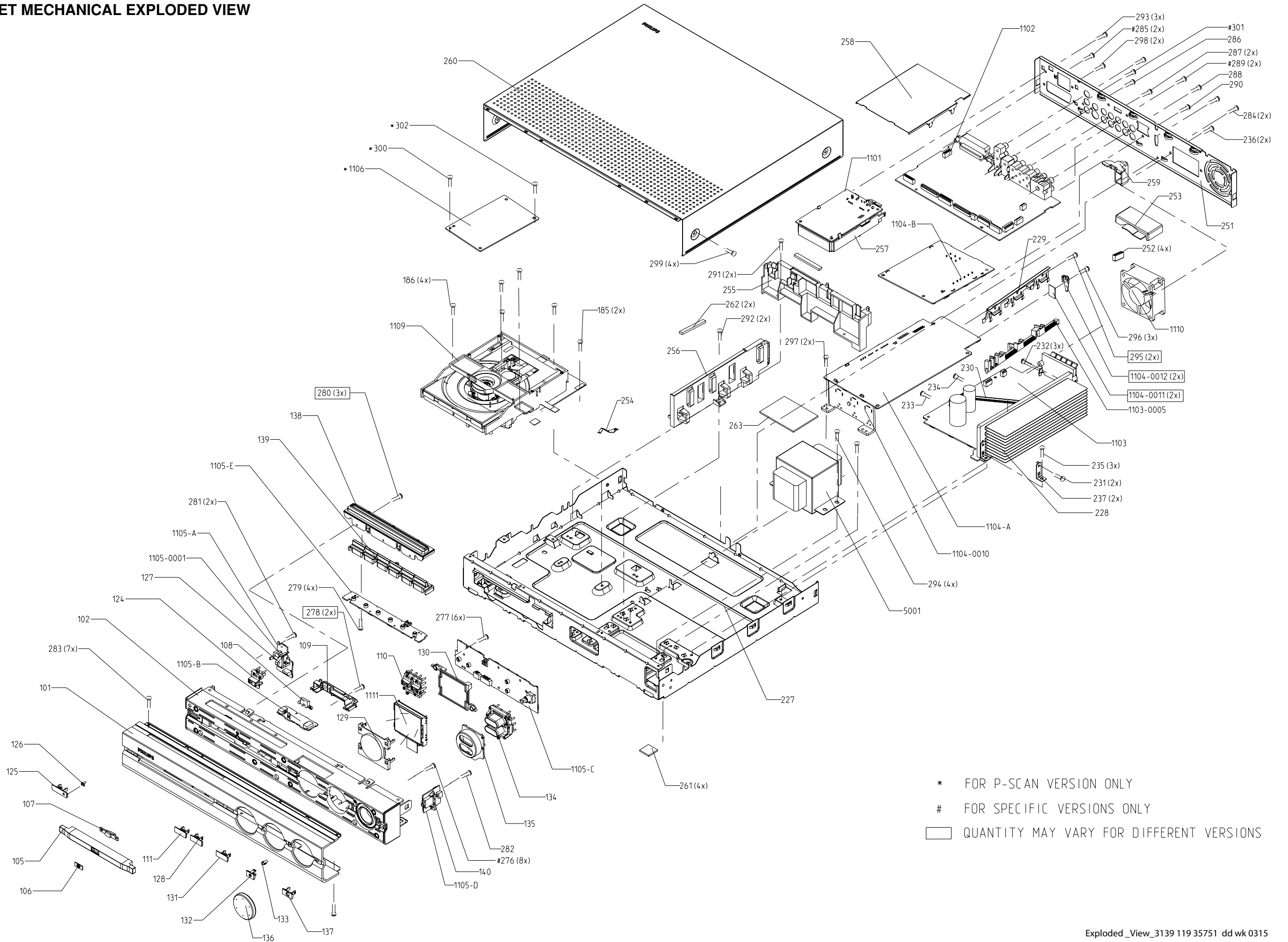
5101	4822 157 71593	Coil 10uH 10%
5102	4822 157 71593	Coil 10uH 10%
5302	4822 157 71593	Coil 10uH 10%
5309	4822 157 71593	Coil 10uH 10%
5310	4822 157 71593	Coil 10uH 10%
5311	4822 157 71593	Coil 10uH 10%
5312	4822 157 71593	Coil 10uH 10%

TRANSISTORS & INTEGRATED CIRCUITS

7100	9322 189 93671	IC SM FLI2301
7101	9322 166 71668	IC SM MT48LC2M32B2TG-6
7200	9352 092 60118	IC SM 74LVT74DB
7203	9352 092 90118	IC SM 74LVT86DB

Note : Only the parts mentioned in this list are normal service spare parts.

SET MECHANICAL EXPLODED VIEW



* FOR P-SCAN VERSION ONLY
 # FOR SPECIFIC VERSIONS ONLY
 □ QUANTITY MAY VARY FOR DIFFERENT VERSIONS

MECHANICAL & ACCESSORIES PARTS LIST - MAIN UNIT**SCREW LISTS - MAIN UNIT**

0101	3139 257 51051	Plate Front	1604	4822 320 12703	FFC Foil 07P/140/07P BD	185	M3 x 6
0102	3139 118 17330	Cabinet Front	1605	3139 111 01530	FFC Foil 14P/120/14P AD Fold	186	M3 x 6
0105	3139 118 18630	Cover Tray DVD	1606	3139 110 36071	FFC Foil 30P/100/30P BD 1MMP	231	D3 x 8
0106	3139 118 18340	Cutsheet Logo SACD	1607	3139 111 01510	FFC Foil 16P/260/16P AD Fold	232	D3 x 12
0107	3139 114 76300	Lightguide Tray SACD	1608	3139 110 36071	FFC Foil 30P/100/30P BD 1MMP	233	D3 x 12
0110	3139 114 75640	Button Open/Close & Source	1609	3139 110 34990	FFC Foil 12P/120/12P AD	234	D3 x 12
0111	3139 118 18580	Cap Button Open/Close	1610	3139 111 01540	FFC Foil 13P/340/13P AD Fold	235	M3 x 8
0124	3139 114 75600	Button Power	1612	3139 110 34840	FFC Foil 08P/100/08P AD	236	D3 x 10
0125	3139 118 18570	Cap Button Power	1613	3139 111 01550	FFC Foil 4P/480/4P BD Fold	277	D3 x 10
0126	3139 114 75730	Lightguide Standby	1615	3139 111 01580	FFC Foil 7P/120/7P AD Fold	278	D2 x 8
0128	3139 118 18590	Cap Button Source	1616	3139 111 01500	FFC Foil 6P/100/6P AD Fold	279	D2 x 8
0129	3139 114 75740	Window Display	5001	3139 118 32751	△ Mains Transformer	280	D2 x 8
0130	3139 114 76790	Bracket LCD				281	D3 x 10
0131	3139 118 18600	Cover Orn				282	D3 x 10
0132	3139 118 18610	Cover Orn IR				283	M3 x 8
<u>Satellite Speaker Boxes Breakdown (CS8000SA/17S)</u>							
0134	3139 118 17350	Button Sound Control		9965 000 15989	Center Speaker Box CS8000SA	284	M3 x 6
0135	3139 118 17360	Cover Sound Control		9965 000 16044	Front L Speaker Box CS8000SA	285	D3 x 10
0136	3139 118 17400	Knob Volume Rotary		9965 000 16045	Front R Speaker Box CS8000SA	286	D3 x 10
0137	3139 118 18620	Cover Orn Headphone		9965 000 16046	Rear L Speaker Box CS8000SA	287	D3 x 10
0138	3139 114 76780	Bracket Top Control		9965 000 16047	Rear R Speaker Box CS8000SA	288	D3 x 10
0139	3139 118 17390	Button Top Control Chrome				290	D3 x 10
0229	3139 111 01460	Spring Clip IC	Note :	Only the parts mentioned in this list are normal		291	M3 x 6
0253	3139 114 76330	Bracket Fan Top		service spare parts.		292	M3 x 6
0254	3139 111 01470	Spring Grounding				293	D3 x 10
0255	3139 114 75770	Bracket AV PCB				294	M3 x 6
0256	3139 114 75790	Bracket Shield DVD				295	D3 x 8
0259	3139 114 75780	Bracket PCB Mains				296	D3 x 8
0261	3139 113 27220	Foot Rubber				297	M3 x 6
0263	3139 113 27300	Insulation Transformer				298	M3 x 8
0350	3139 118 79720	Box Spk Assy CS8000SA/17S				299	D3 x 10
0351	4822 303 50063	FM Aerial				300	M3 x 6
0352	3139 118 79670	Subwoofer SW8000SA/00S				301	D3 x 10
0354	3139 118 79910	Stands Speakers				302	D3 x 10
0356	3139 238 02020	Remote Control					
0360	3139 111 01661	Scart Cable Assembly					
0361	3103 308 92610	Cable Audio 2X2 RCA Male 1,5M					
0362	2422 076 00374	Cable Cinch 1,5MGN/BU/RD (YUV)					
0384	4822 303 50082	Antenna AM Loop					
0385	2422 070 98151	△ Mains Cord					
0387	3139 115 22481	Instruction For Use					
1110	4822 361 11161	Fan KD1206PTS3					
1111	3139 118 79900	LCD Module					
1601	3139 110 35490	FFC Foil 05P/140/05P BD					
1602	3139 111 01560	FFC Foil 24P/120/24P BD 1mm FD					
1603	3139 110 34100	FFC Foil 04P/140/04P BD					